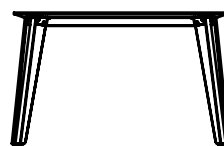
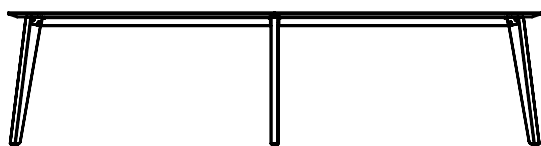
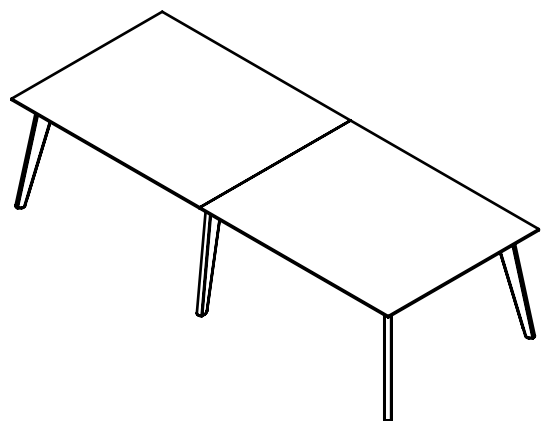
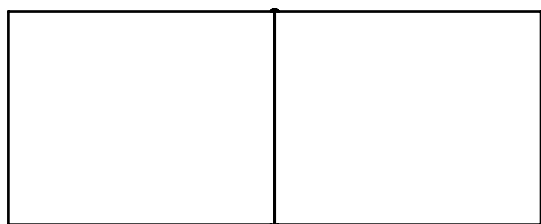
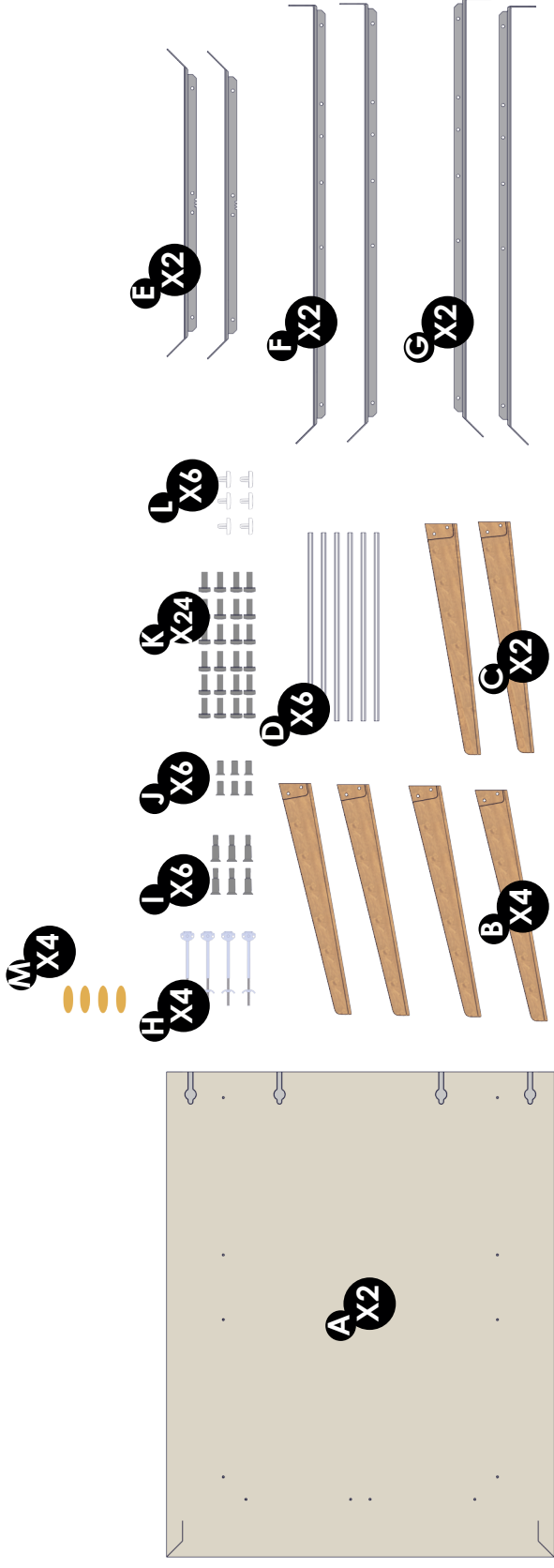


Cubb Tables

2 Leaf Table work instructions



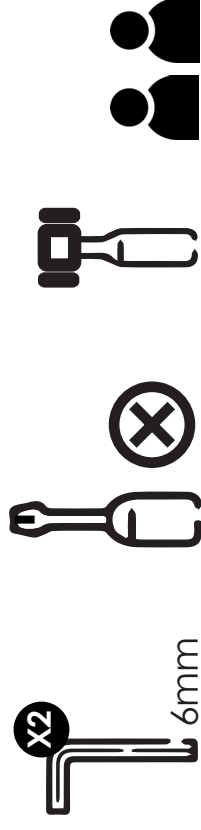
Sample BOM



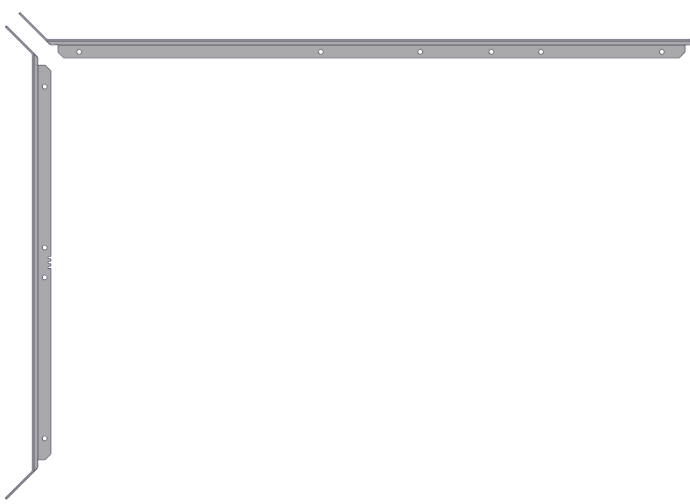
Parts List

- X2** Tabletop - Model Dependant
- X4** Oak Corner Leg - 2531-0286
- X2** Oak Middle Leg - 2531-0285
- X2** Metal Support RH - Model Dependant
- X2** Metal Support LH - Model Dependant
- X4** Dogbone - 7000-0652
- X1** Fixing Kit - 5938-2742
- X6** Cable Cover - 1135-0092
- X6** Glide - 1020-2456
- X4** Biscuit

Tools Required (not supplied)

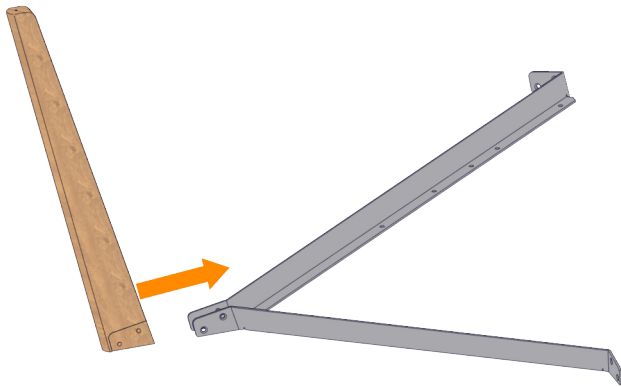


1



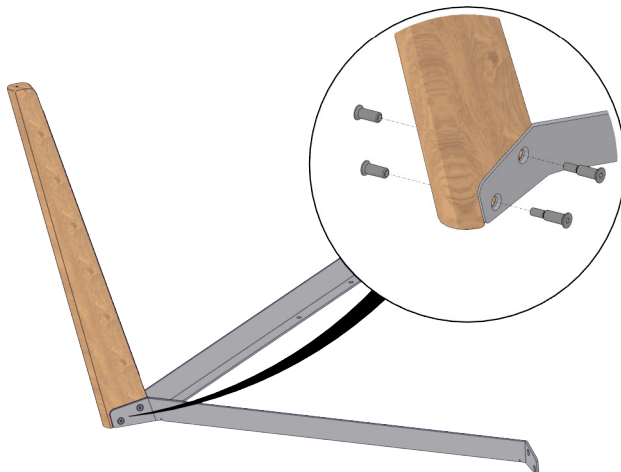
E F


2



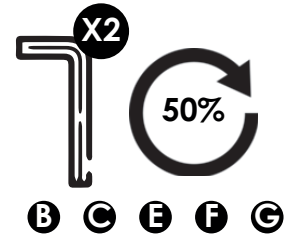
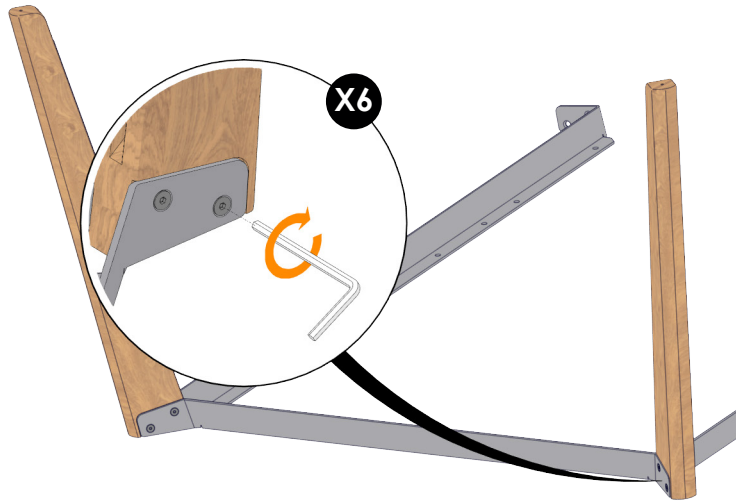
X2 
 C E F

3

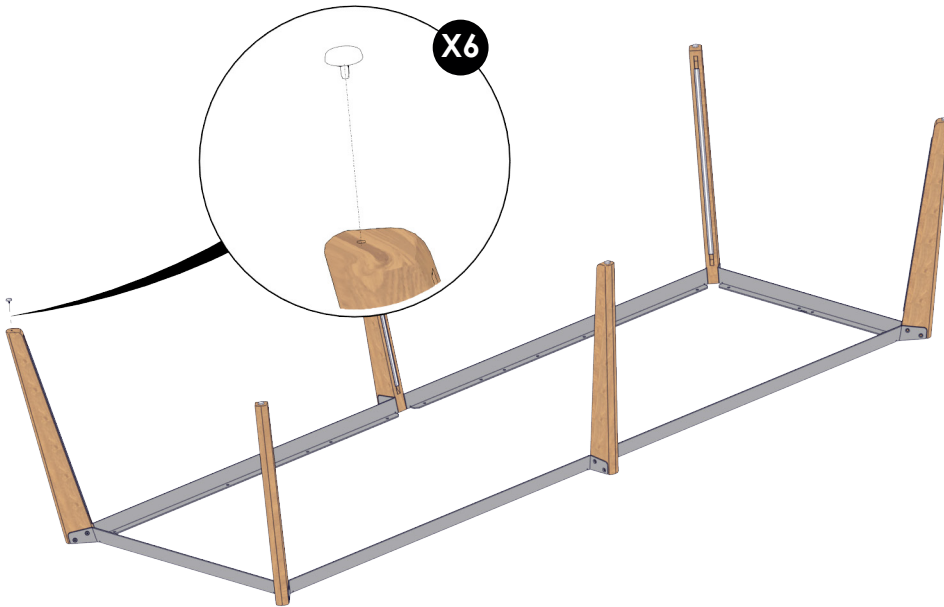


X2 
 50%
 I J

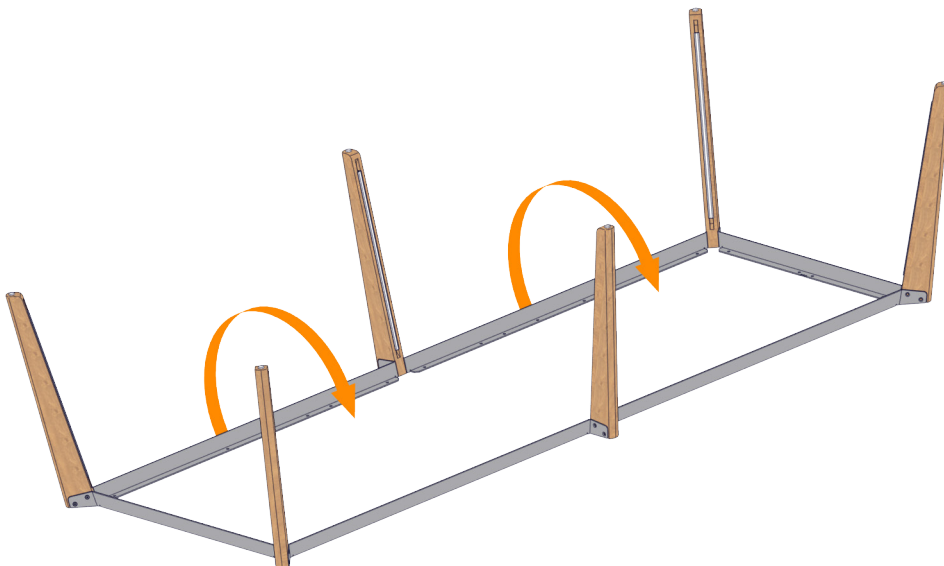
4



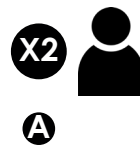
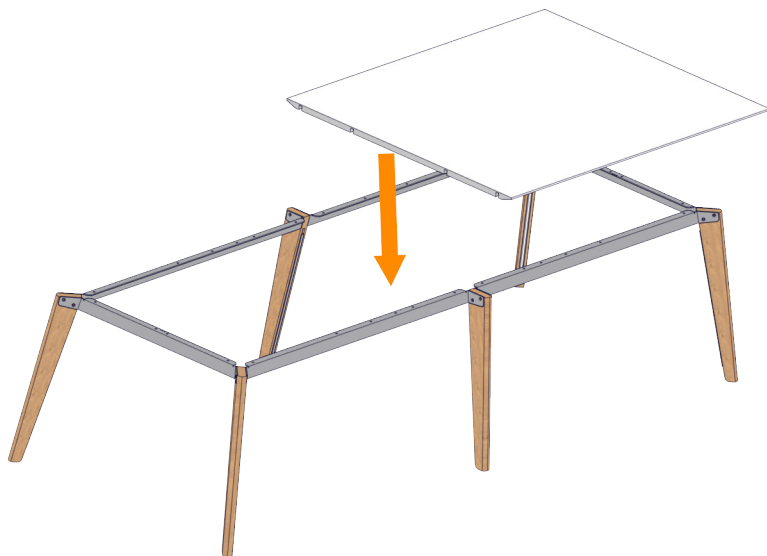
5



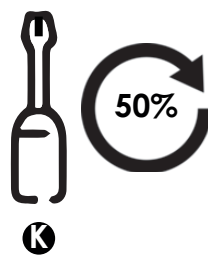
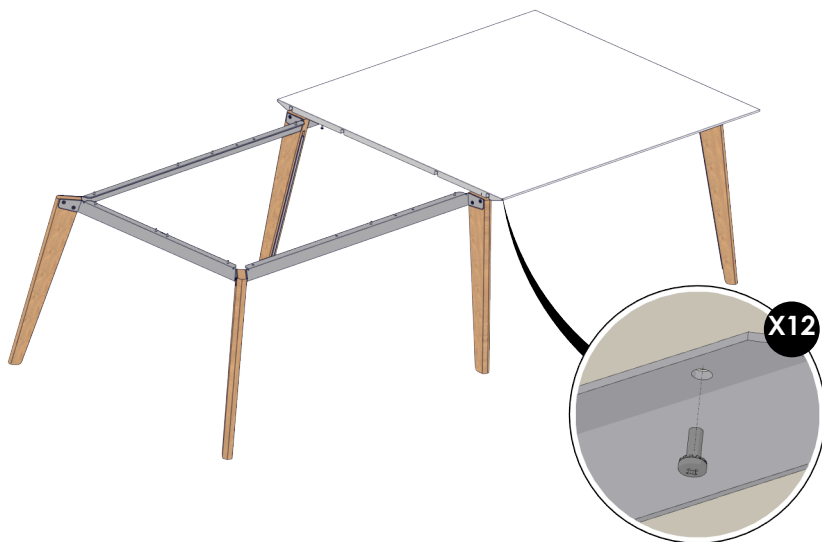
6



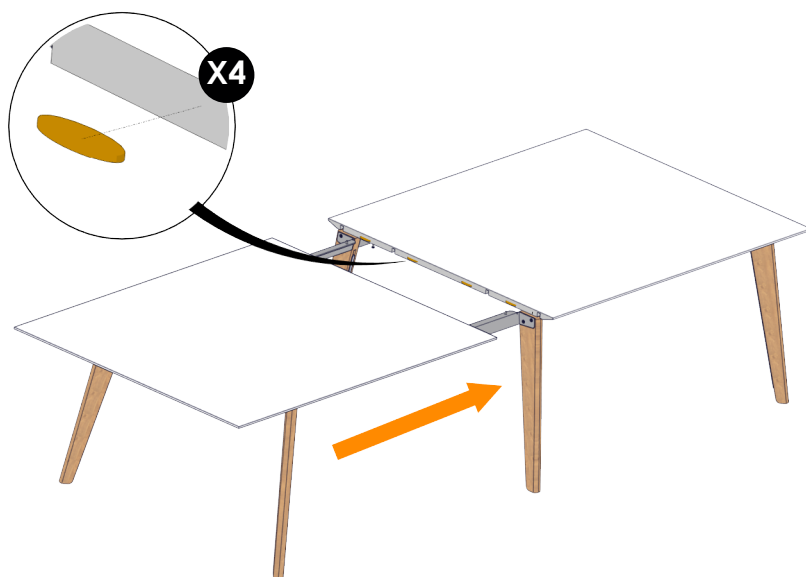
7



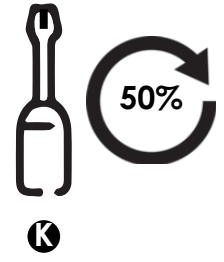
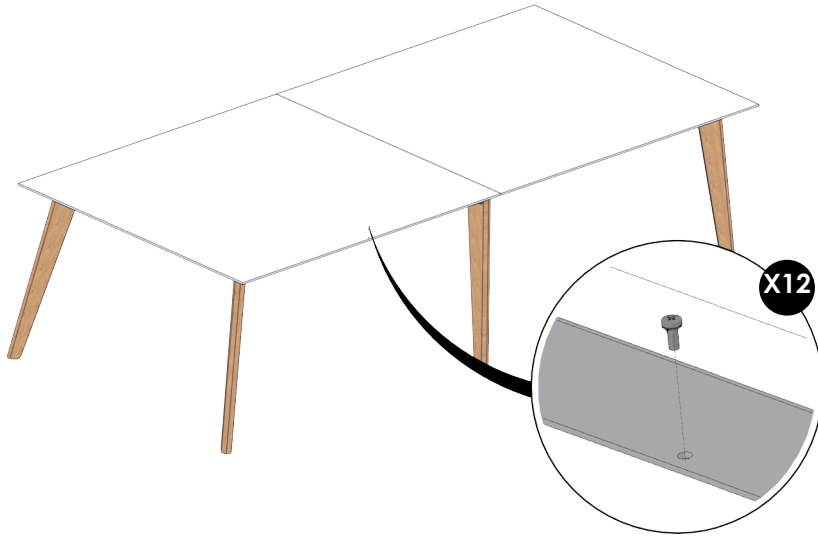
8



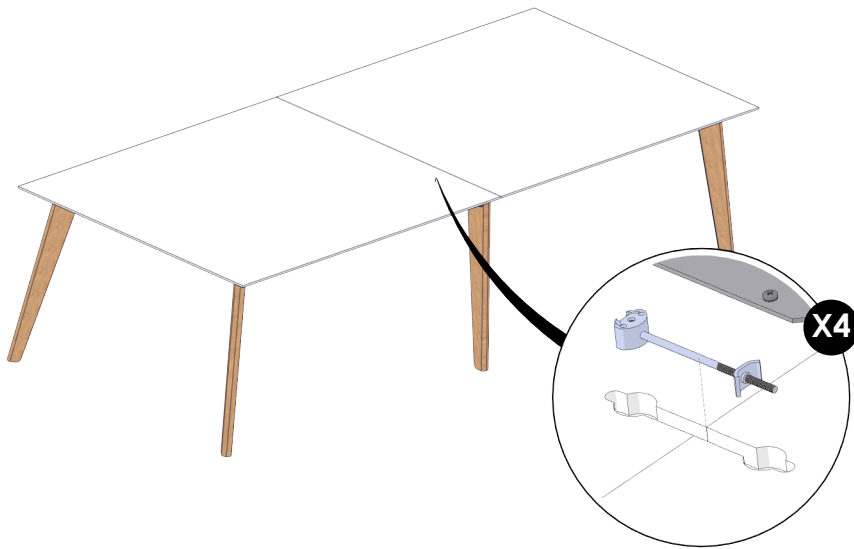
9



10

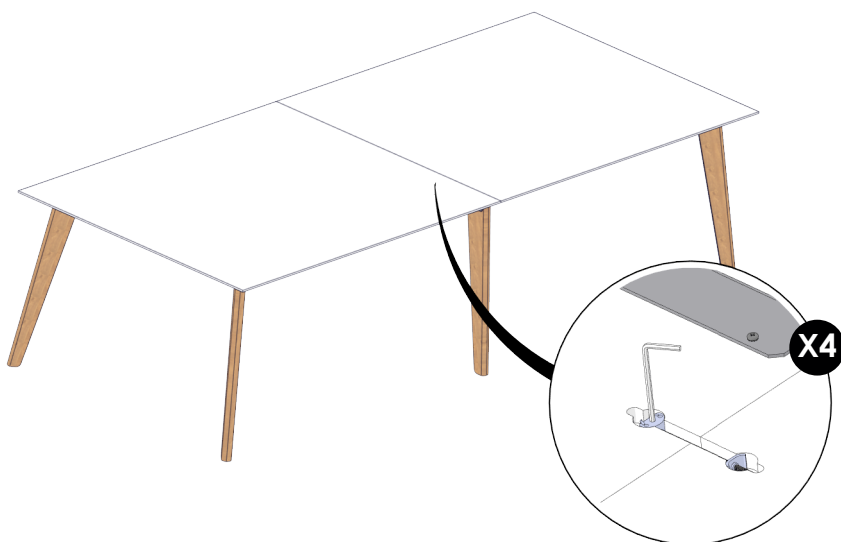


11

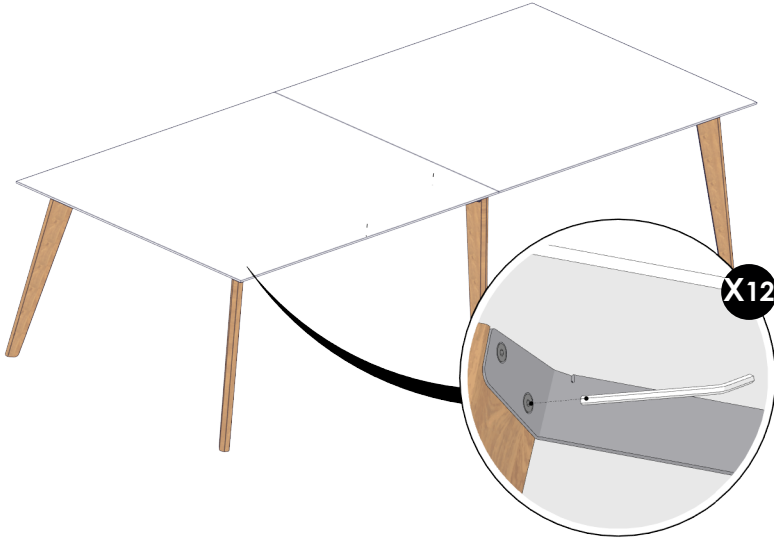


H

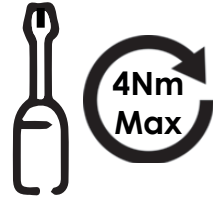
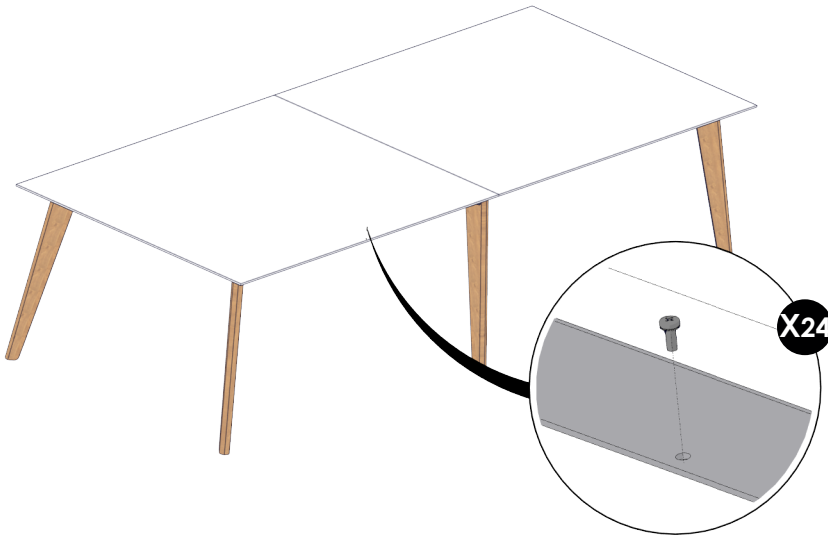
12



13



14



15

