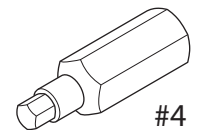
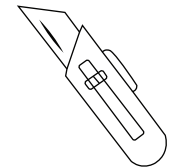
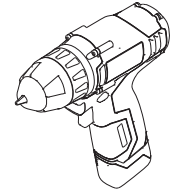
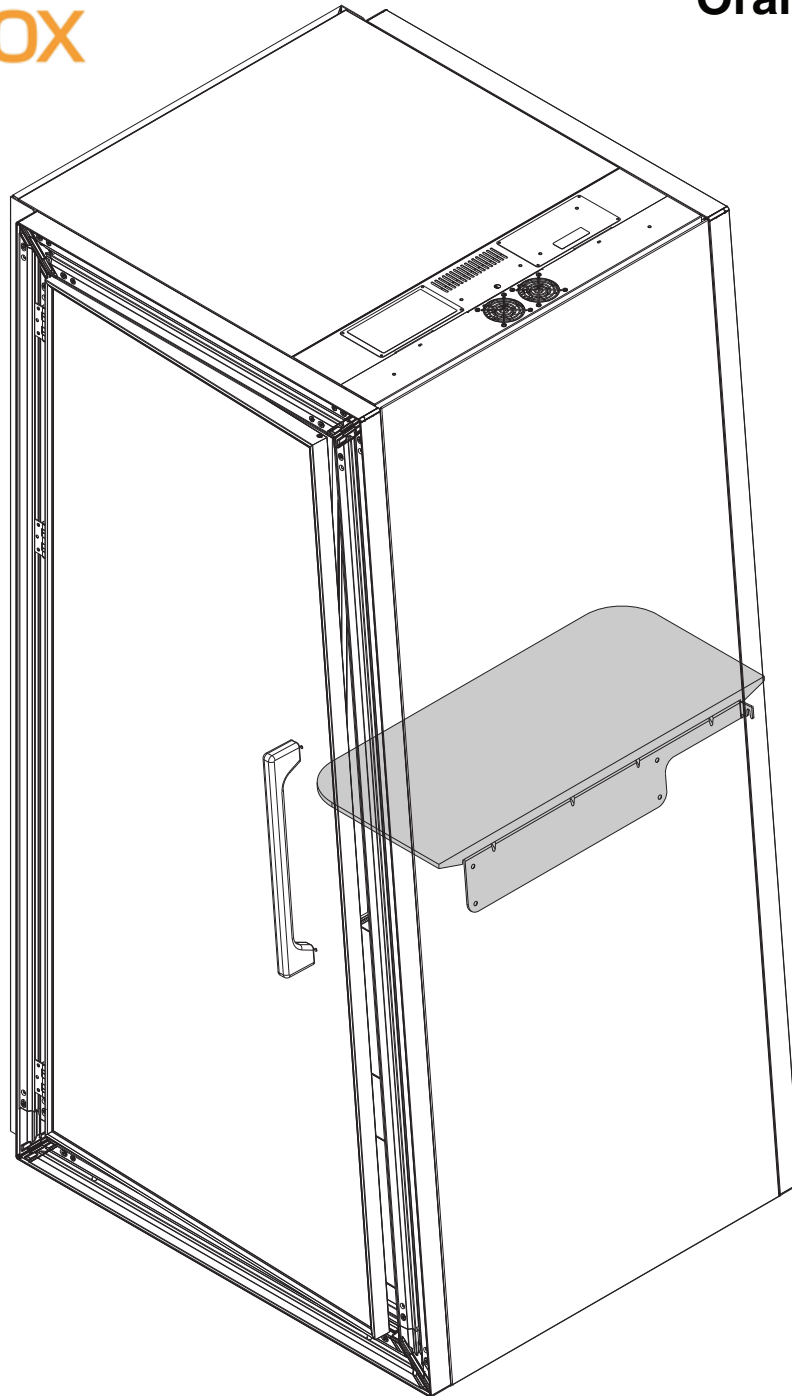
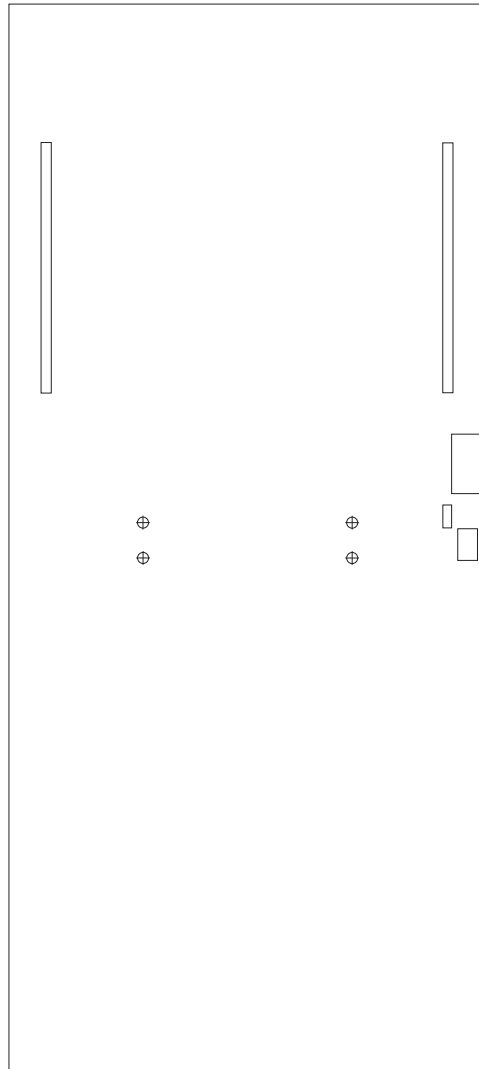


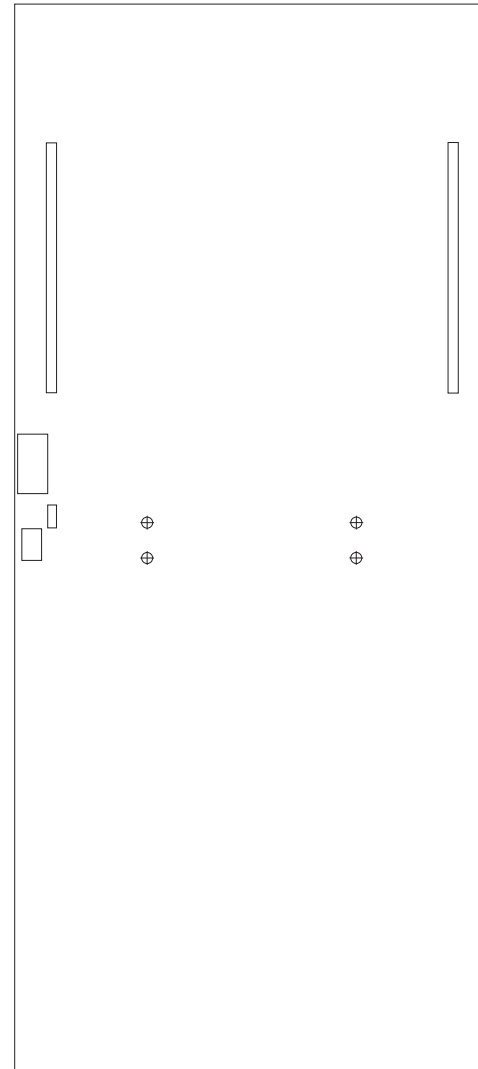


Orangebox - On the Q.T. Shelf Retrofit Customer Service Instructions





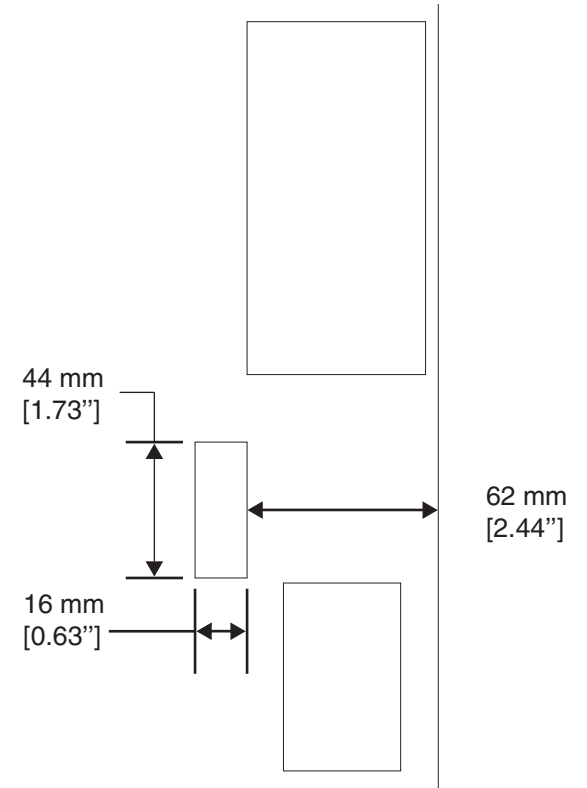
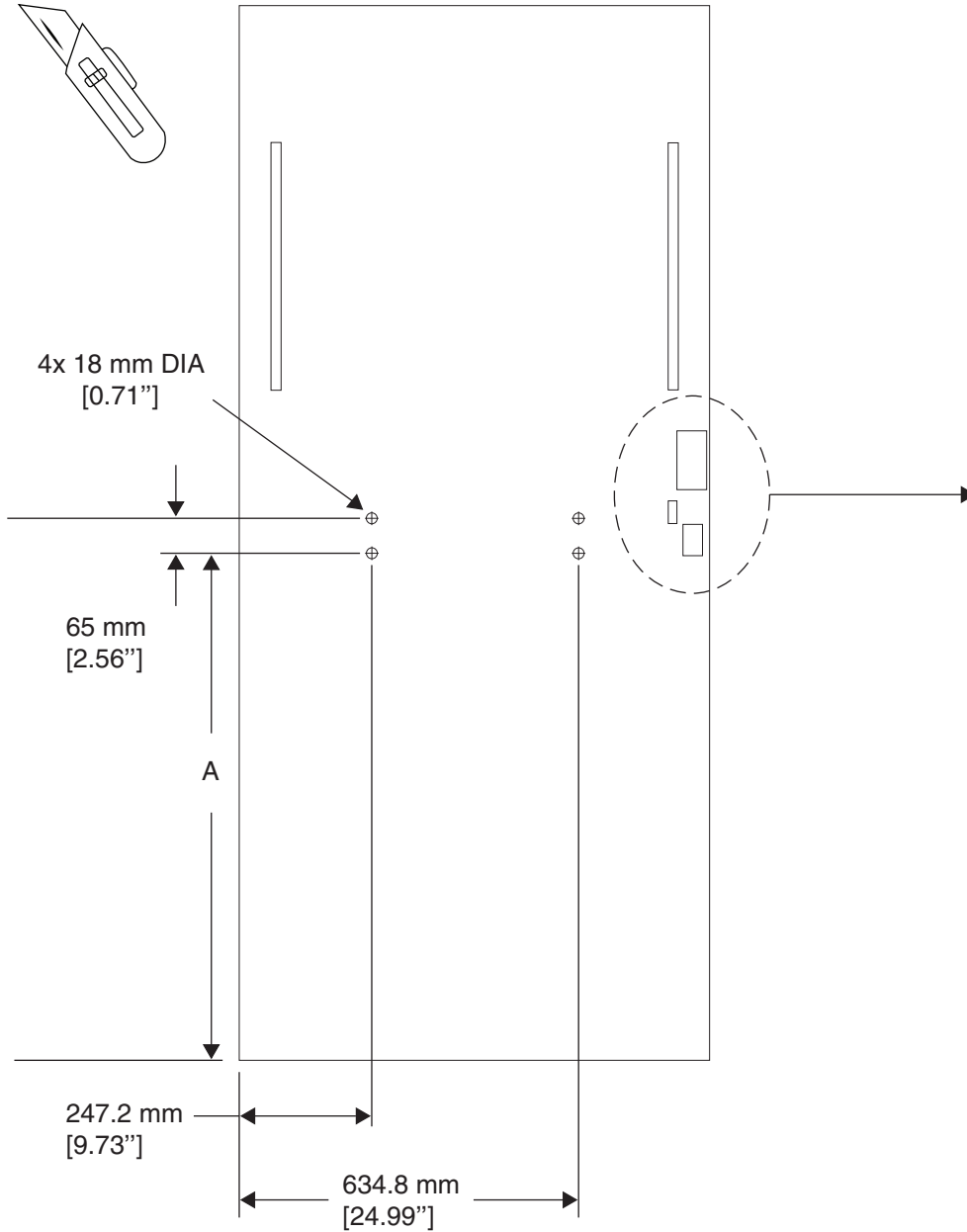
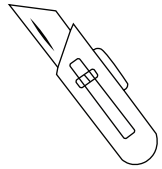
RH POD



LH POD

orangebox

1



| | |
|-------------------|-------|
| A | |
| 630 mm [24.8"] | SHORT |
| 953.2 mm [37.53"] | TALL |

2

