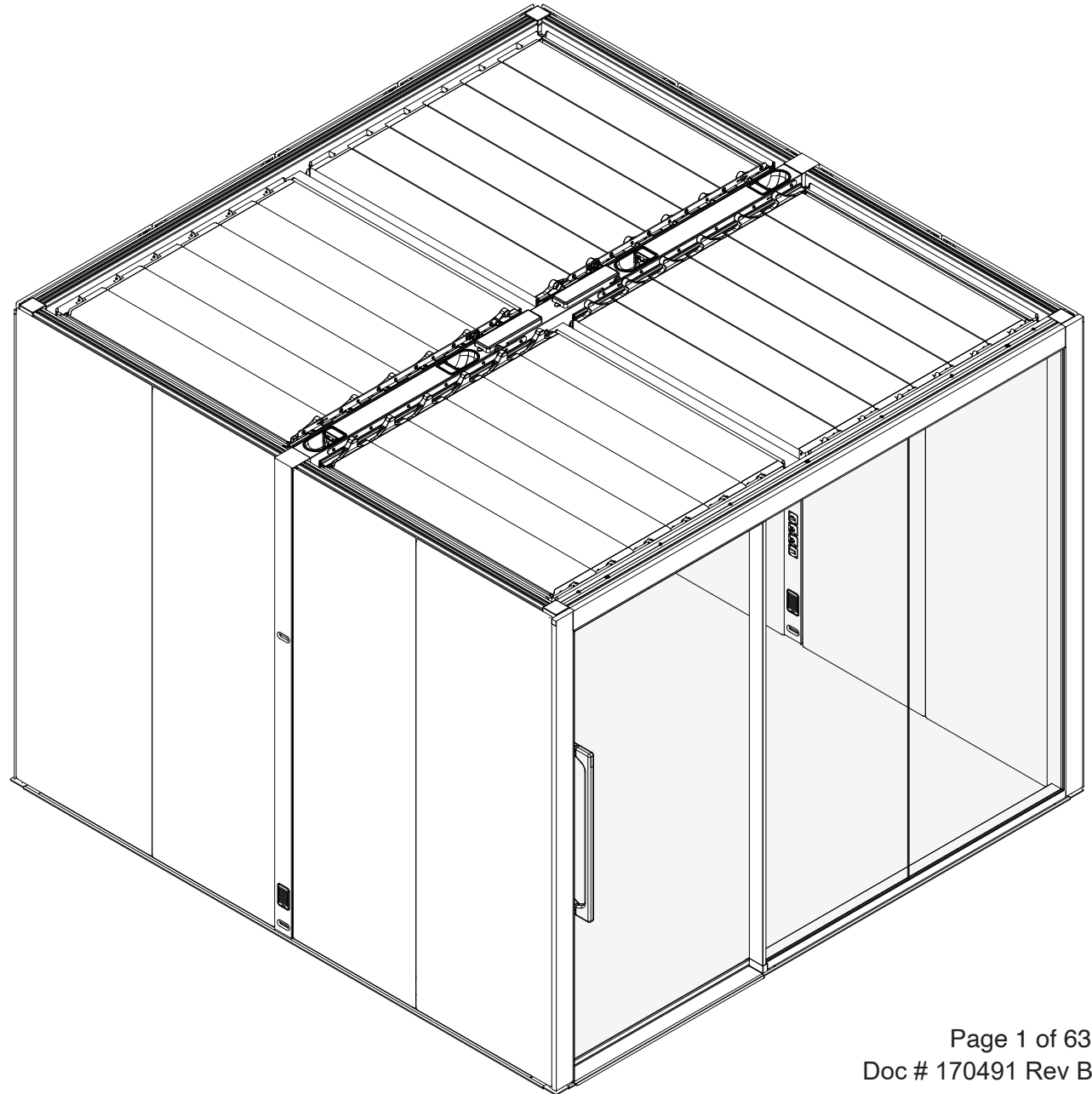


\*LH shown


\*RH is mirrored



Assembly Directions, Installation Videos  
and Troubleshooting Guides can be found  
by scanning this QR code or by visiting  
[ussupport.orangebox.com](http://ussupport.orangebox.com)



⚠ WARNING



Assembly Directors at  
www.steelcase.com

**Risk of Fire, Injury or Electrical Shock.**

- The roof surface is not load bearing. Do not put any objects on the roof surface.
- When installed in accordance with installation instructions provided with each carton, may be used beneath sprinklers subject to Authorities Having Jurisdiction.
- Only use in locations with standard response sprinklers. See installation instructions for additional information.
- Do not block or obstruct fan vents and grills.
- Do not drill holes in or attempt to hang items on product.
- Operating temperature 10-26 degrees Celsius.
- Relocation of product to be performed only by professional installers trained and certified by Orangebox. DO NOT push the product to move.
- Read instructions before opening covers/making electrical connection.
- Isolate mains power before removing access panels & disconnecting electrical components.
- This device must be grounded.

⚠ AVERTISSEMENT


**Risque d'incendie, de blessure ou de choc électrique.**

- La surface du toit ne peut supporter de poids. Ne placez aucun objet sur le toit.
- Lorsqu'il est installé conformément aux instructions d'installation fournies avec chaque carton, peut être utilisé sous les gicleurs sous réserve des Autorités Compétentes.
- N'utilisez que dans les endroits avec des gicleurs d'intervention standard. Consultez les instructions d'installation pour plus d'informations.
- Ne bloquez pas ou n'obstruez pas les sorties des ventilateurs ni les grilles.
- Ne percez pas de trous dans la paroi et ne suspendez aucun objet à la produit.
- Température de fonctionnement entre 10 et 26 degrés Celsius.
- Le produit doit uniquement être déplacée par des installateurs professionnels, formés et certifiés par Orangebox. ÉVITEZ de pousser sur la produit pour la déplacer.
- Lisez les directives avant d'ouvrir les couvercles ou de faire les branchements.
- Isolez l'alimentation secteur avant de retirer les panneaux d'accès et de déconnecter les composants électriques.
- Cet appareil doit être mis à la terre.

⚠ ADVERTENCIA

**Riesgo de incendio, lesiones o descarga eléctrica.**

- La superficie del techo no soporta carga. No coloque ningún objeto sobre la superficie del techo.
- Cuando se instala de acuerdo con las instrucciones de instalación proporcionadas con cada caja, se puede usar debajo de rociadores sujetos a las Autoridades Competentes.
- Solo uselo en lugares con rociadores de respuesta estándar. Consulte las instrucciones de instalación para obtener información adicional.
- No bloquee ni obstruya las rejillas y conductos de ventilación de los ventiladores.
- No taladre orificios ni intente colgar artículos en la producto.
- La temperatura de funcionamiento es de 10 a 26 grados Celsius.
- Se debe realizar la reubicación del producto únicamente por instaladores profesionales capacitados y certificados por Orangebox. NO empuje la producto para moverla.
- Lea las instrucciones antes de abrir las tapas / hacer la conexión eléctrica.
- Aisla la energía de la red antes de quitar los paneles de acceso y desconectar los componentes eléctricos.
- Este dispositivo debe estar conectado a tierra.



For Commercial Use Only  
Solo Para Uso Comercial  
À Usage Commercial Uniquement

**LISTED**  
E332997


Conforms to UL Std 962  
Certified to CSA C22.2 #68



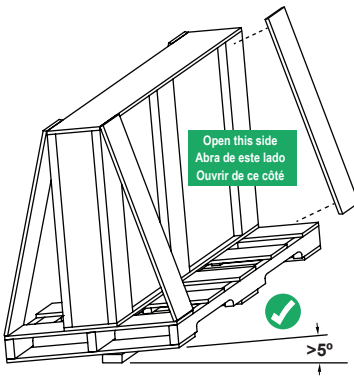
FCC ID: SZV-PTM210U  
IC: 5713A-PTM210U  
FCC ID: 2ADCB-BRM1  
IC: 6715C-BRM1


Contains:  
FCC ID: 2ALA3-CBM002A  
IC: 22496-CBM002A  
or FCC ID: 2ALA3-CBM003A  
IC: 22496-CBM003A

⚠ WARNING ⚠ ADVERTENCIA ⚠ AVERTISSEMENT







READ DIRECTIONS AND MANUAL FIRST  
LEA PRIMERO LAS INSTRUCCIONES Y EL MANUAL  
LISEZ D'ABORD LES DIRECTIVES ET LE GUIDE





RISK OF SERIOUS INJURY  
RIESGO DE LESIONES GRAVES  
RISQUE DE GRAVES BLESSURES!


Safety Instructions    Instrucciones de Seguridad    Consignes de Sécurité

- Before opening, ensure crate is stable and tilted at least 5 degrees to prevent glass from falling out.
- To open, cut any bands first and pry off boards on front of crate.
- Before removing glass, check crate and remove protruding nails or screws that could scratch glass.
- Wear appropriate personal protective equipment (safety glasses, gloves, safety shoes and skin protection).
- Tempered Glass is very heavy and can shatter while handling. Use two or more people to handle glass.
- Handle carefully. A scratched surface, damaged surface, or edge impact can cause the glass to shatter suddenly into sharp pieces.

- Antes de abrir, asegúrese de que la caja esté estable e inclinada al menos por 5 grados para evitar que el vidrio se salga de la caja.
- Para abrir, corte primero las bandas de embalaje y luego separe las tablas del frente de la caja.
- Antes de retirar el vidrio, chequee la caja y quite los clavos o tornillos salientes que puedan rayar el vidrio.
- Use el equipo apropiado de protección personal (gafas de seguridad, guantes, zapatos de seguridad y protección para la piel).
- El vidrio templado es muy pesado y se puede romper durante su manipulación. Use dos o más personas para manipular el vidrio.
- Manéjelo con cuidado. Una superficie rayada o dañada, o el impacto sobre el borde pueden causar que el vidrio se rompa de repente en trozos afilados.

- Avant d'ouvrir, assurez-vous que la caisse à claire-voie est stable et inclinée d'au moins 5 degrés pour éviter que la vitre bascule hors de la caisse.
- Pour ouvrir, coupez d'abord les bandes d'emballage, puis écartez les bords sur le devant de la caisse.
- Avant de retirer la vitre, vérifiez la caisse et enlevez les clous ou les vis qui pourraient dépasser et qui pourraient égratigner la vitre.
- Portez de l'équipement de protection individuelle approprié (lunettes de sécurité, gants, chaussures de sécurité et vêtements de protection).
- Le verre trempé est très lourd et peut se briser en éclats lorsqu'on le manipule. Au moins deux personnes sont nécessaires pour manipuler la vitre.
- Manipulez avec soin. Une surface égratignée ou endommagée ou encore un choc sur le rebord peut faire en sorte que le verre se brise soudainement en éclats tranchants.



1/888-783-3522  
Steelcase.com

1062515001 rev B

**EN:**  
**DO NOT** overload socket receptacles.  
**DO NOT** plug any of the following into socket receptacles:

- vacuum cleaners
- heaters
- air conditioning units
- extension cords/leads
- other high amperage equipment

Connect only computer equipment & associated peripherals into socket receptacles.

**FR:**  
**NE PAS** surcharger les prises de courant.  
**NE PAS** brancher l'un des éléments suivants dans les prises de courant:

- aspirateurs
- appareils de chauffage
- conditionneurs d'air
- rallonges/fils électriques
- autres équipements à haute teneur en ampérage

Connecter uniquement le matériel informatique et les périphériques associés dans la prise.

**ES:**  
**NO** sobrecargue los receptáculos de la toma de corriente.  
**NO** enchufe ninguno de los siguientes en receptáculos de la toma de corriente:

- aspiradoras
- calentadores
- unidades de aire acondicionado
- cables de extensión / cables
- otros equipos de alto amperaje

Conecte solo equipos informáticos y periféricos asociados en el enchufe receptáculos.



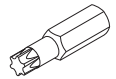
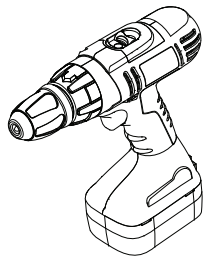
## Table of Contents

Step 1	Base Track.....	12
Step 2	Service Hoop.....	13
Step 3	Rear Frame.....	15
Step 4	Front Frame.....	18
Step 5	Verify Square & Level Base.....	25
Step 6	Acoustic Panels.....	26
Step 7	Glass.....	28
Step 8	Door.....	37
Step 9	Roof.....	45
Step 10	Fascia & Panels.....	48
Step 11	Door - Final Alignment.....	56
Step 12	Trim Cover.....	58
Step 13	Door Seal.....	59
Optional	Seismic Kit.....	60
Step 14	Cleaning.....	63

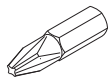
## Tools



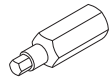
 No Impact Driver



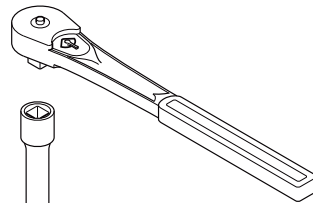
T20 T25



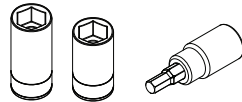
#2



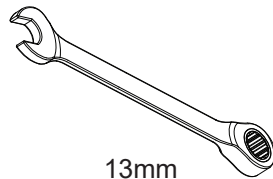
M10 M8 M6  
M4 M3



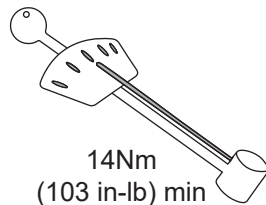
3/8"x4"



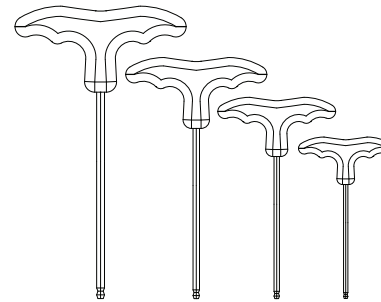
3/8"x10mm 4mm  
3/8"x13mm 5mm



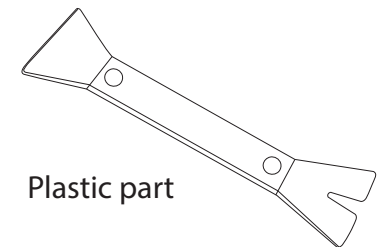
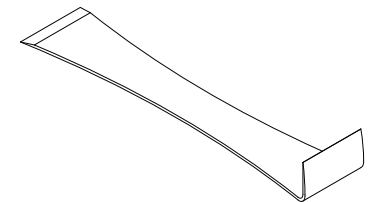
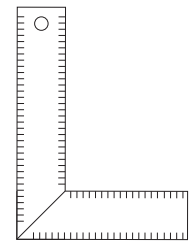
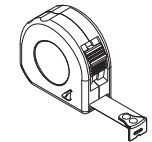
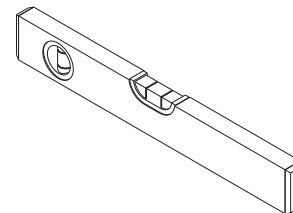
13mm



14Nm  
(103 in-lb) min

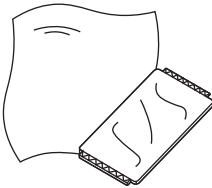
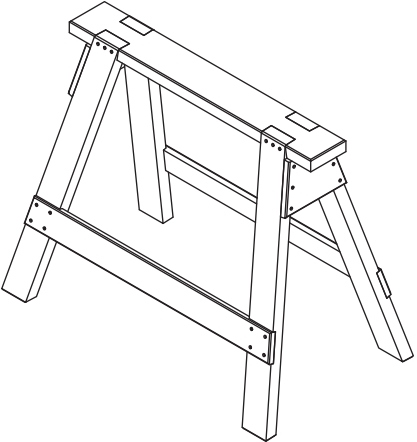
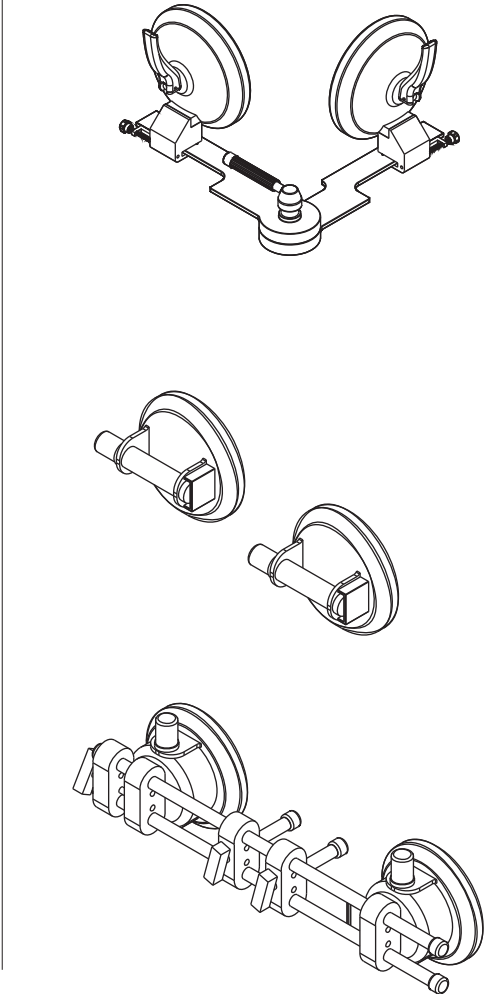
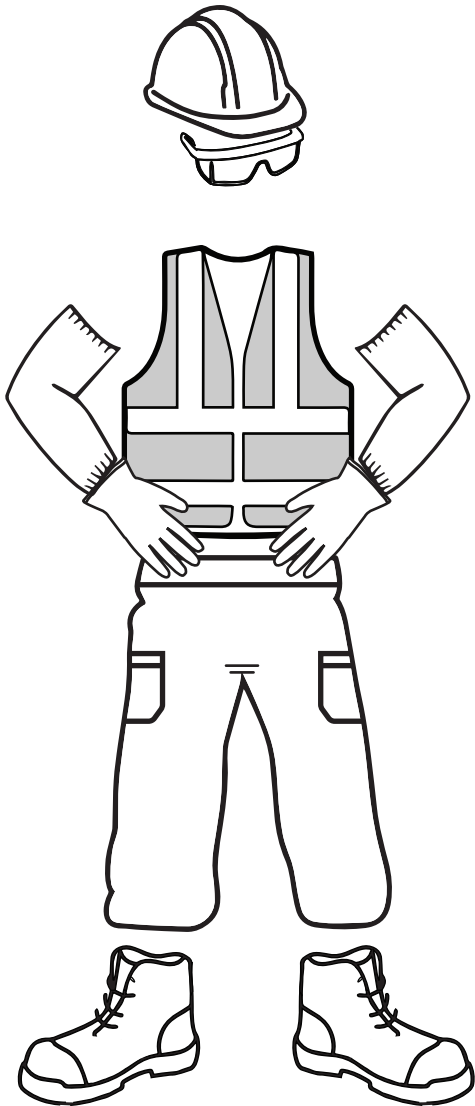


M10 M8 M6  
M5 M4 M3



Plastic part

## Tools and Gear



Alcohol wipes  
(located in the door hardware kit)



Glass Cleaner

## Metric Fasteners - Socket Screw Torque and Specifications

### Metric Fasteners - Socket Screws Torque Figures, Alloy Steel

Size	Socket Head Cap, 12.9	Low Head Socket Cap, 10.9	Flat Head Cap, 12.9	Button Head Cap, 12.9	Socket Set Screw, 45H
<b>M4</b>	4.83 Nm	2.70 Nm	3.10 Nm	3.10 Nm	2.50 Nm
<b>M5</b>	10.00 Nm	5.40 Nm	6.10 Nm	6.10 Nm	5.00 Nm
<b>M6</b>	16.80 Nm	9.15 Nm	10.50 Nm	10.50 Nm	8.50 Nm
<b>M8</b>	41.00 Nm	22.00 Nm	26.00 Nm	26.00 Nm	20.00 Nm
<b>M10</b>	81.00 Nm	44.00 Nm	52.00 Nm	52.00 Nm	40.00 Nm

## Hardware Packs

### 1 Base Track Hardware Kit 1



Screw - M10 X 25  
Qty: 2



Locknut - M6  
Qty: 8

### 3 Uprights and Crossmembers Hardware Kit 3



Screw - M10 X 25  
Qty: 22

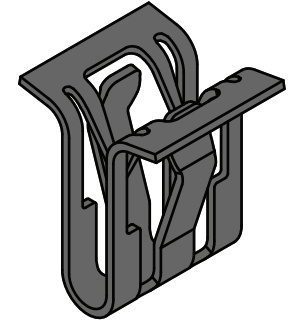


Screw - M6 X 18  
Qty: 2



Flanged Nut - M8  
Qty: 24

### Spare Parts



Panel Clips  
Qty: 10

### 2 Service Hoop Hardware Kit 2



Screw - M10 X 25  
Qty: 4



Screw - M8 X 40  
Qty: 4

### 6 Steel Panels Hardware Kit 6



Screw - M5 x16  
Qty: 96

### 7 Corner Infill Hardware Kit 7



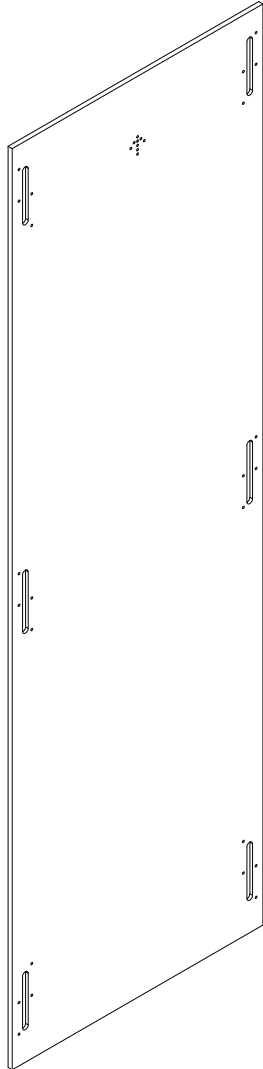
Screw - M6 X 8  
Qty: 21

### 9 Roof Cassettes Hardware Kit 9



Screw - M8 X 30 Qty: 4  
Service PN: 21646008

**Optional Panels**



**HPL Panel Parcels**

- 1529332001**
- 1529332002**
- 1529332003**

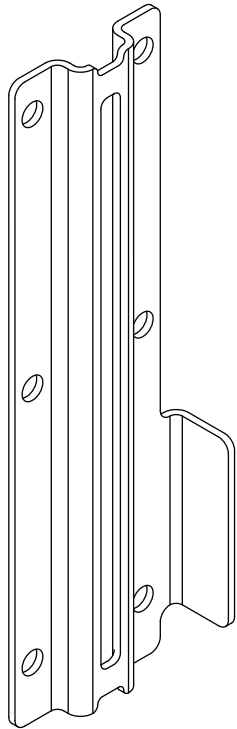
**Plywood Panel Parcels**

- 1546108001**
- 1546108002**
- 1546108003**

## Optional Packs

### HPL Panels Kit

Mounting Bracket  
Qty: 6



Screw - M6 X 10  
Qty: 24

### Plywood Panels Kit

Mounting Bracket  
Qty: 6



Stiffener - Short  
Qty: 2



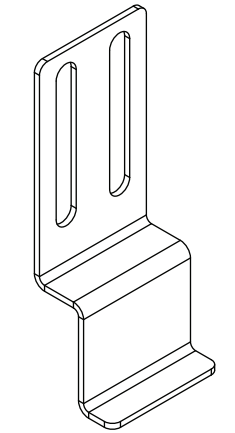
Screw - M6 X 10  
Qty: 56



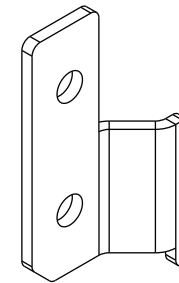
Stiffener - Long  
Qty: 2



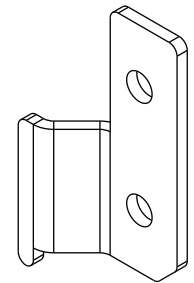
### Seismic Kit



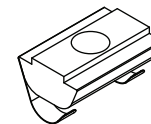
Seismic  
Bracket - Roof  
Qty: 8



Seismic  
Bracket - Floor  
Qty: 3



Seismic  
Bracket - Floor  
Qty: 3

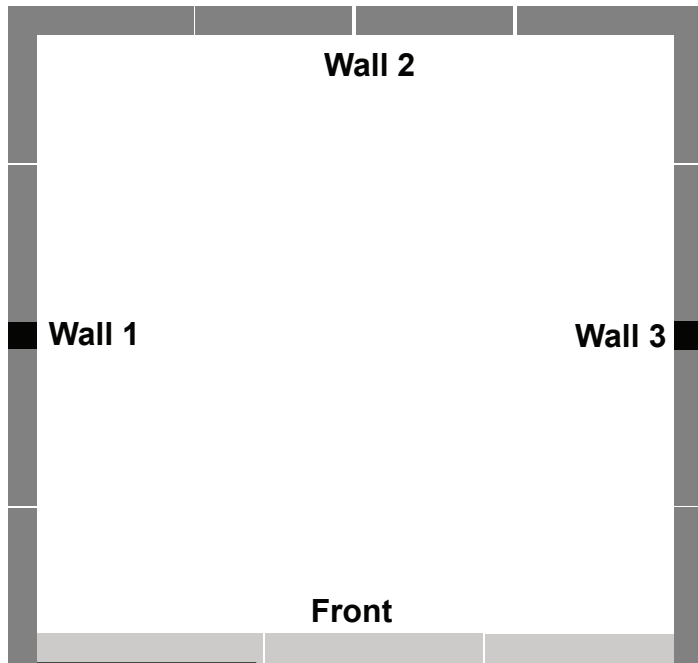


T-Nut  
Qty: 16



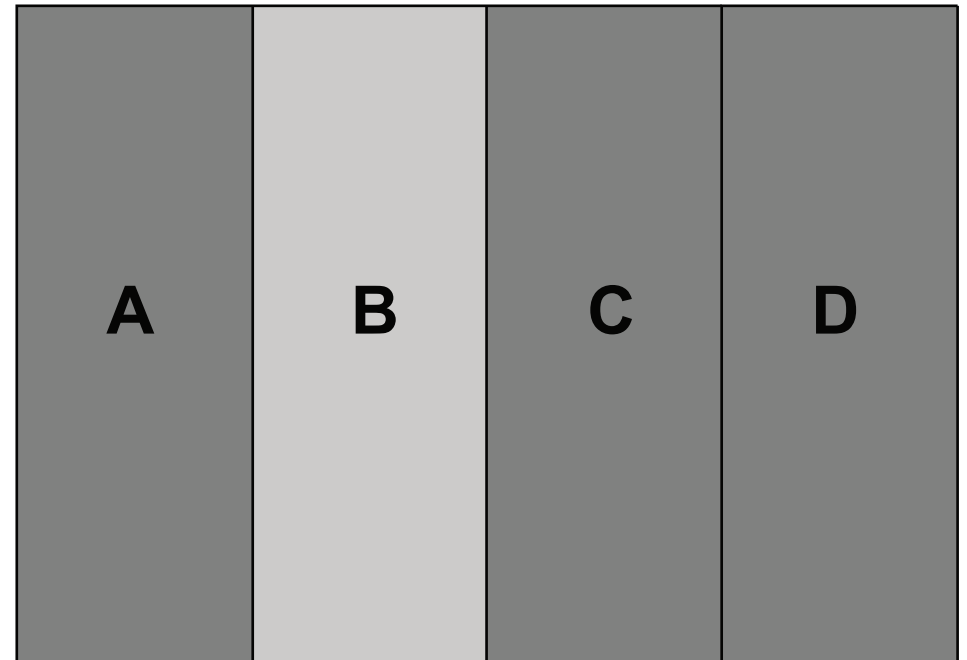
Screw - M6 X 8  
Qty: 16

## Wall and Panel Position



Wall and panel positions always start from the left.

## Vertical Panels



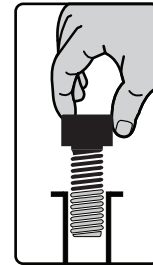
Application Rules:

Only a single panel will be specifiable as contrasting.

## Step 1.1 Base Track Assembly

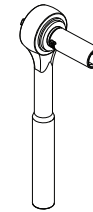


! No Power Tools !



Hand start  
all fasteners.

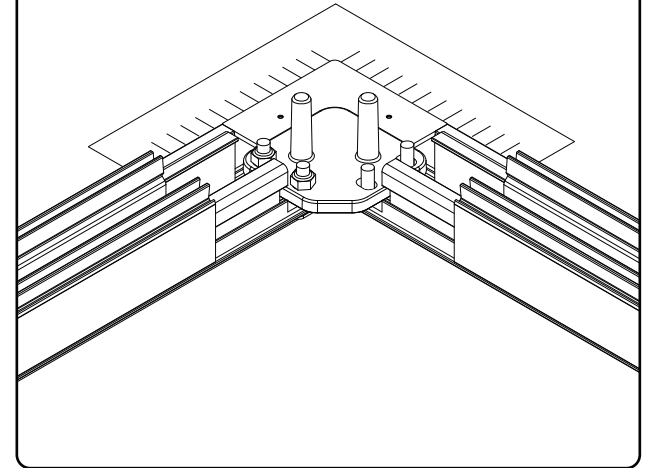
10mm



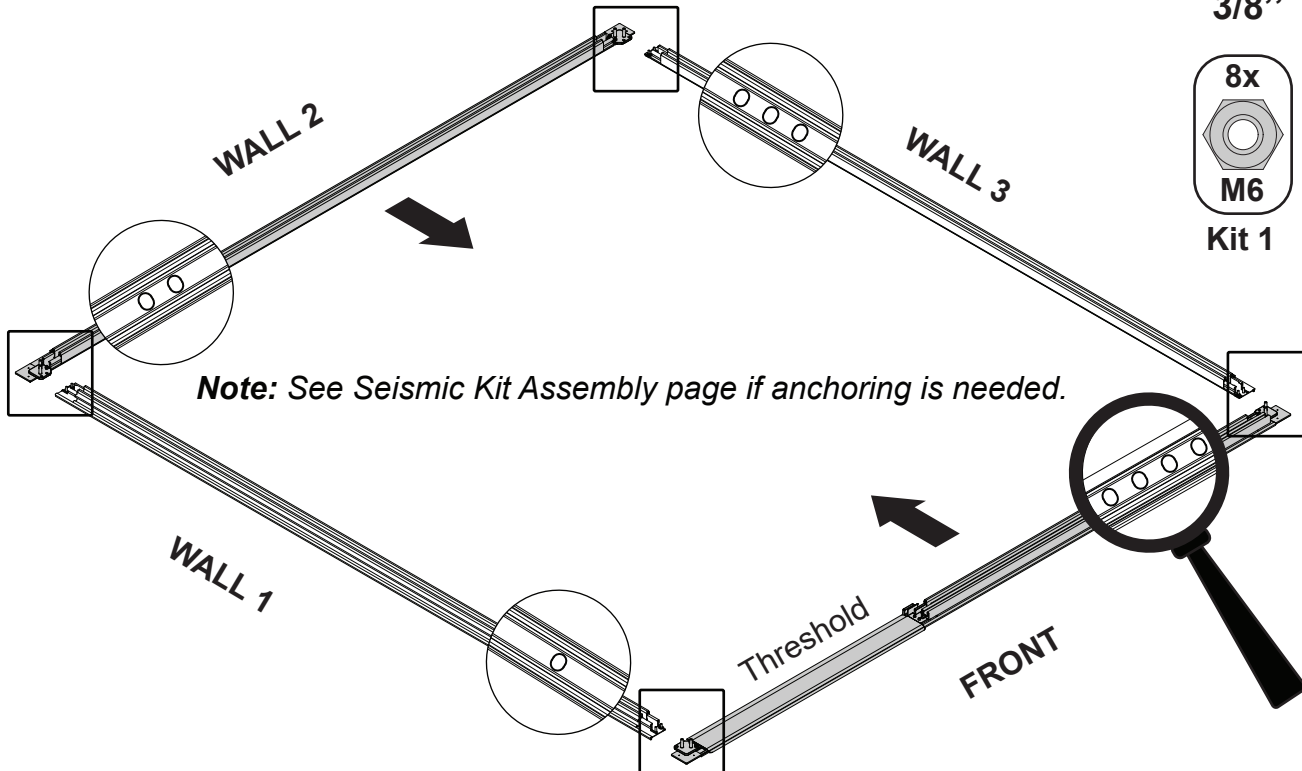
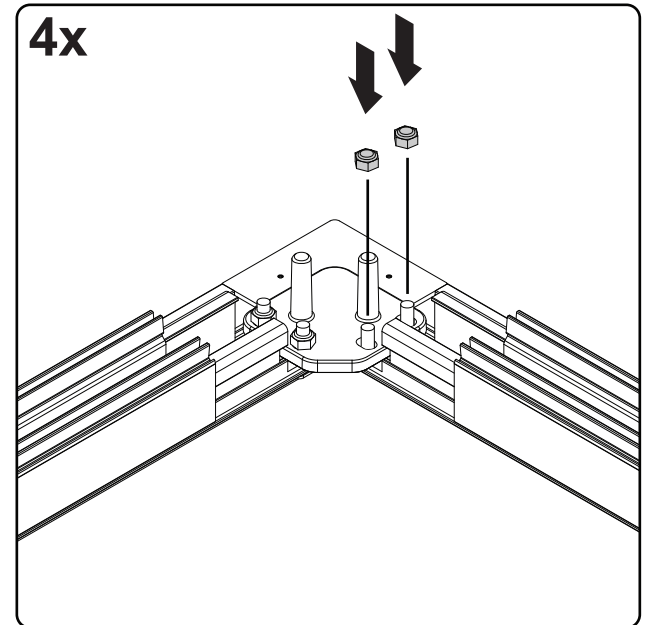
3/8"



4x



4x

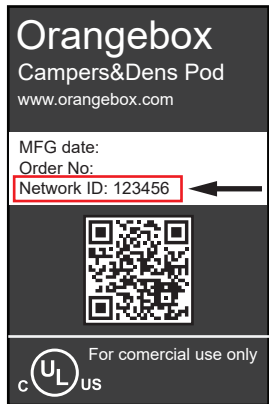


Note: See Seismic Kit Assembly page if anchoring is needed.

## Step 2.1 Service Hoop Assembly

For multiple Pods installation:  
Locate the Product ID label on each part and  
ensure Network ID on the 3 boxes/parts are identical.

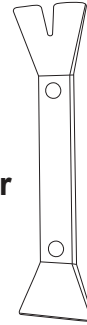
### Product ID Label



Sample

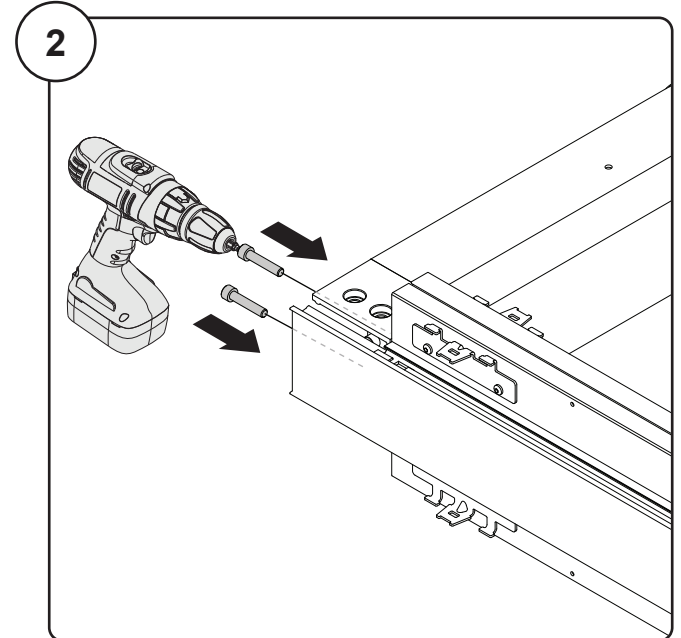
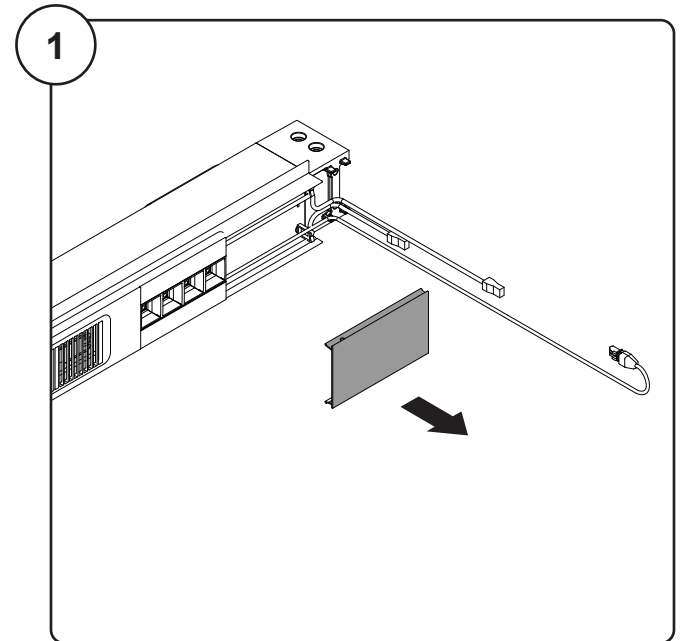


**No Impact Driver**



**Do not pinch wires.**

**M8x40**  
**4x Kit 2**



Label Location  
(top of part)

Label Location  
(power side)

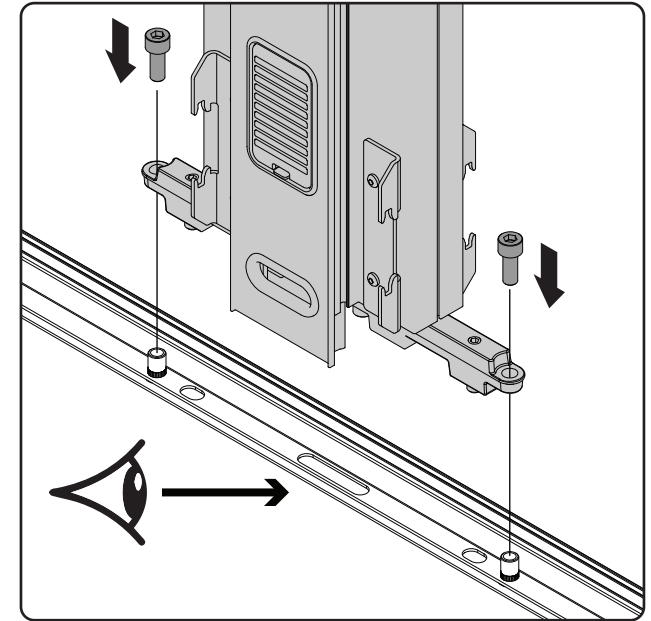
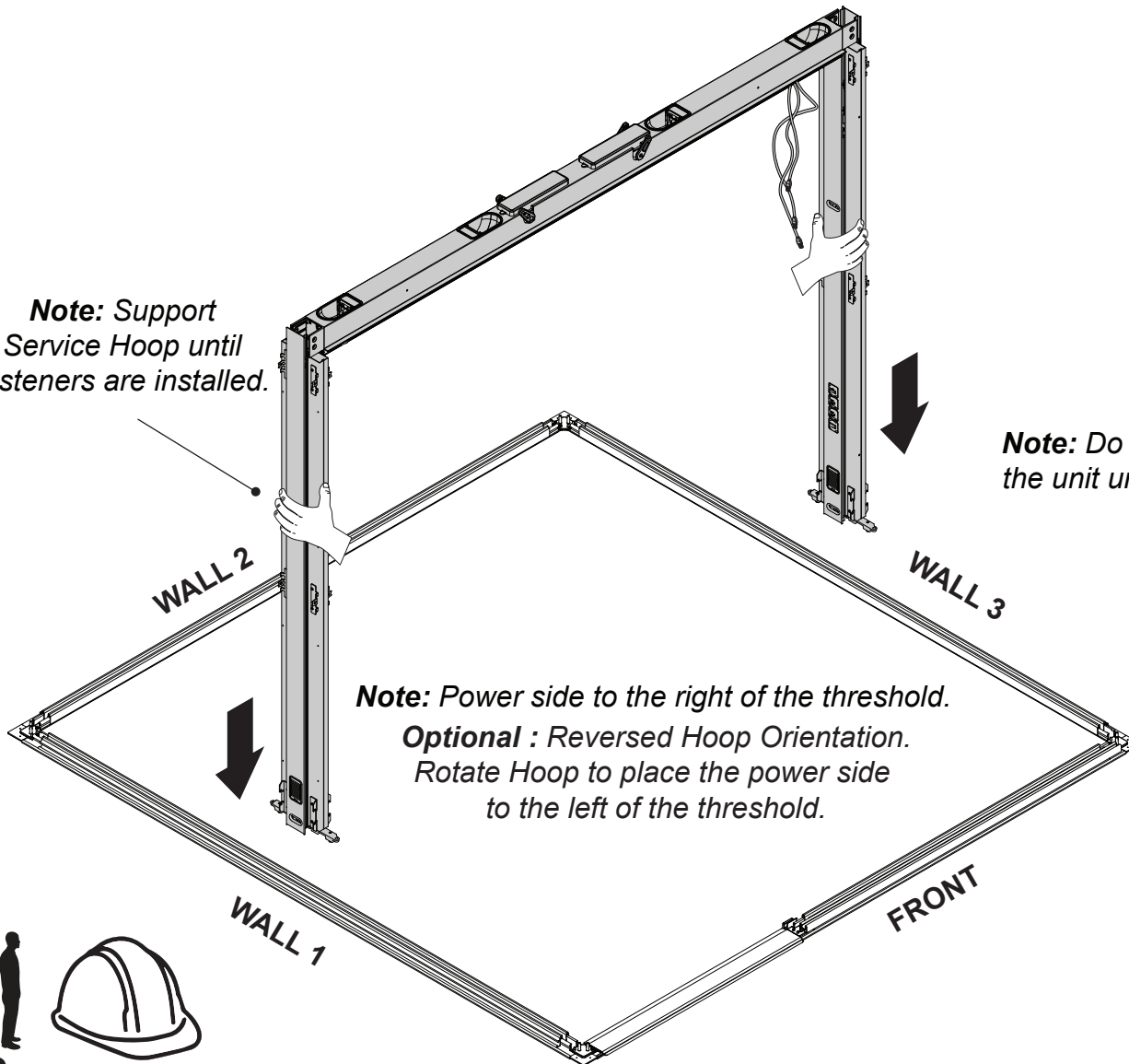
**Note: Do not set down on switches.**

**6mm**

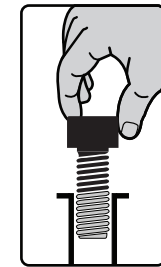
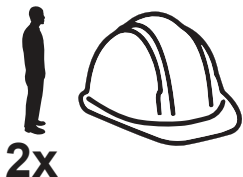
Label Location  
(switch side)

## Step 2.2 Service Hoop - Install to base

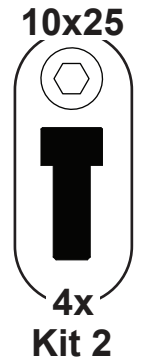
*Note: Support Service Hoop until fasteners are installed.*



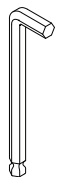
*Note: Do not plug in the unit until step 9.2*



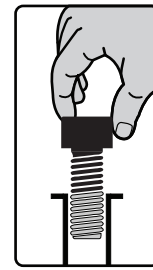
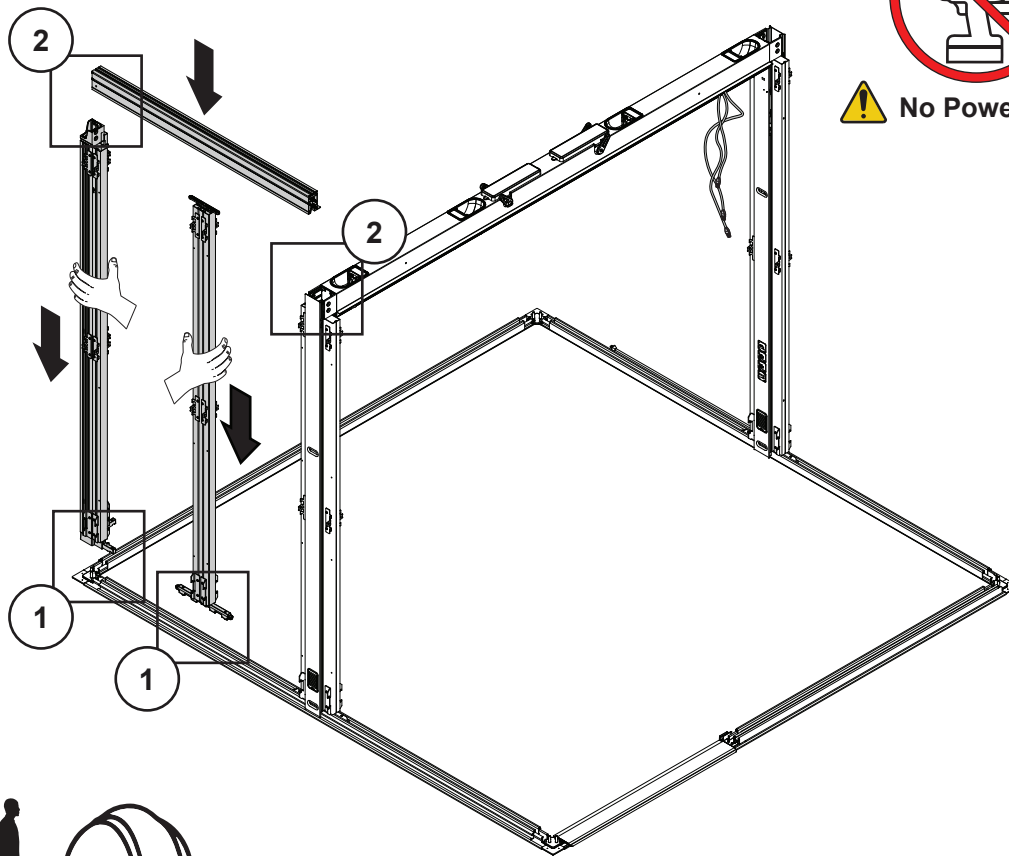
Hand start all fasteners.



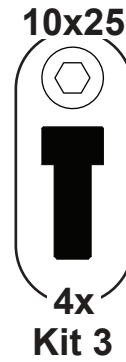
**⚠ No Power Tools ! M8**



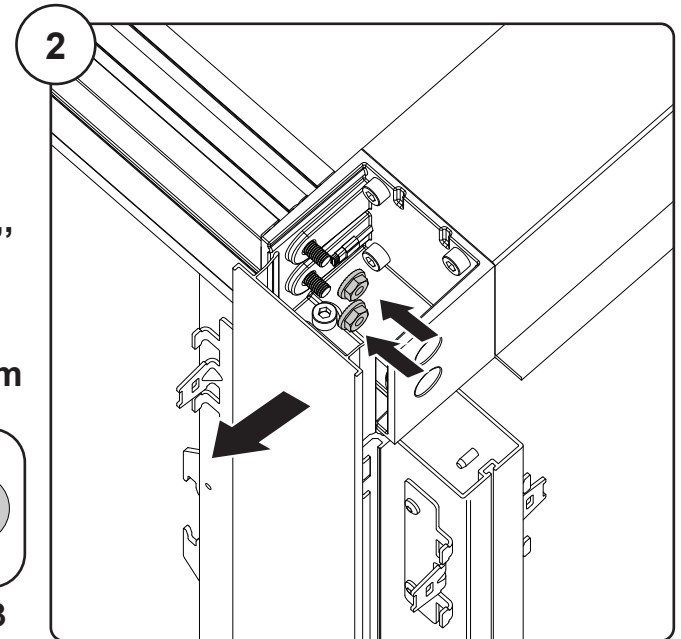
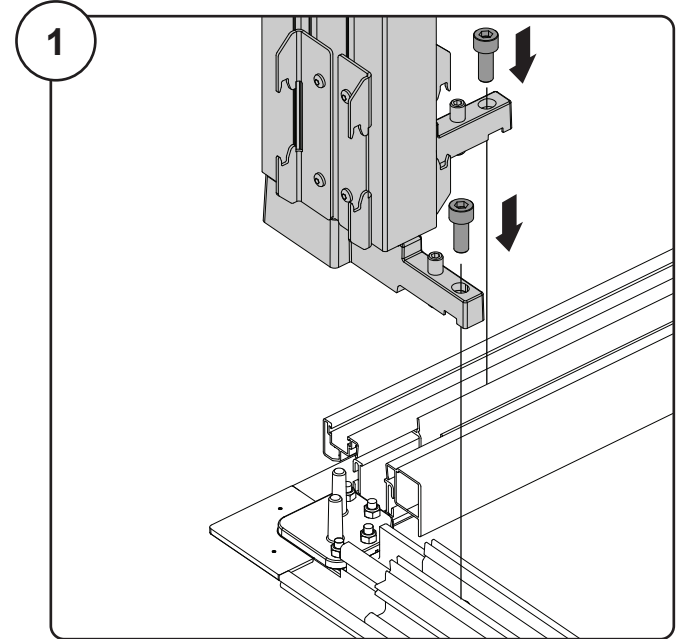
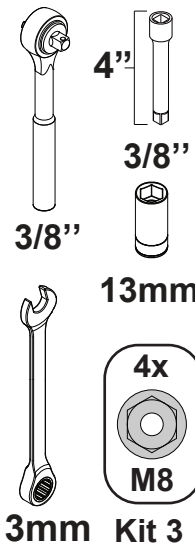
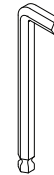
## Step 3.1 Rear Frame Assembly



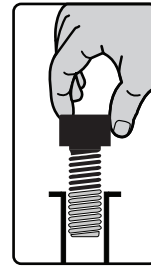
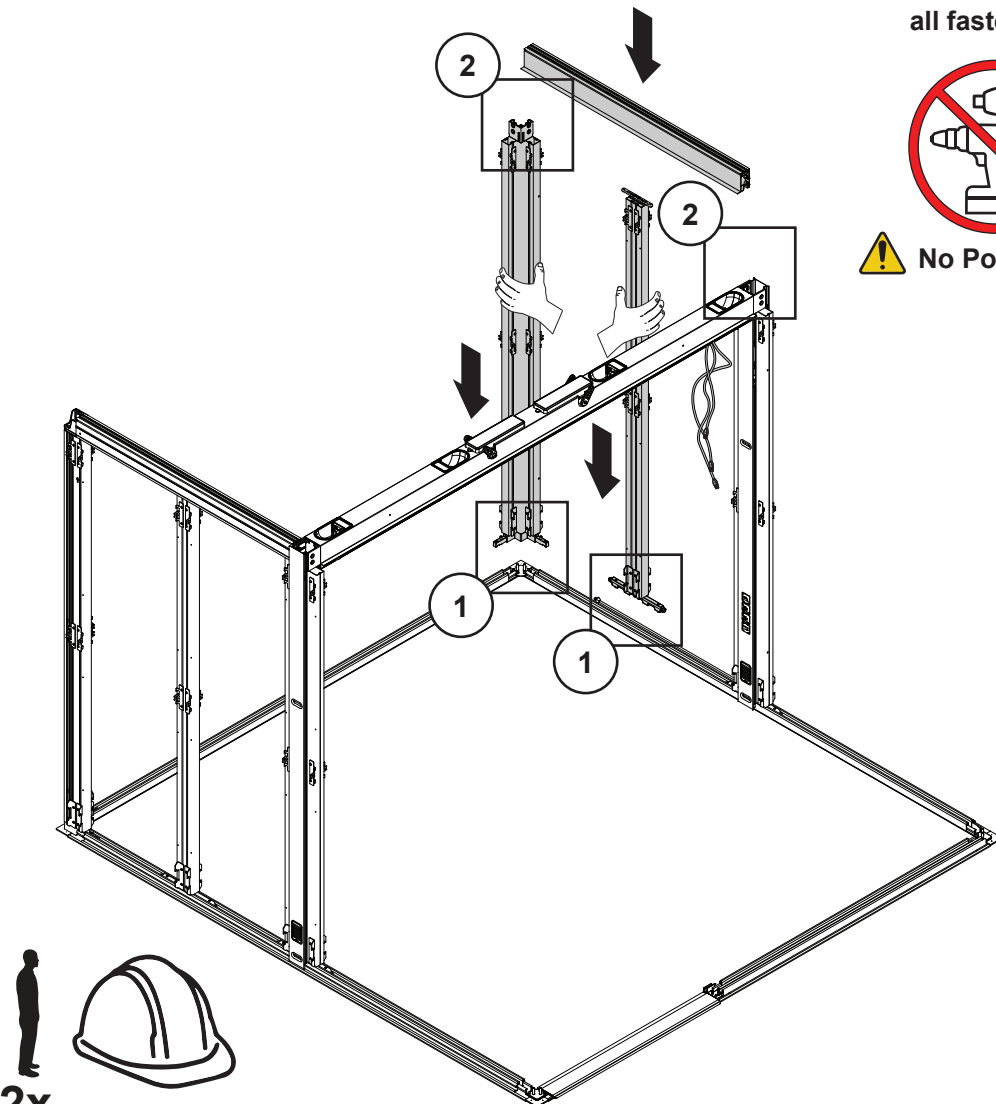
Hand start  
all fasteners.



⚠ No Power Tools ! M8



## Step 3.2 Rear Frame Assembly



Hand start  
all fasteners.

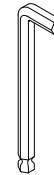


**No Power Tools ! M8**

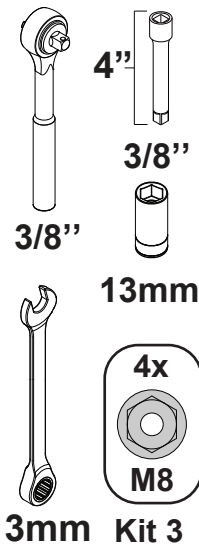


10x25

4x  
Kit 3



M8



4x



3/8"

3/8"



13mm

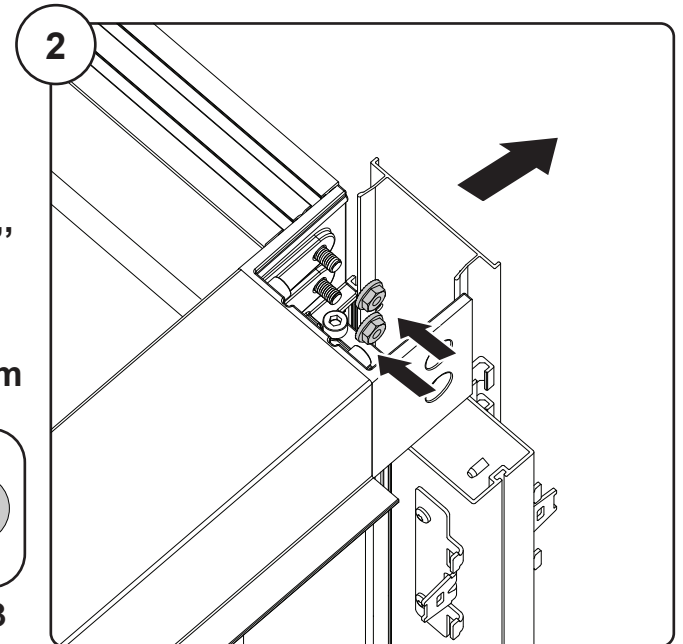
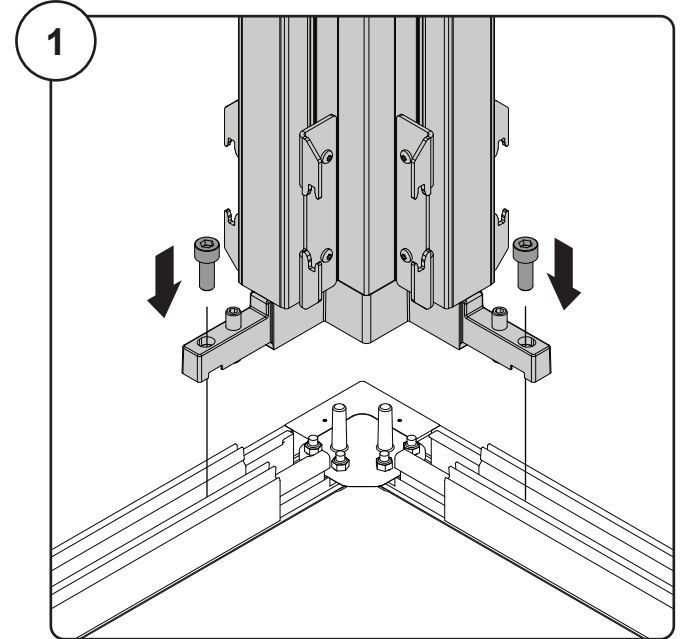


4x

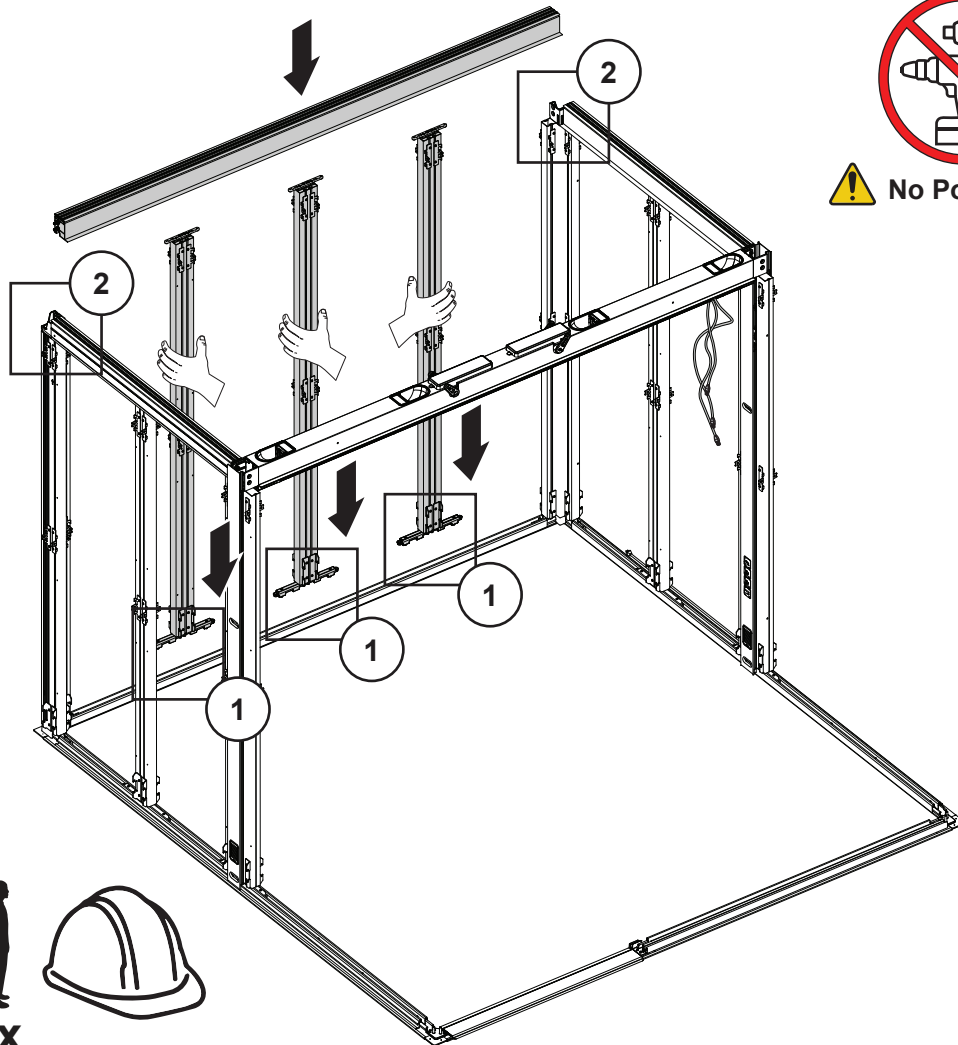


M8

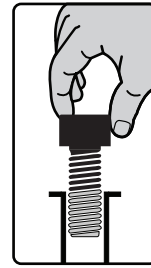
13mm Kit 3



## Step 3.3 Rear Frame Assembly



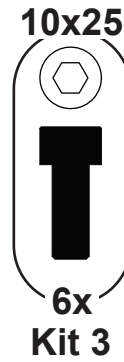
3x



Hand start  
all fasteners.

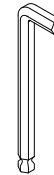


**No Power Tools ! M8**

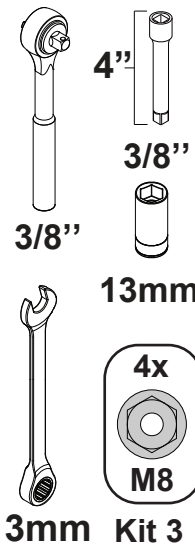


10x25

6x  
Kit 3



M8



3/8"

4"

3/8"

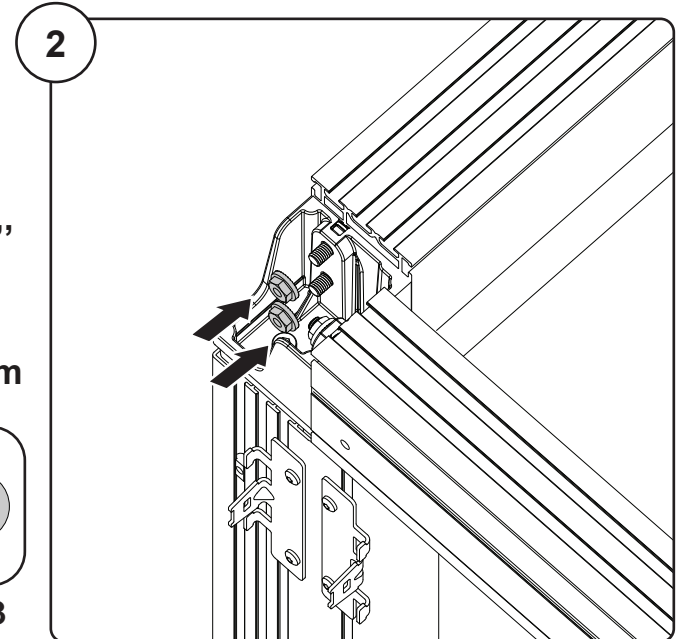
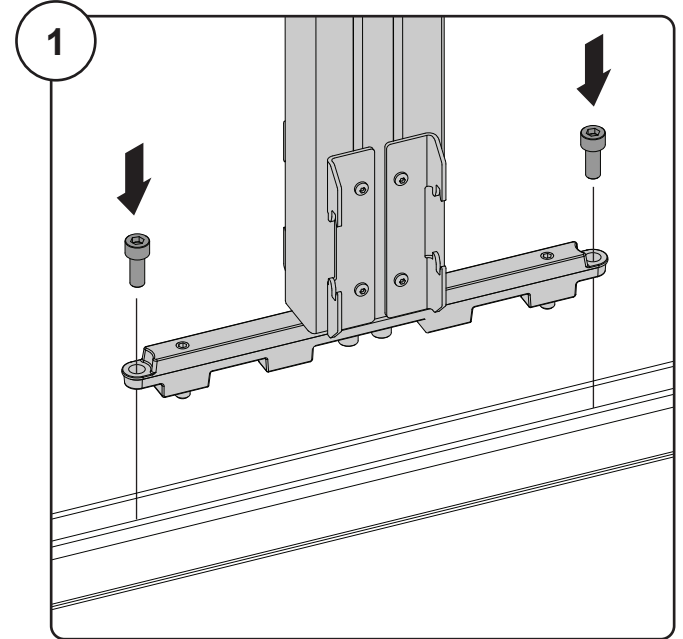
13mm

13mm

4x

M8

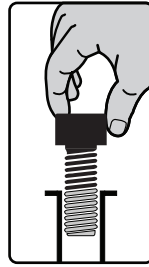
13mm Kit 3



## Step 4.1 Front Frame Assembly

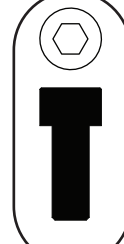


**⚠ No Power Tools !**

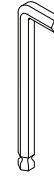


**Hand start  
all fasteners.**

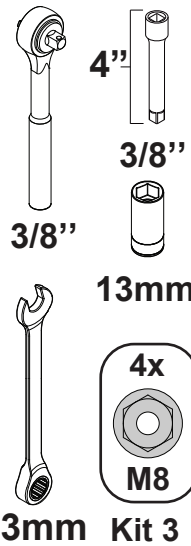
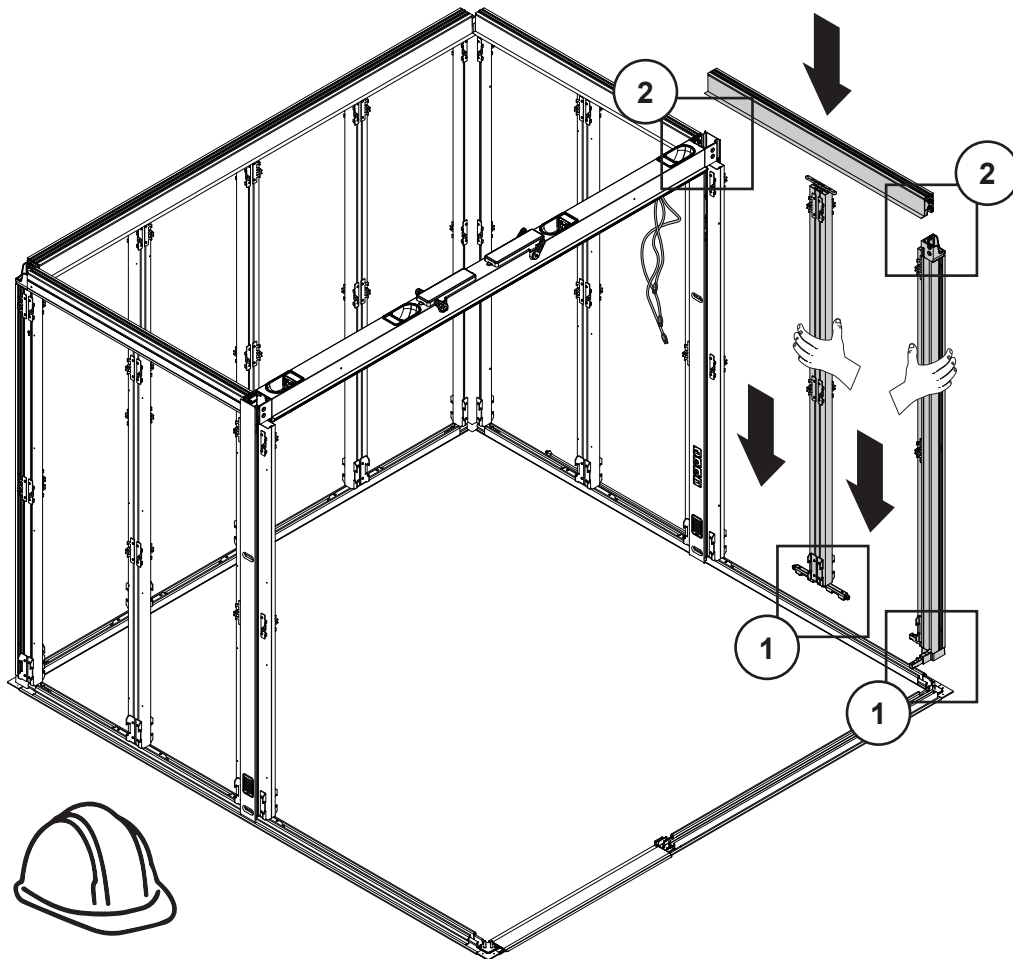
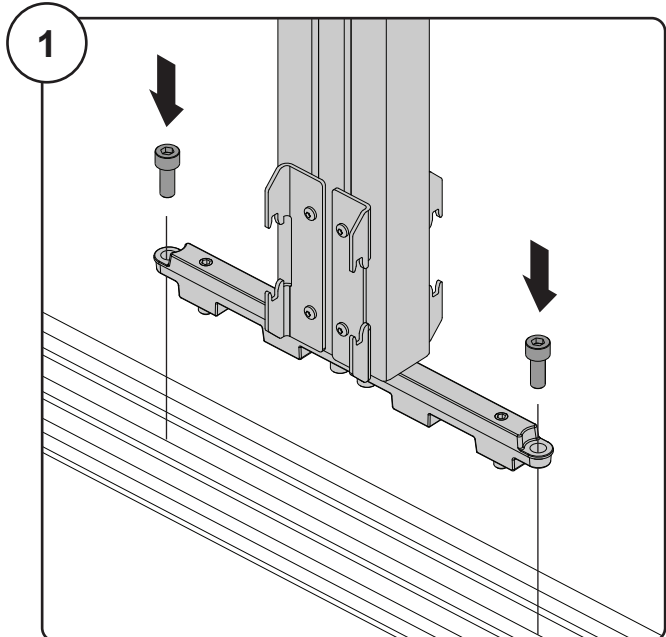
**10x25**



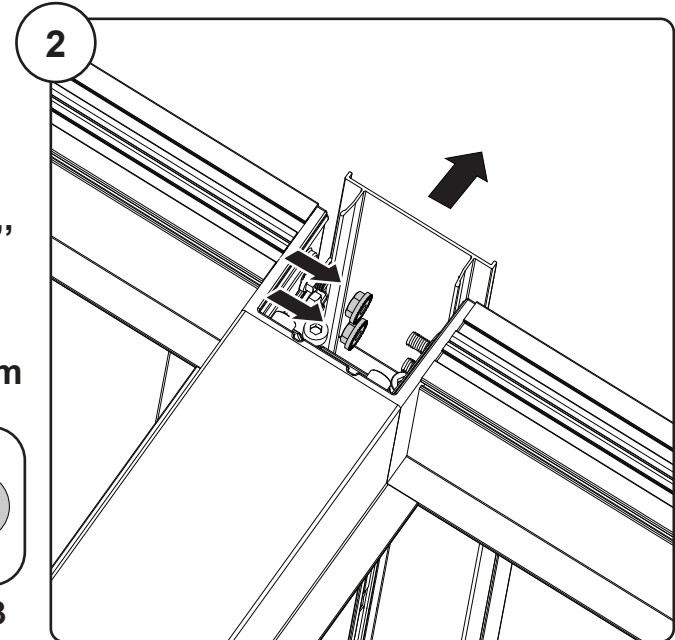
**4x  
Kit 3**



**M8**

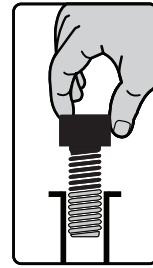


**13mm Kit 3**

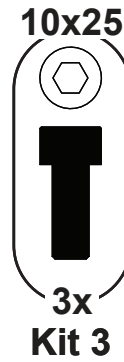


**2x**

## Step 4.2 Front Frame Assembly



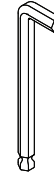
Hand start  
all fasteners.



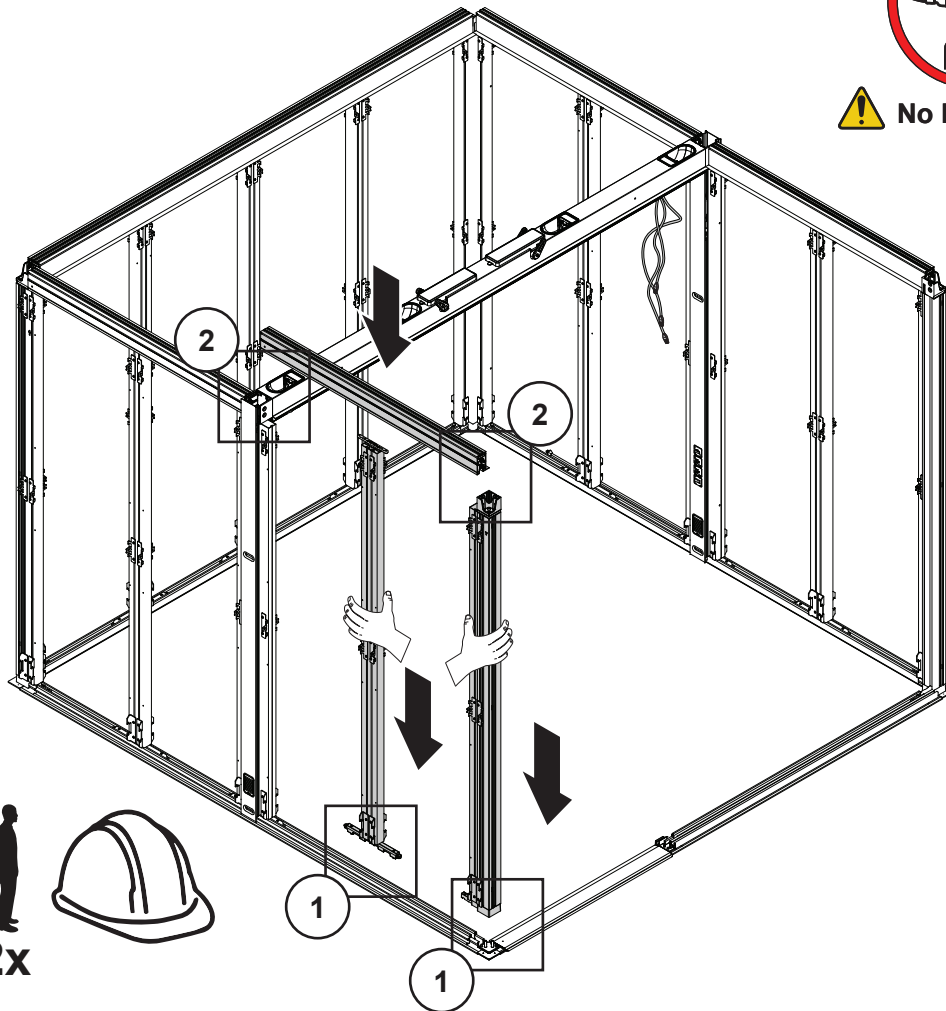
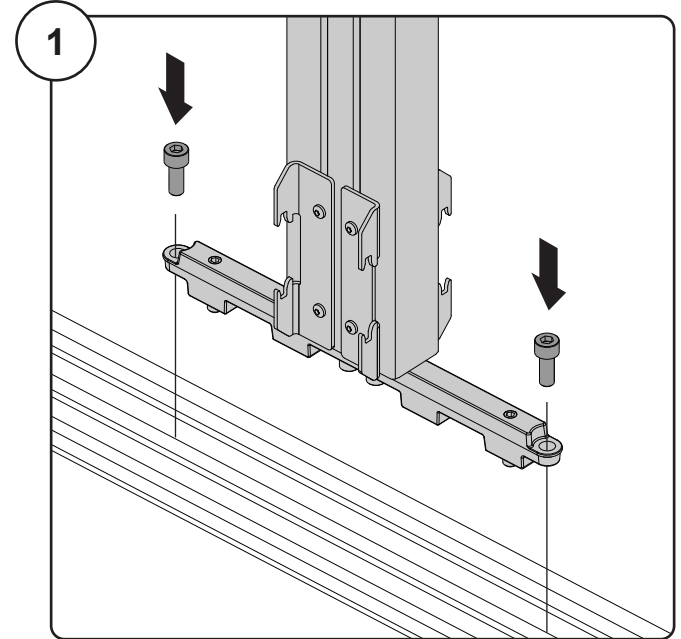
10x25  
3x  
Kit 3



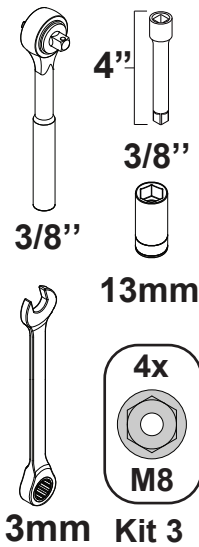
 No Power Tools ! M8



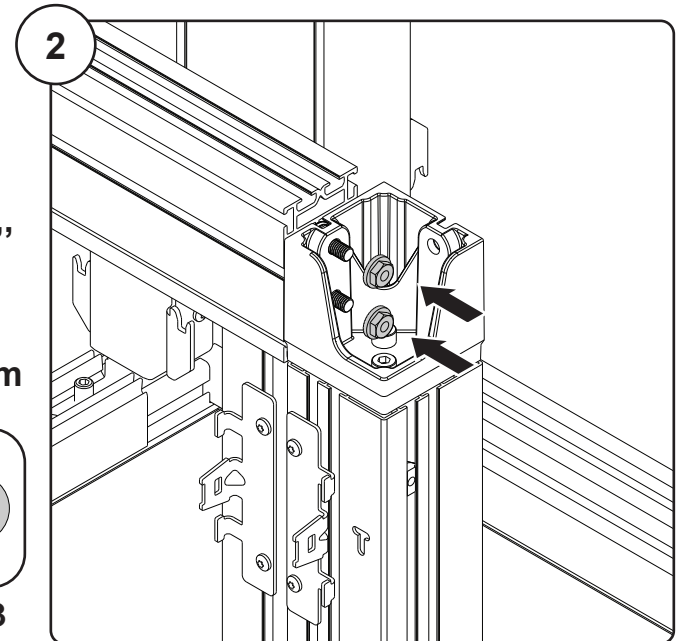
M8



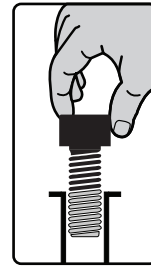
2x



4"  
3/8"  
3/8"  
13mm  
4x  
M8  
13mm Kit 3



## Step 4.3 Front Frame Assembly



Hand start  
all fasteners.

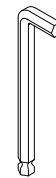


10x25

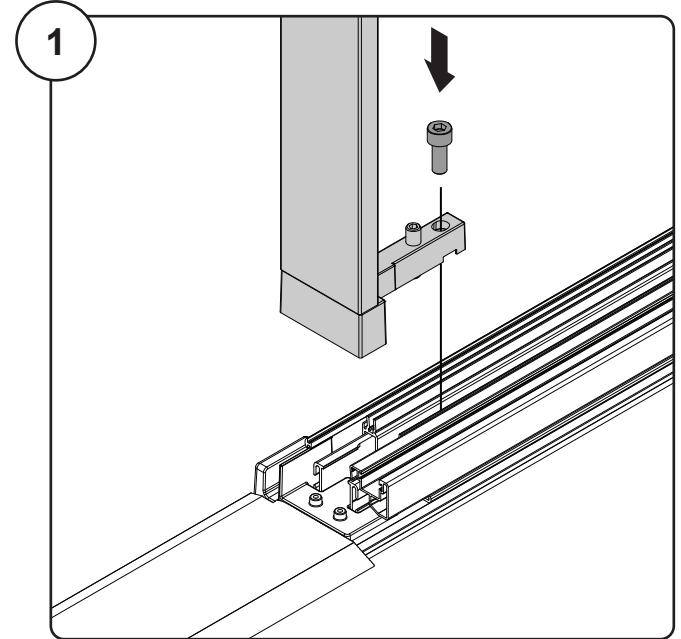
1x  
Kit 3



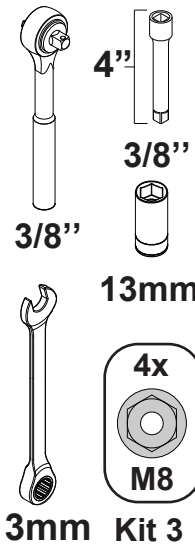
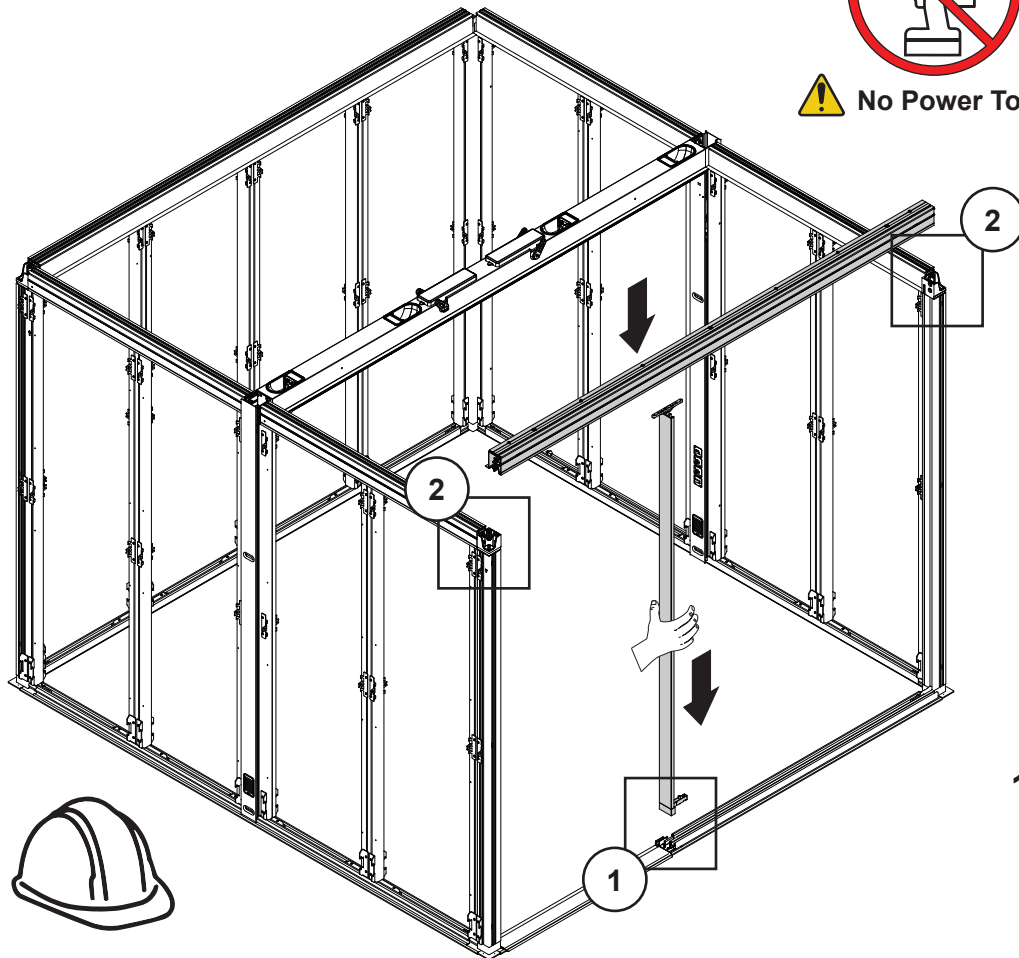
 No Power Tools! M8



M8



1



4"

3/8"

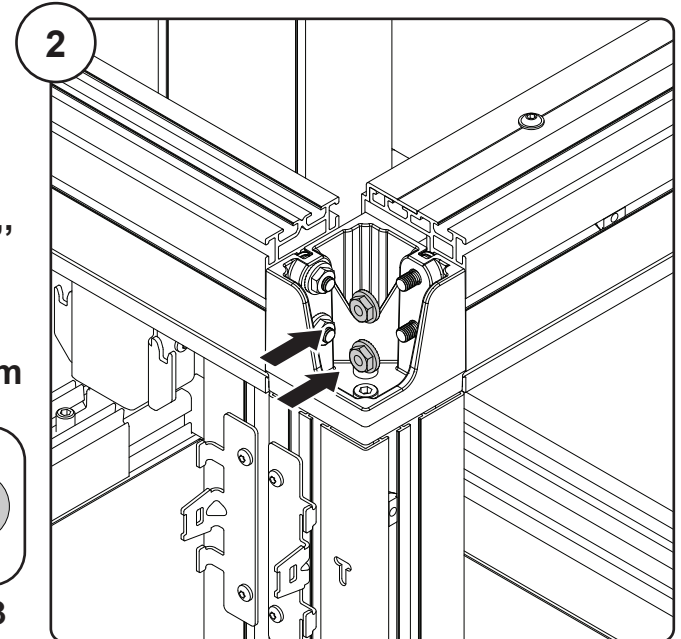
3/8"

13mm

4x

M8

13mm Kit 3

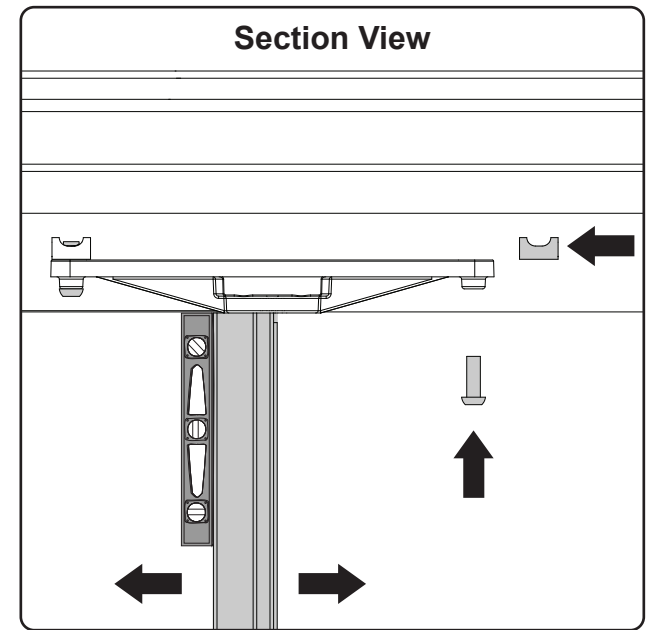
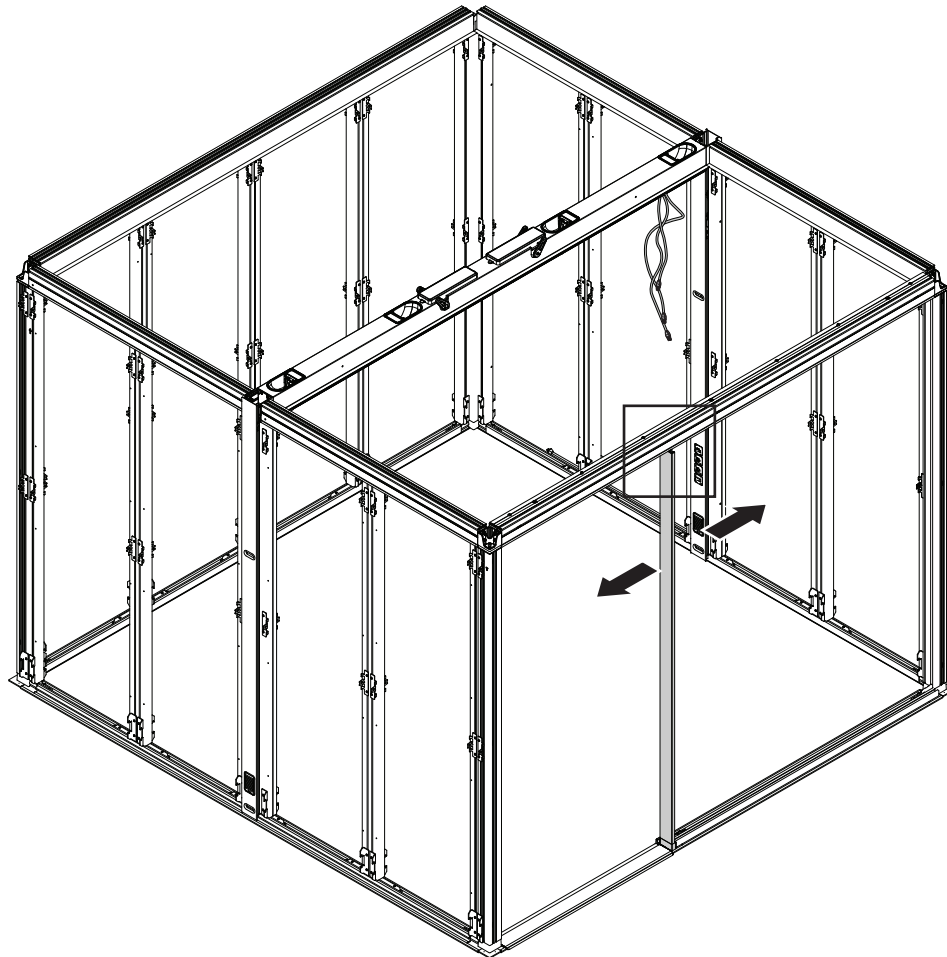


2



2x

## Step 4.4 Front Frame Assembly

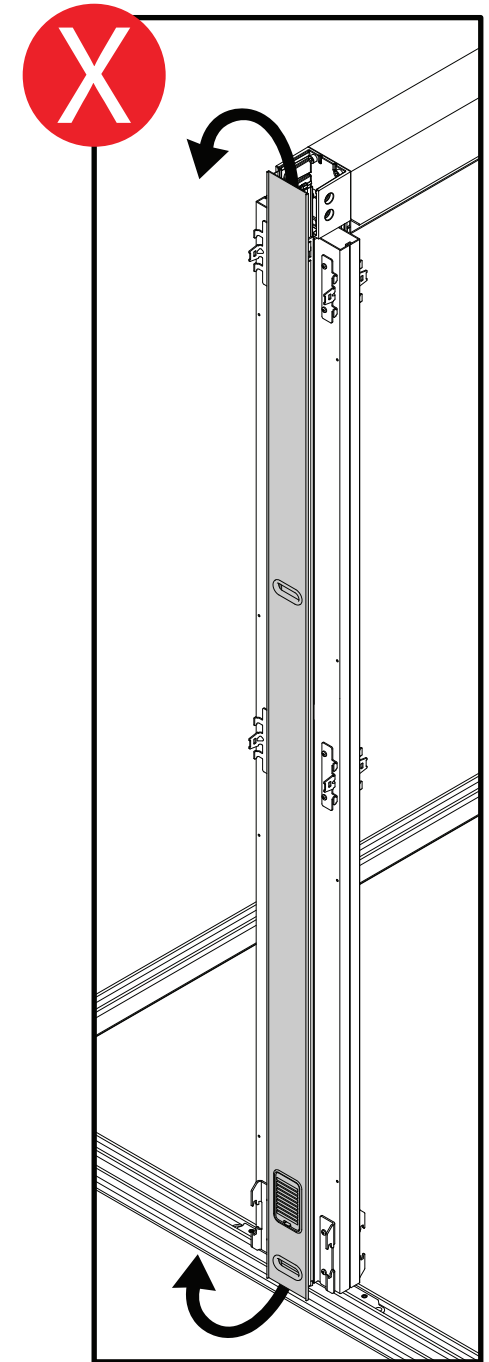
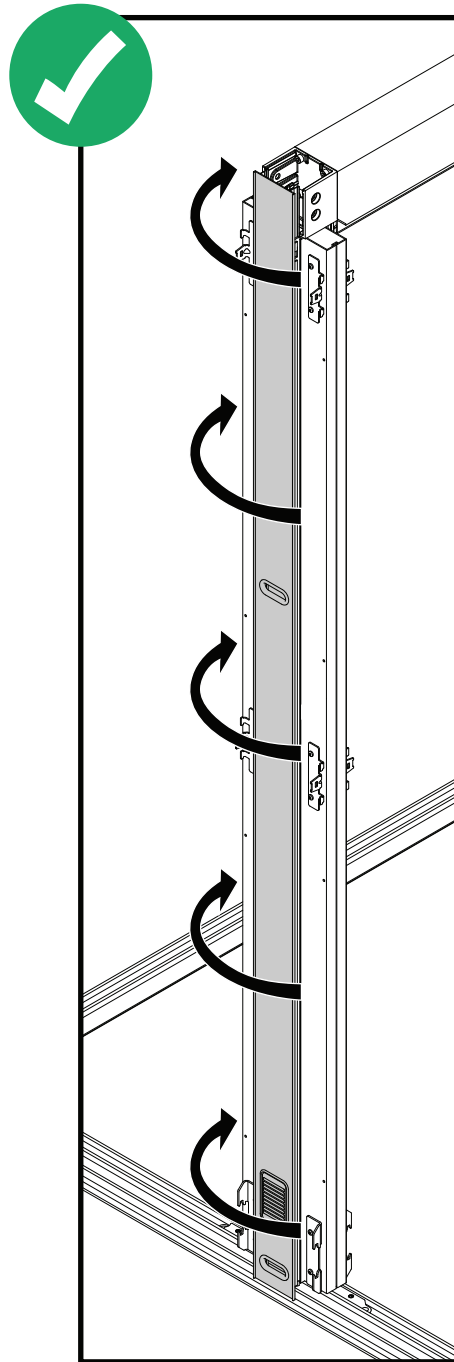


## Removing Trim Covers

### Important:

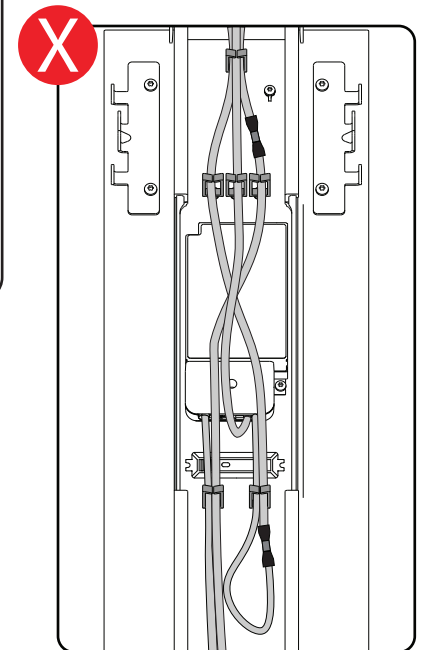
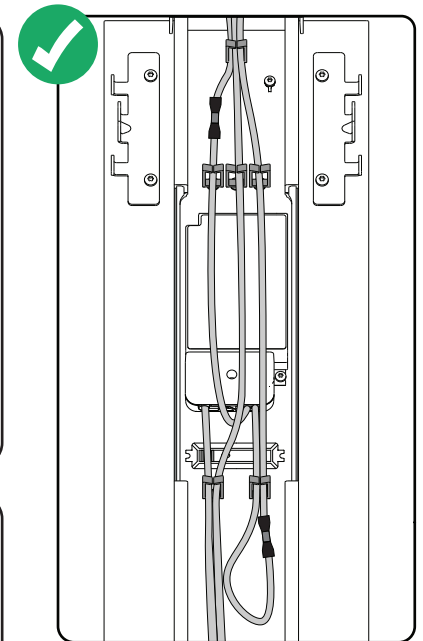
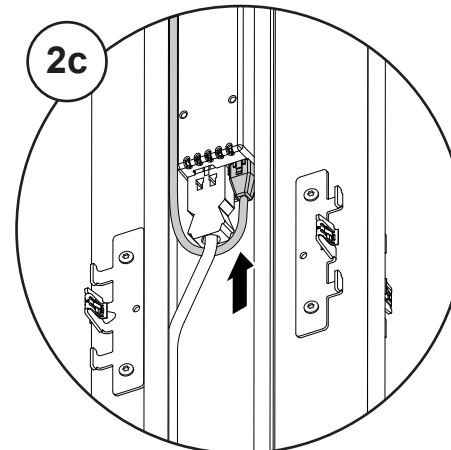
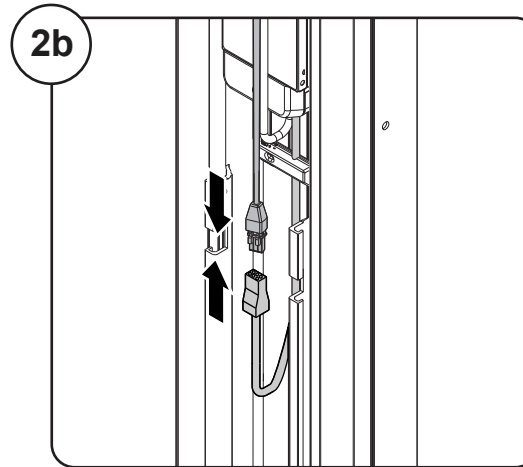
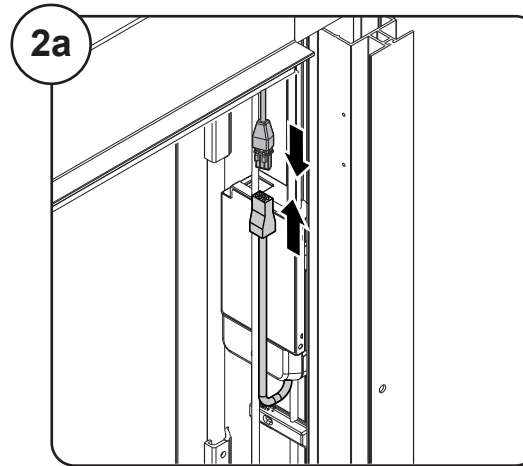
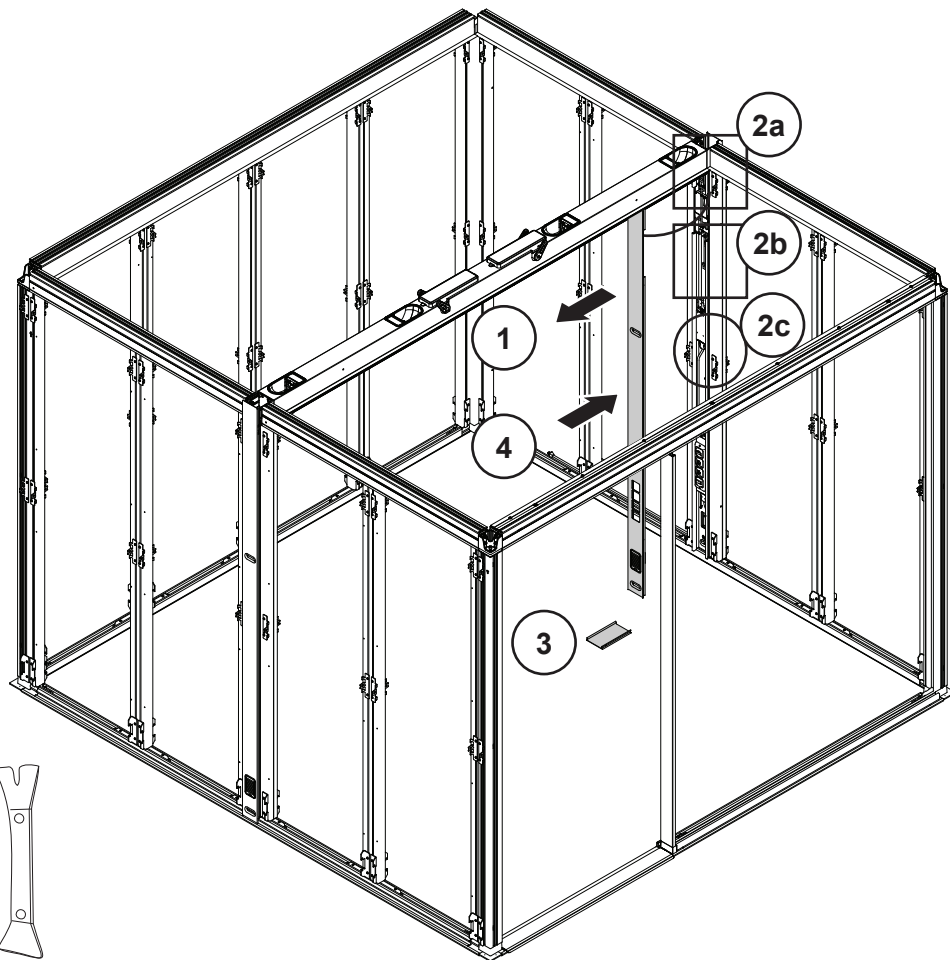
Damage may occur if these instructions are not followed.

When removing Inside or Outside Trim Covers, start at the bottom and pry only on one side, working up the cover, until the cover is removed. Do not pry up both sides simultaneously.



## Step 4.5 Front Frame Assembly - Wiring

1. Remove inside cover from power side.
  2. Connect wires.
  3. Reinstall top vent cover.
  4. Reinstall inside cover.
- \*. If equipped with HDMI, ensure HDMI cable is routed through the upper grommet.



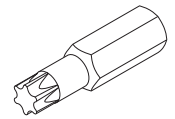
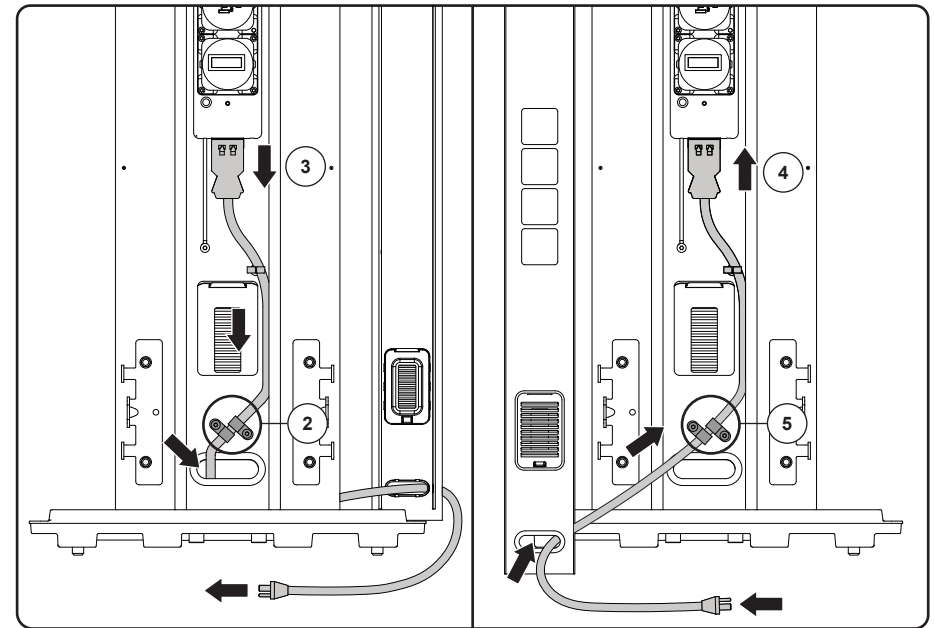
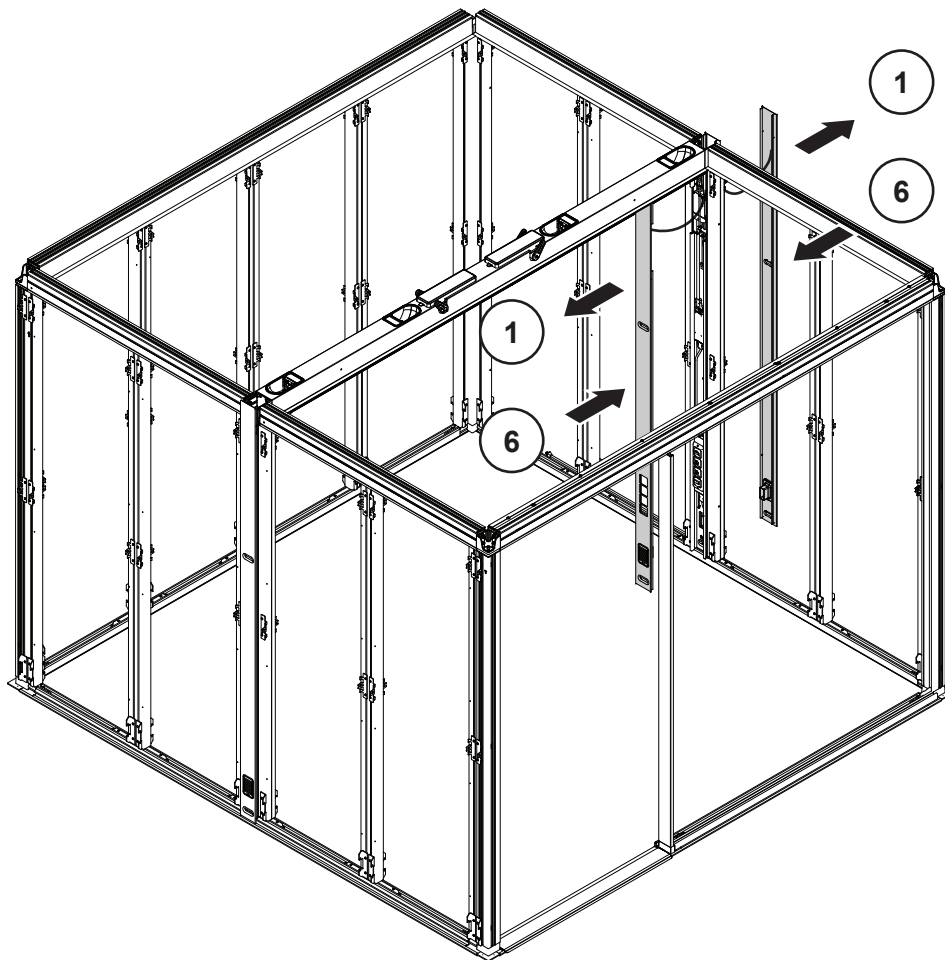
**Note:** Do not pinch wires.  
Do not cross wires.

**Note:** Ensure connectors  
are fully seated.

## Step 4.6

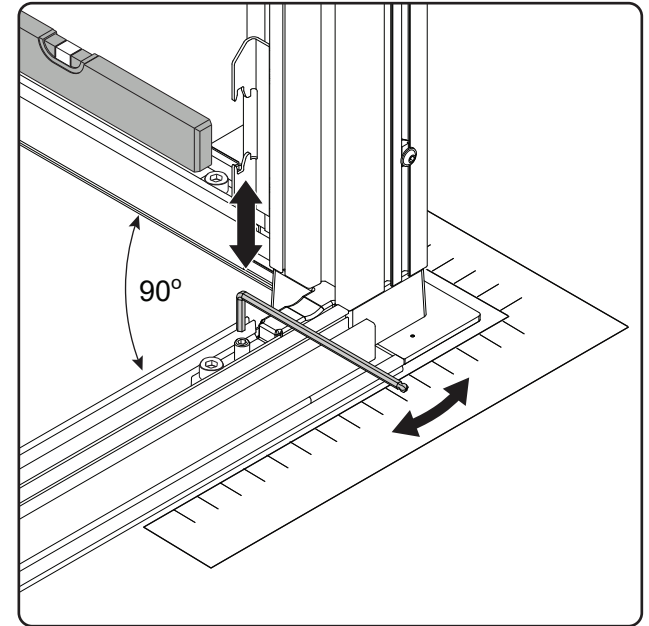
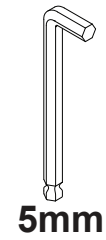
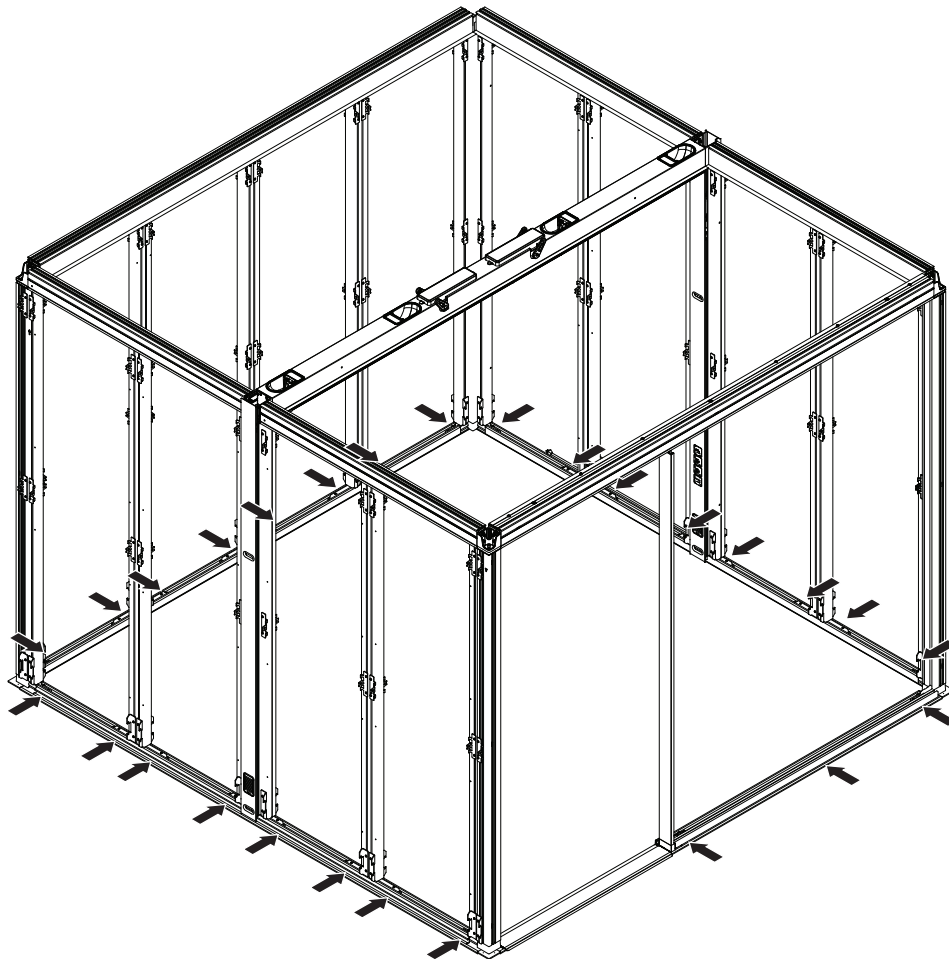
### Optional: Power cord exit location change to inside

1. Remove outside and inside covers from power side.
2. Remove strain relief clips.
3. Remove power cord from trim cover.
4. Re-route power cord through Inside Cover.
5. Install strain relief clips.
6. Reinstall covers.

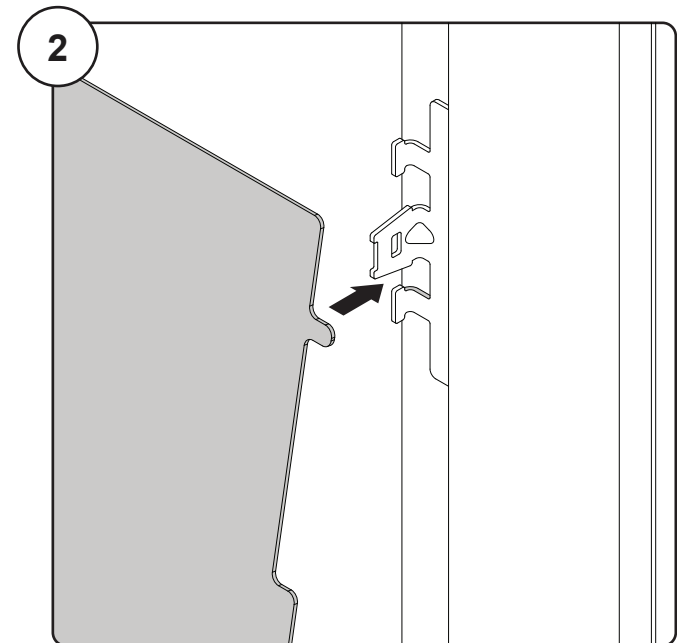
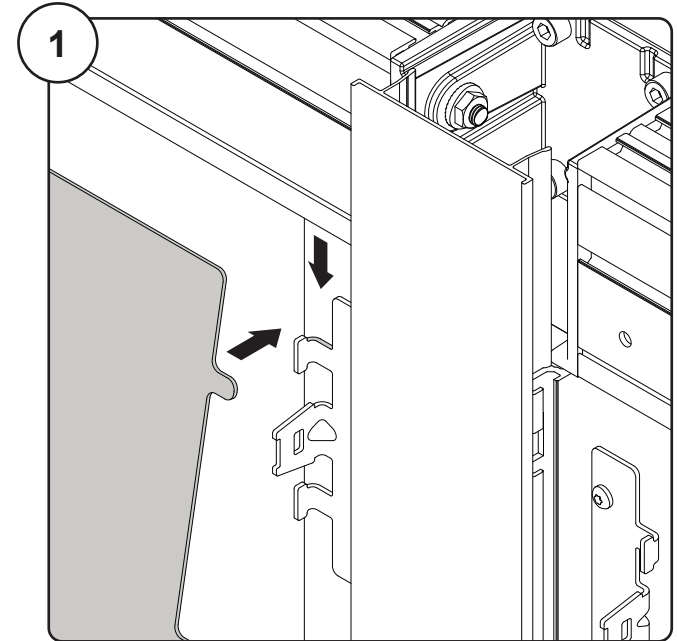
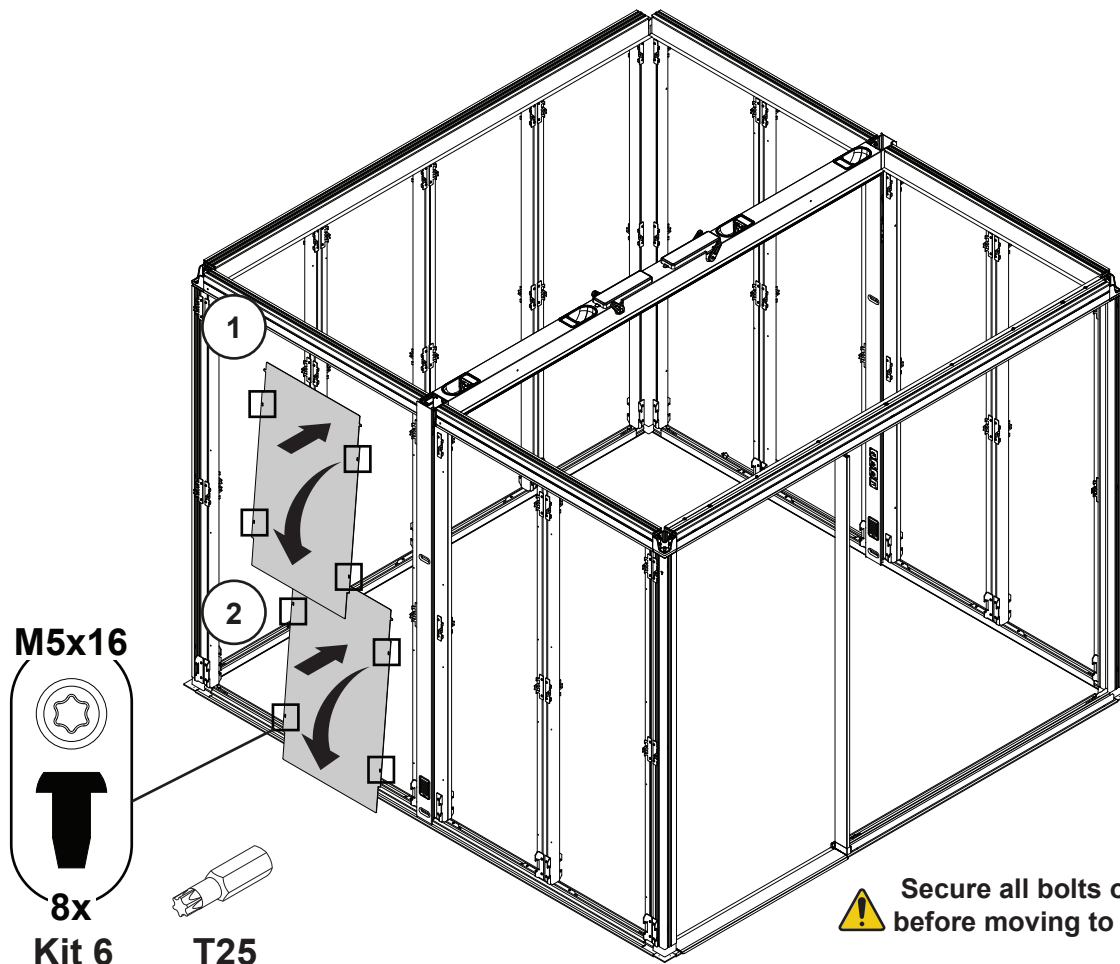


T20

## Step 5.1 Frame - Verify Square and Level Base

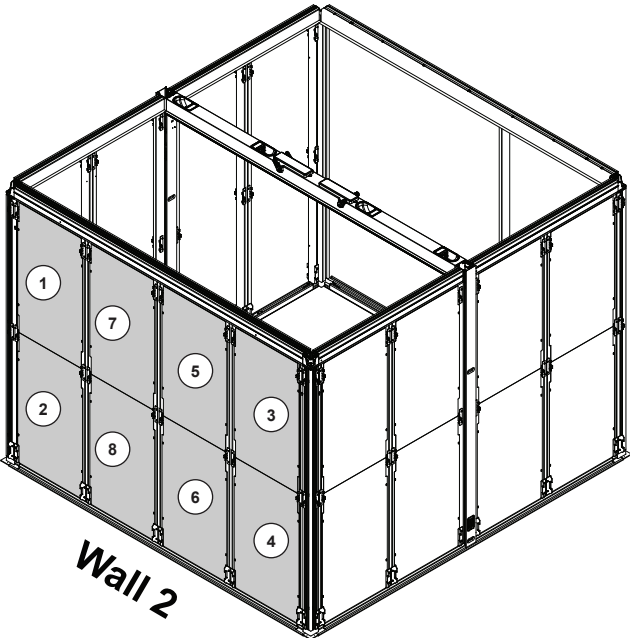
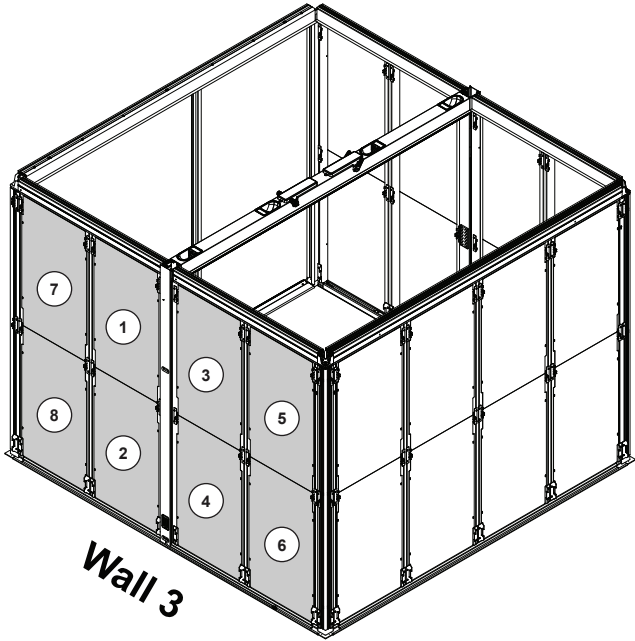
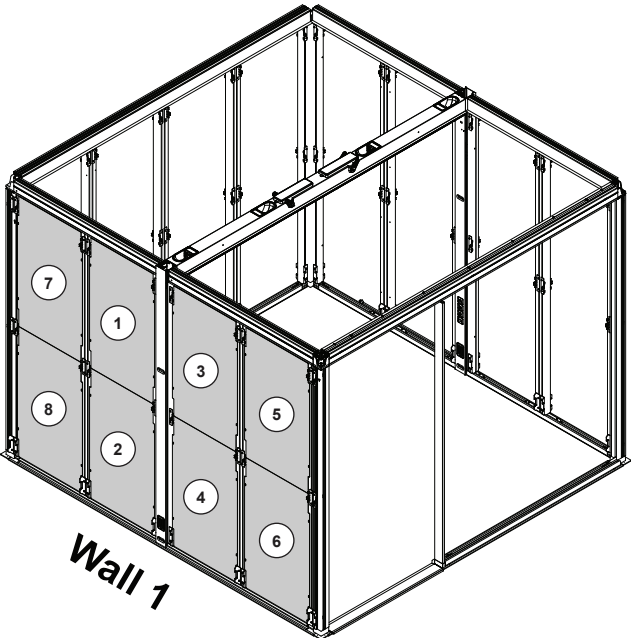


## Step 6.1 Acoustic Panels Assembly



 Secure all bolts on each panel before moving to the next one !

## Step 6.2 Acoustic Panels Installation Order




M5x16



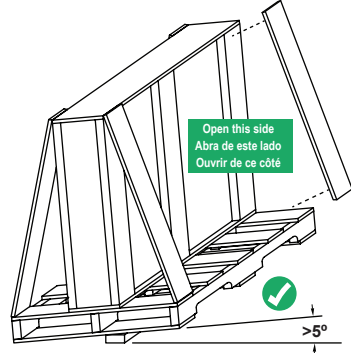
96x  
Kit 6

## Step 7.1 Glass unboxing


**⚠ WARNING ⚠ ADVERTENCIA ⚠ AVERTISSEMENT**



**READ DIRECTIONS AND MANUAL FIRST**  
LEA PRIMERO LAS INSTRUCCIONES Y EL MANUAL  
LISEZ D'ABORD LES DIRECTIVES ET LE GUIDE







Open this side  
Abra de este lado  
Ouvrir de ce côté



**RISK OF SERIOUS INJURY**  
RIESGO DE LESIONES GRAVES  
RISQUE DE GRAVES BLESSURES!


**Safety Instructions    Instrucciones de Seguridad    Consignes de Sécurité**

- Before opening, ensure crate is stable and tilted at least 5 degrees to prevent glass from falling out.
- To open, cut any bands first and pry off boards on front of crate.
- Before removing glass, check crate and remove protruding nails or screws that could scratch glass.
- Wear appropriate personal protective equipment (safety glasses, gloves, safety shoes and skin protection).
- Tempered Glass is very heavy and can shatter while handling. Use two or more people to handle glass.
- Handle carefully. A scratched surface, damaged surface, or edge impact can cause the glass to shatter suddenly into sharp pieces.

- Antes de abrir, asegúrese de que la caja esté estable e inclinada al menos por 5 grados para evitar que el vidrio se salga de la caja.
- Para abrir, corte primero las bandas de embalaje y luego separe las tablas del frente de la caja.
- Antes de retirar el vidrio, chequee la caja y quite los clavos o tornillos salientes que puedan rayar el vidrio.
- Use el equipo apropiado de protección personal (gafas de seguridad, guantes, zapatos de seguridad y protección para la piel).
- El vidrio templado es muy pesado y se puede romper durante su manipulación. Use dos o más personas para manipular el vidrio.
- Manéjelo con cuidado. Una superficie rayada o dañada, o el impacto sobre el borde pueden causar que el vidrio se rompa de repente en trozos afilados.

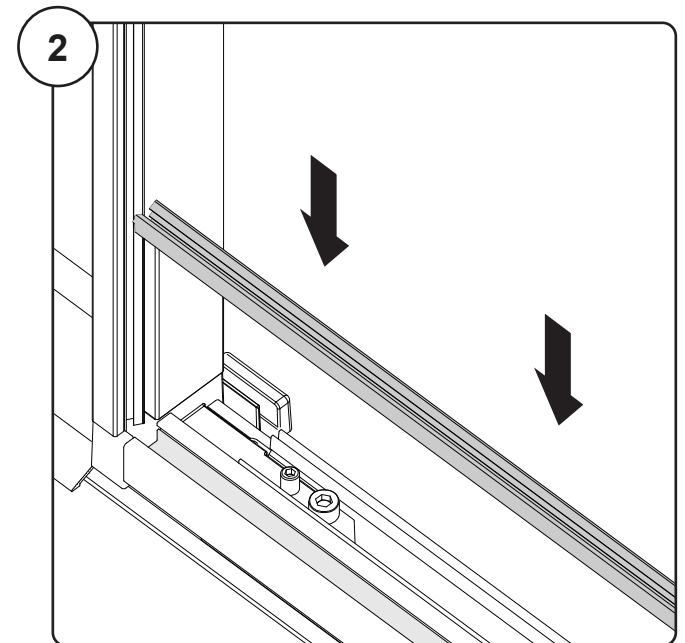
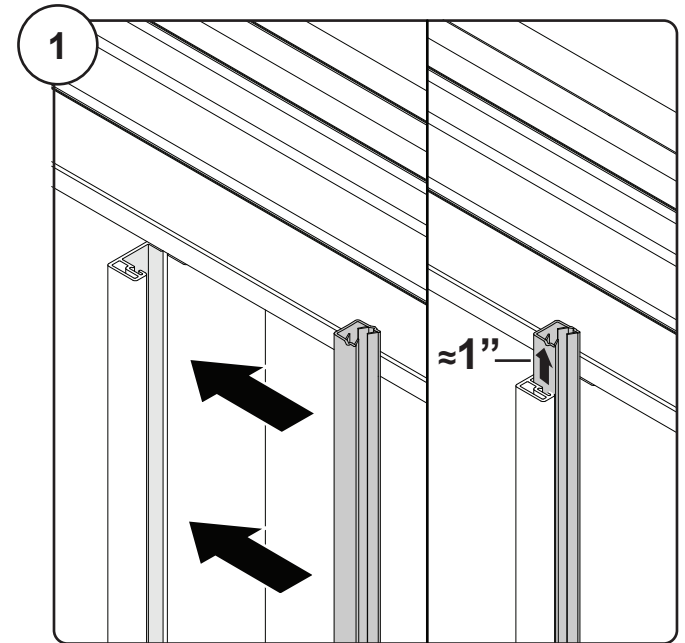
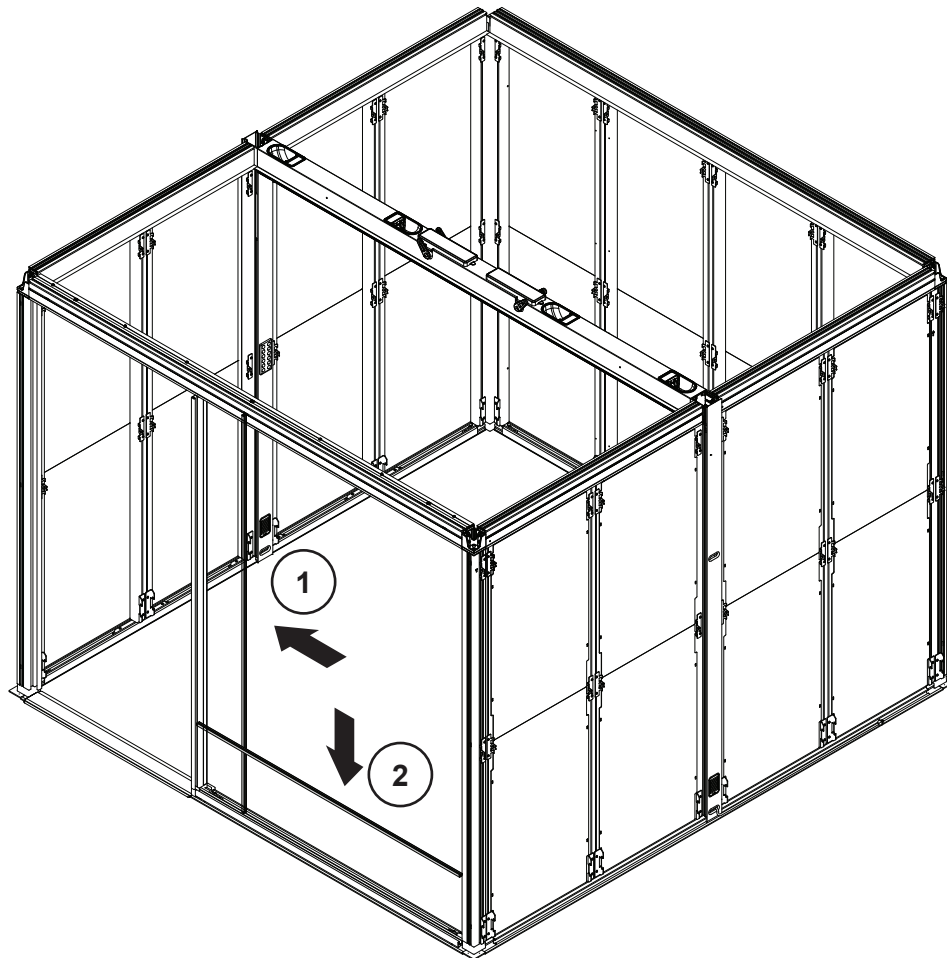
- Avant d'ouvrir, assurez-vous que la caisse à claire-voie est stable et inclinée d'au moins 5 degrés pour éviter que la vitre bascule hors de la caisse.
- Pour ouvrir, coupez d'abord les bandes d'emballage, puis écartez les bords sur le devant de la caisse.
- Avant de retirer la vitre, vérifiez la caisse et enlevez les clous ou les vis qui pourraient dépasser et qui pourraient égratigner la vitre.
- Portez de l'équipement de protection individuelle approprié (lunettes de sécurité, gants, chaussures de sécurité et vêtements de protection).
- Le verre trempé est très lourd et peut se briser en éclats lorsqu'on le manipule. Au moins deux personnes sont nécessaires pour manipuler la vitre.
- Manipulez avec soin. Une surface égratignée ou endommagée ou encore un choc sur le rebord peut faire en sorte que le verre se brise soudainement en éclats tranchants.



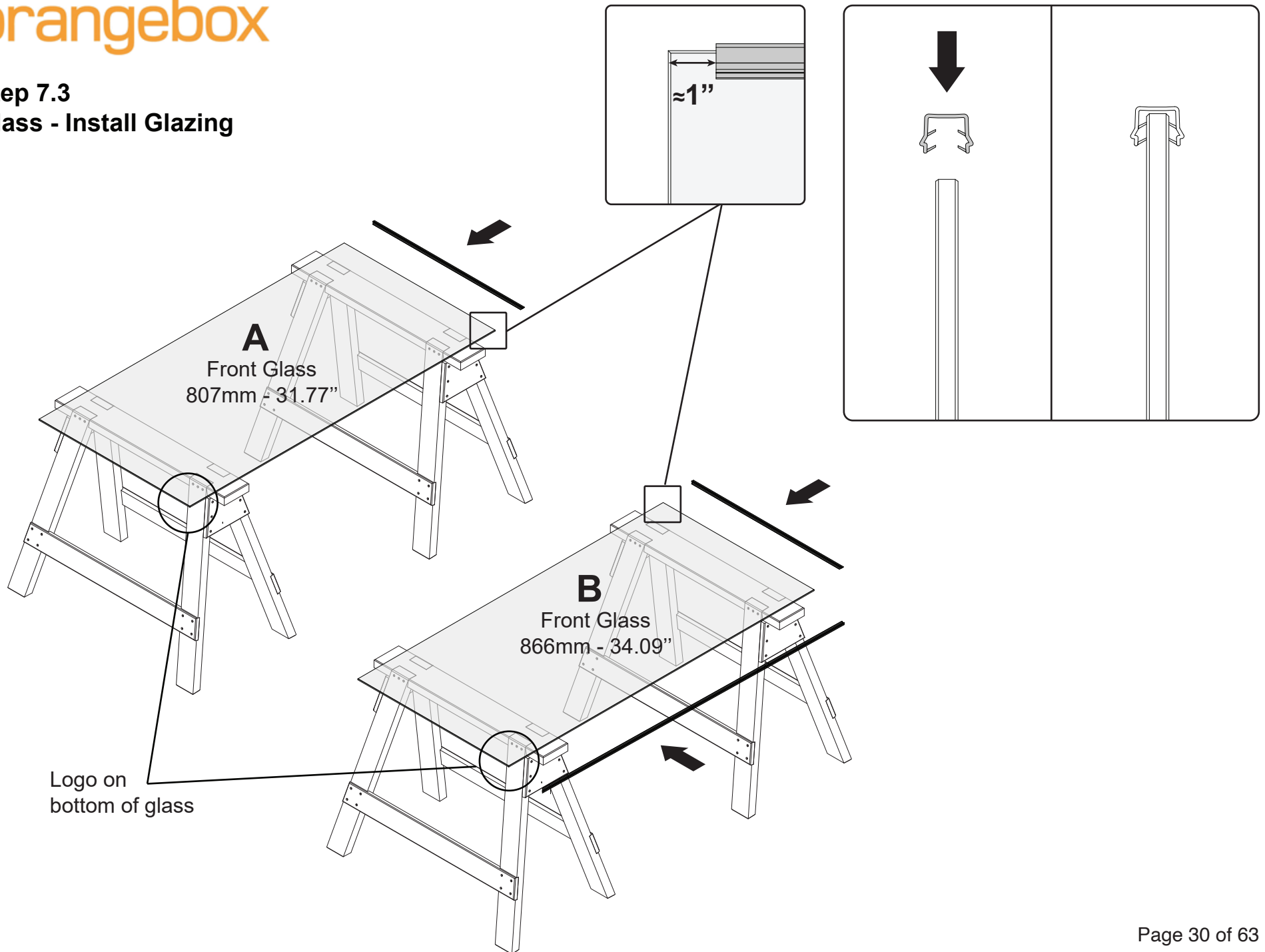
1/888-783-3522  
Steelcase.com

1062515001 rev B

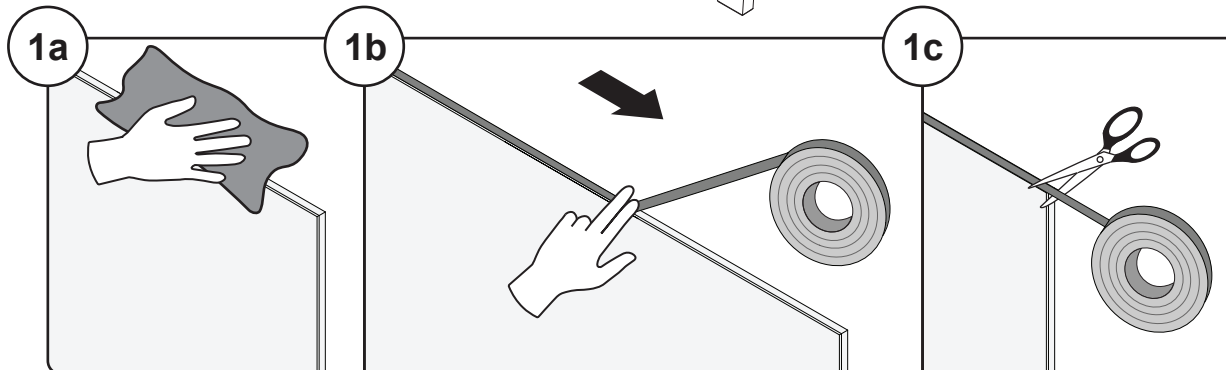
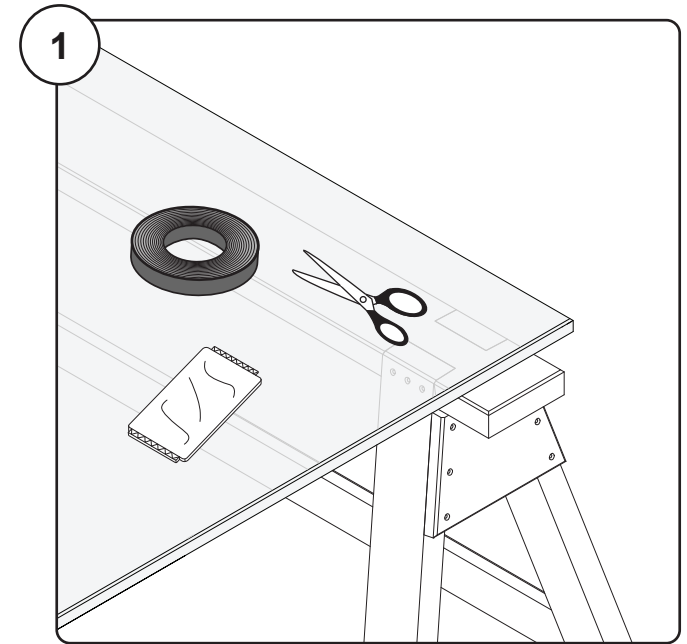
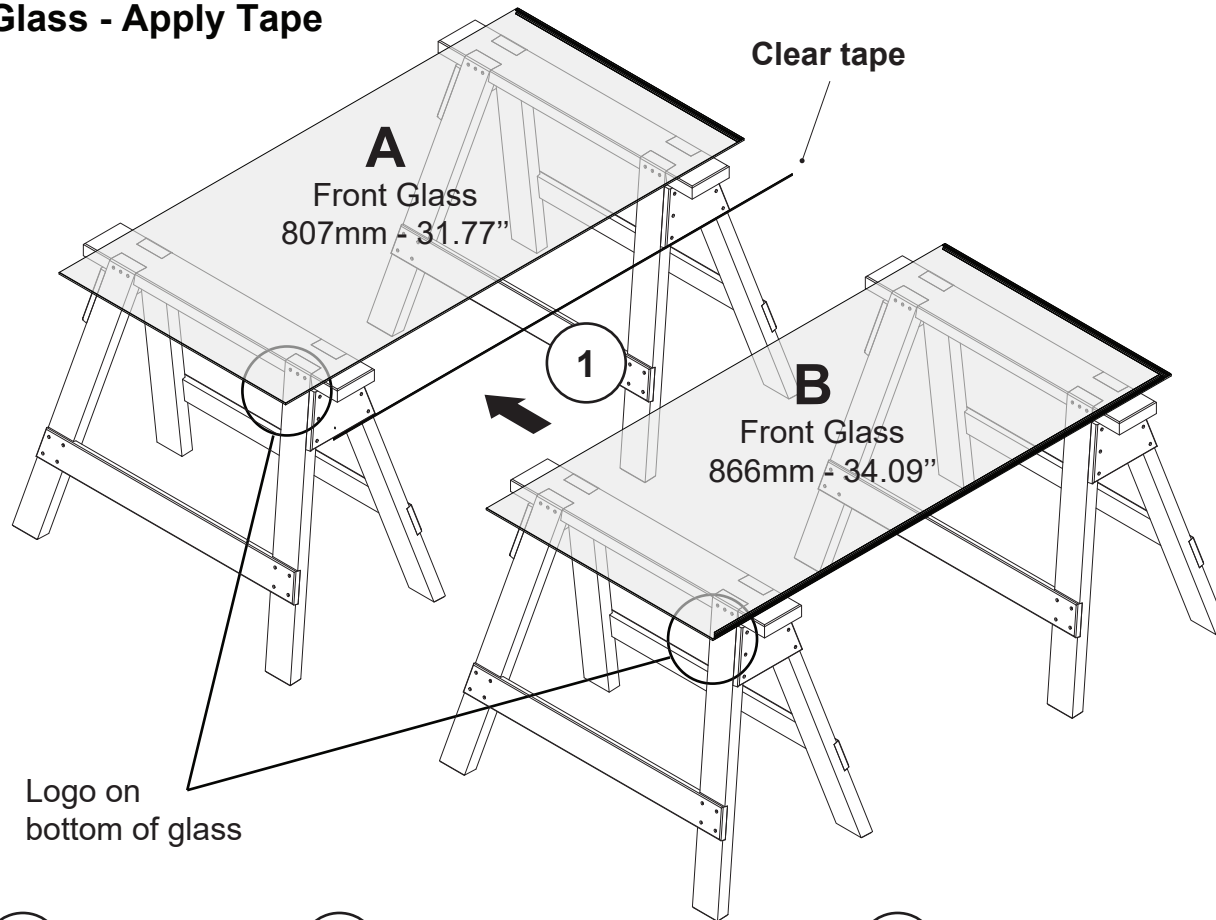
## Step 7.2 Glass - Install Glazing



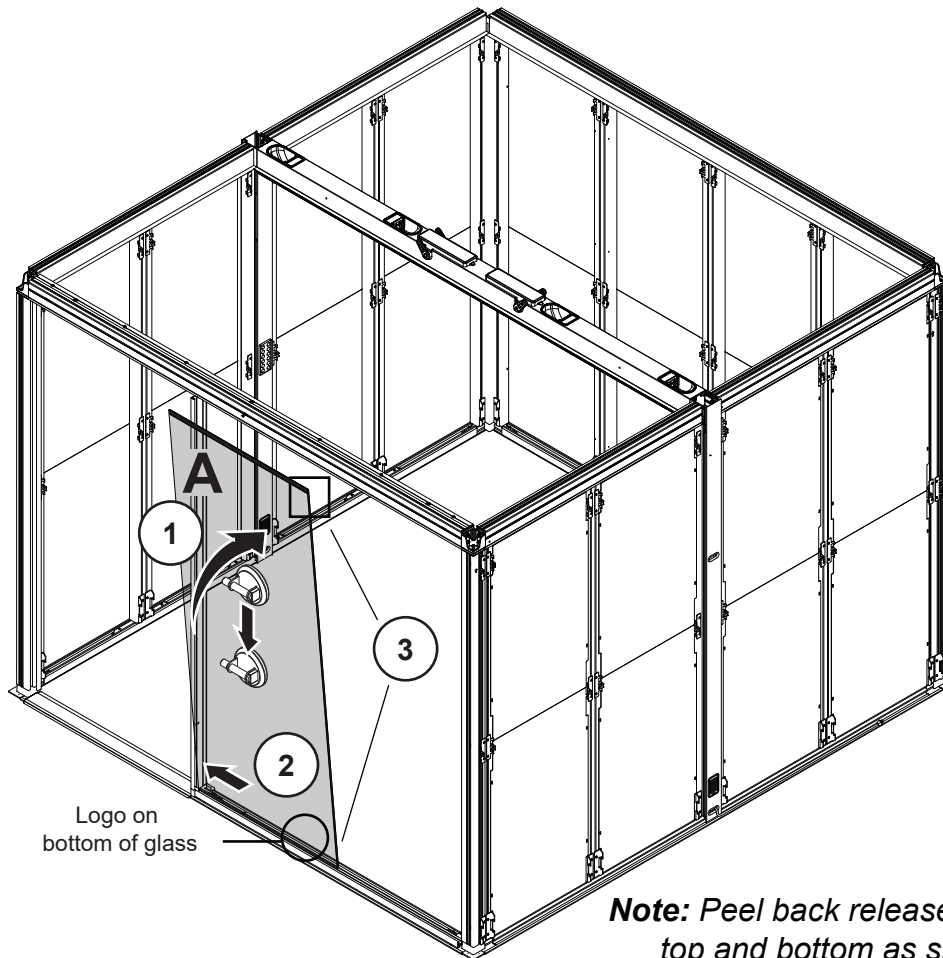
## Step 7.3 Glass - Install Glazing



## Step 7.4 Glass - Apply Tape

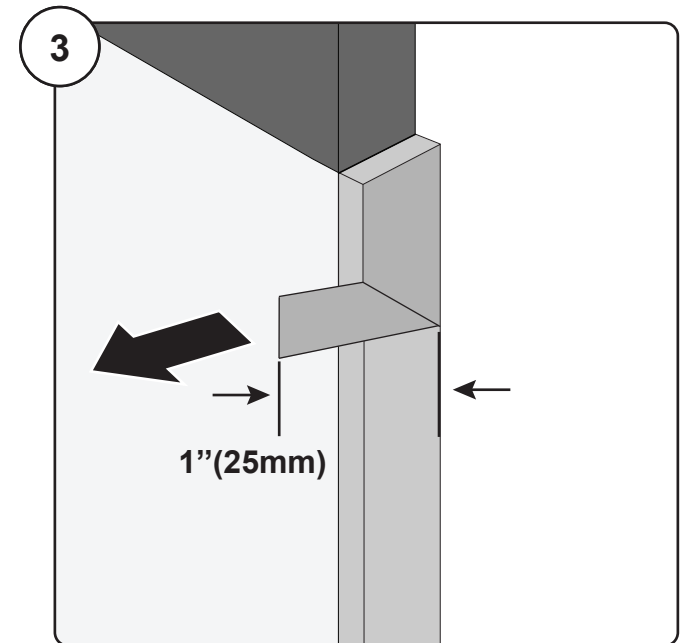
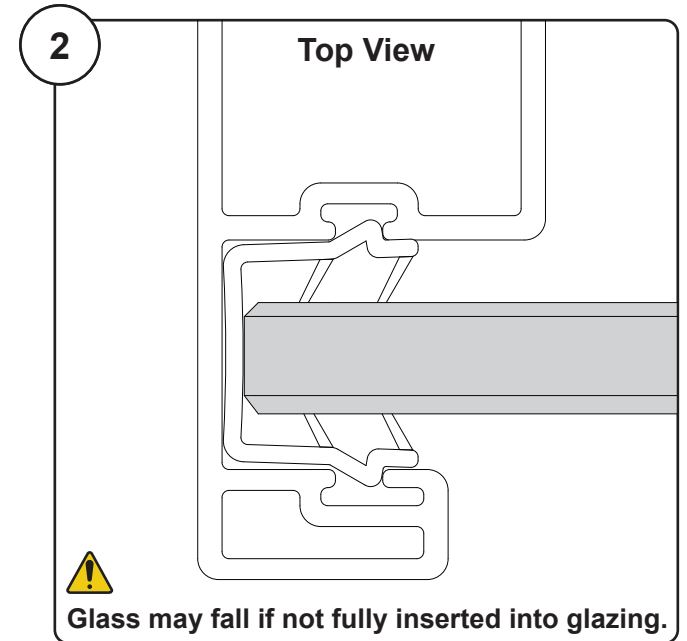


## Step 7.5 Glass Assembly

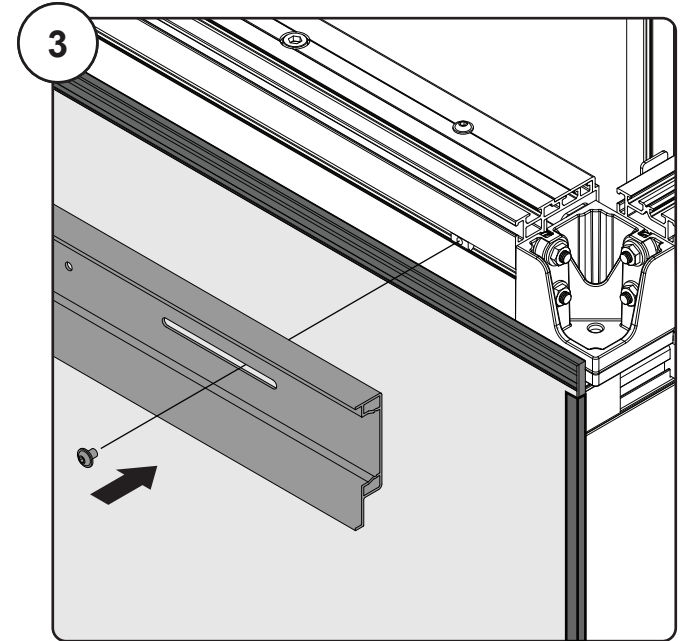
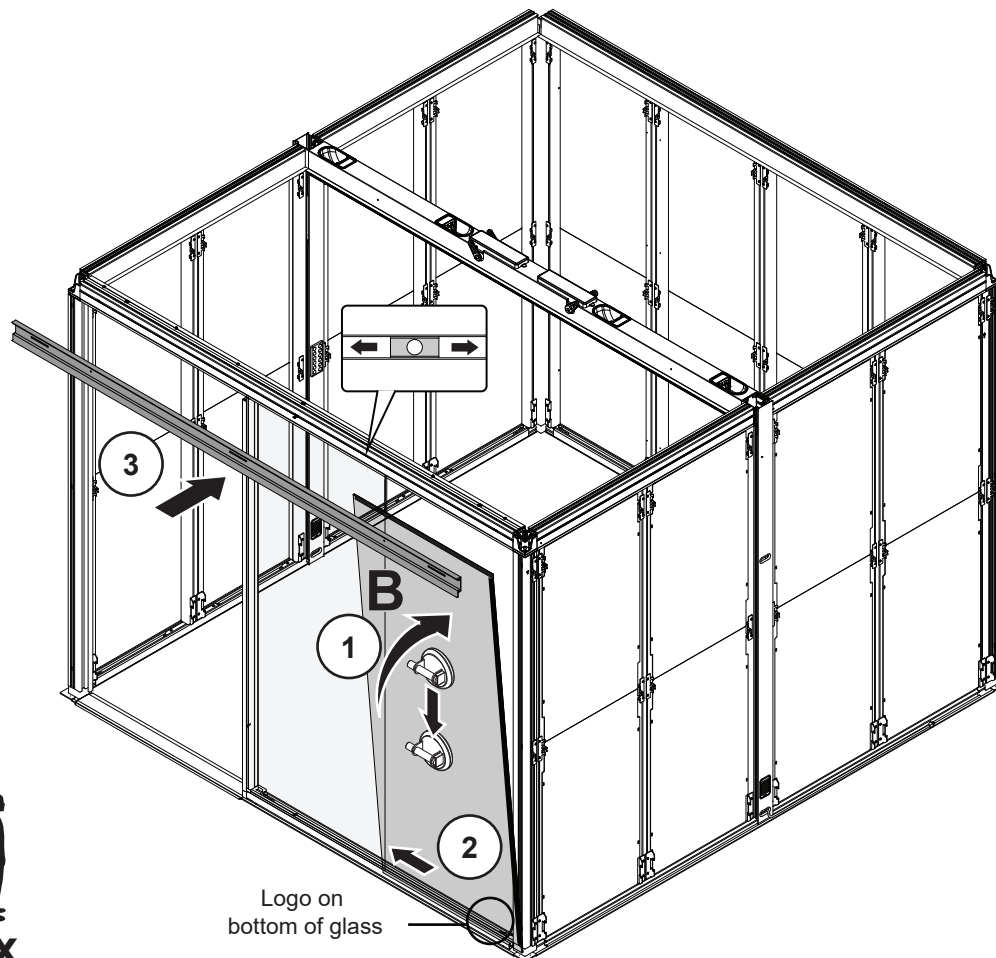


Logo on  
bottom of glass

**Note:** Peel back release cover 1"  
top and bottom as shown.

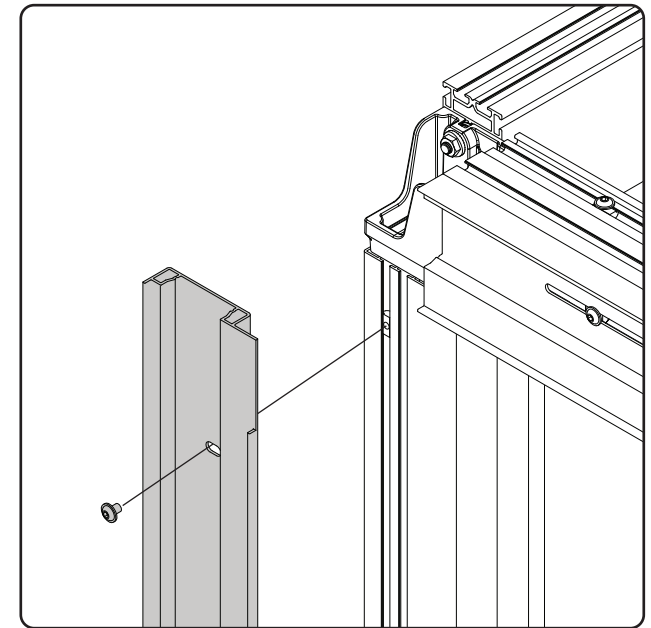
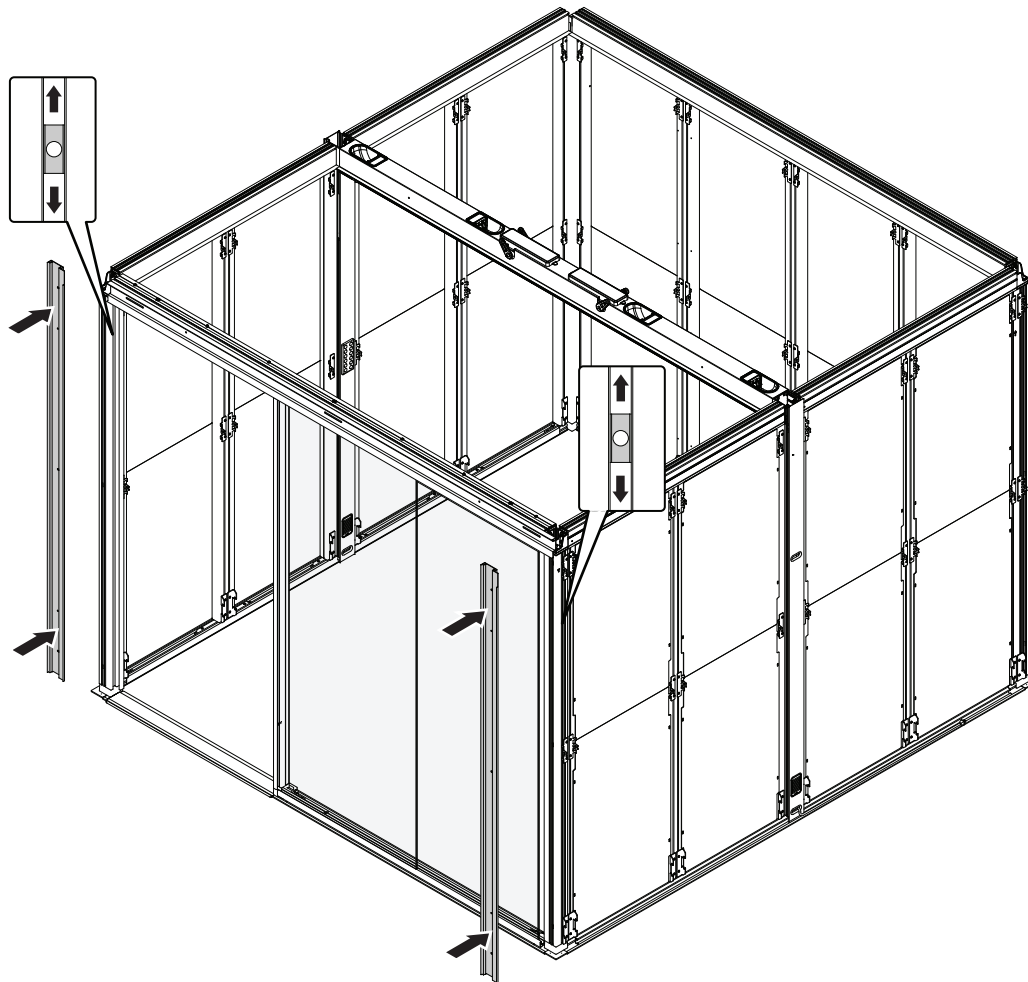


## Step 7.6 Glass Assembly



*Note: Do not fully tighten screws!*

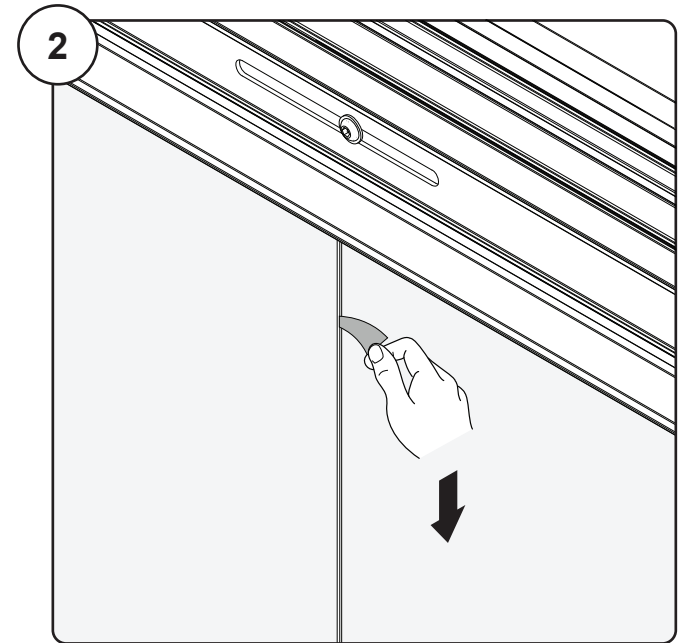
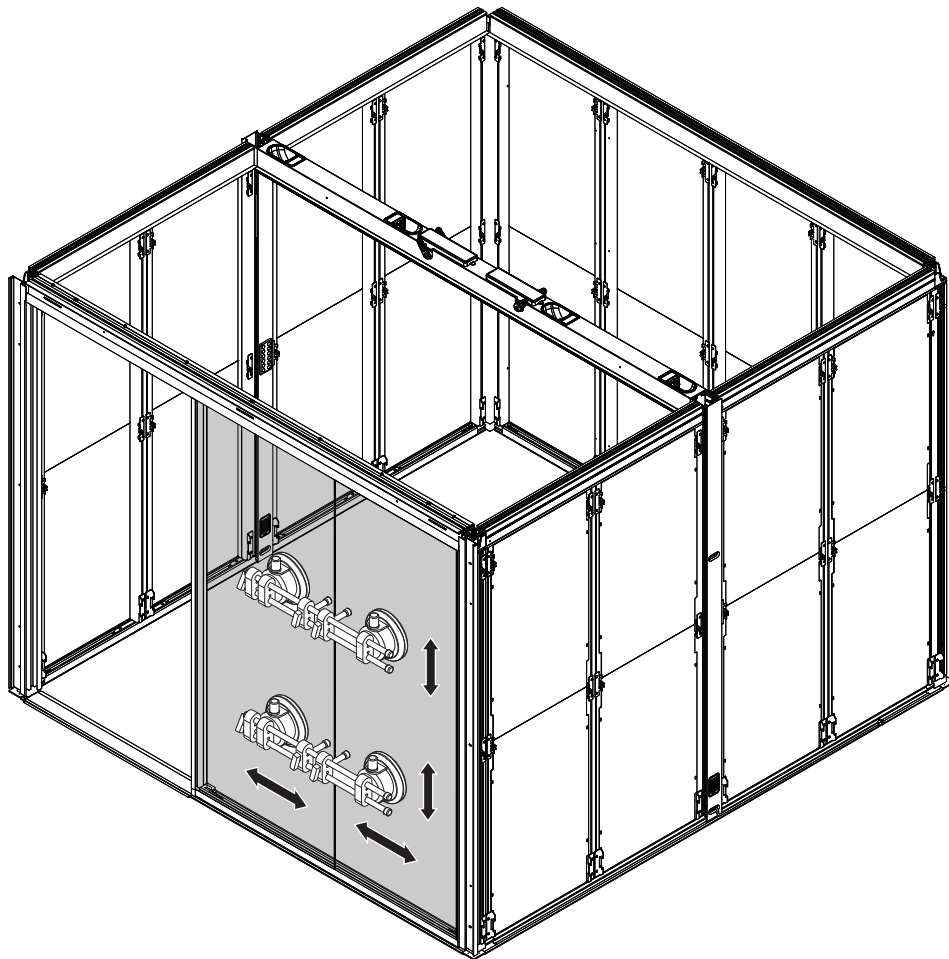
## Step 7.7 Glass Assembly



**Note: Do not fully tighten screws!**

## Step 7.8 Glass Assembly

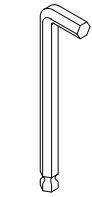
1. Attach glass clamps, leave small gap between glass panels.
2. Peel off tape release liner.
3. Tighten up clamps to bring the glass panels firmly against the tape.
4. Wait at least 30 minutes before removing the clamps.



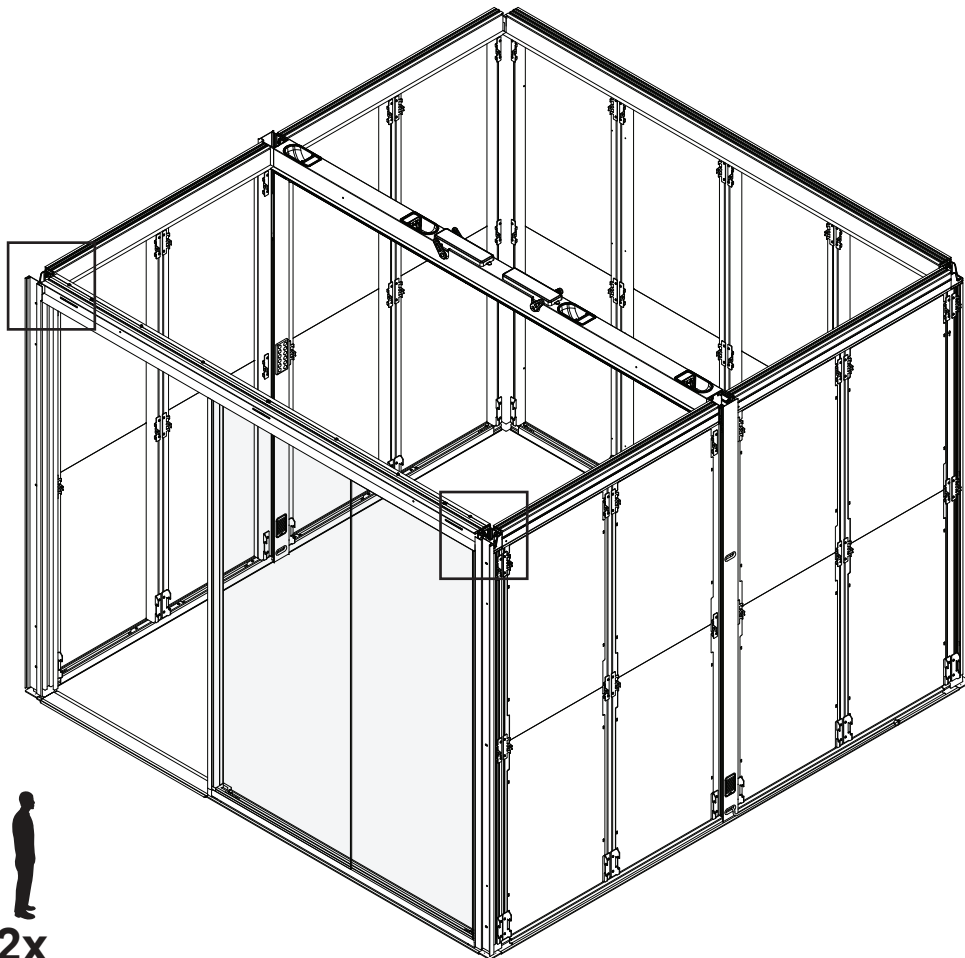
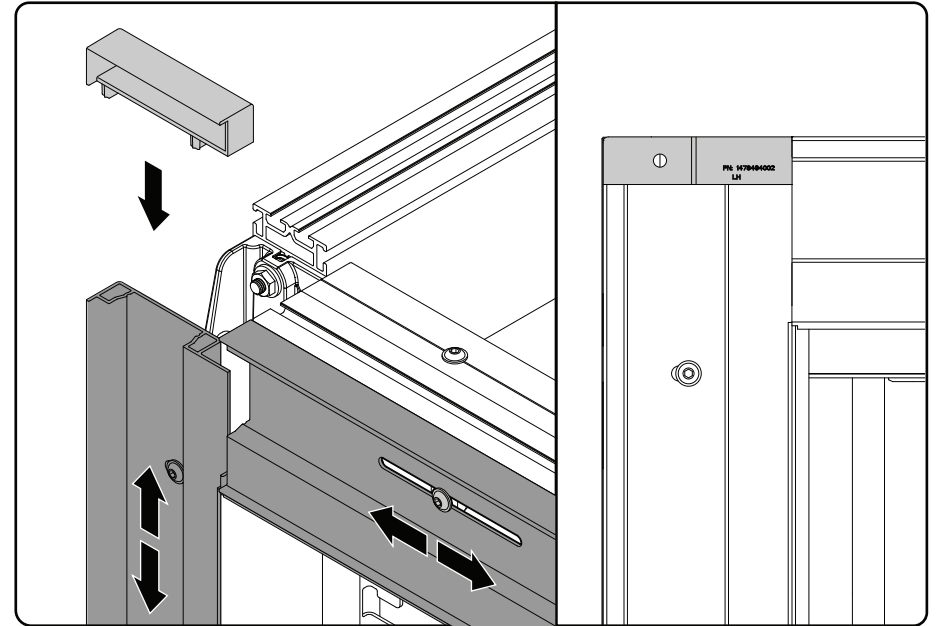
## Step 7.9

### Glass - Fascia Assembly

1. Slide the Fascia Holder's to make room for Corner Caps.
2. Set Fascia Holder's to be flush with Corner Caps.
3. Fully tighten Fascia Holder's screws.



4mm

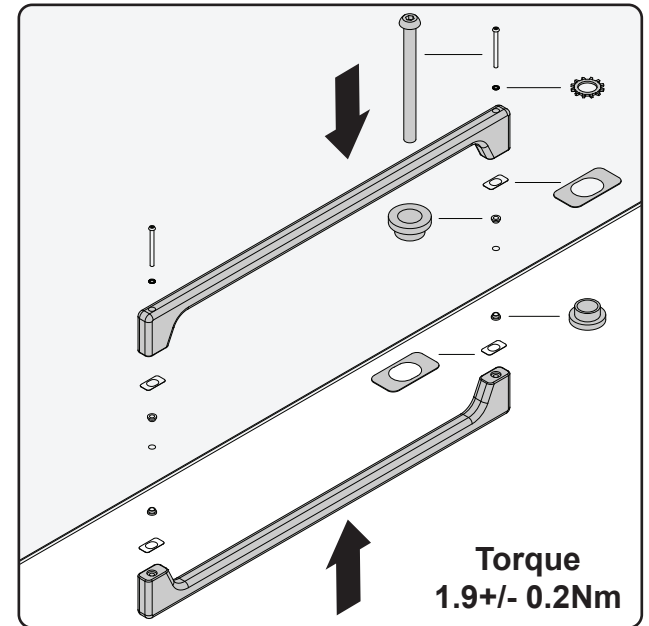
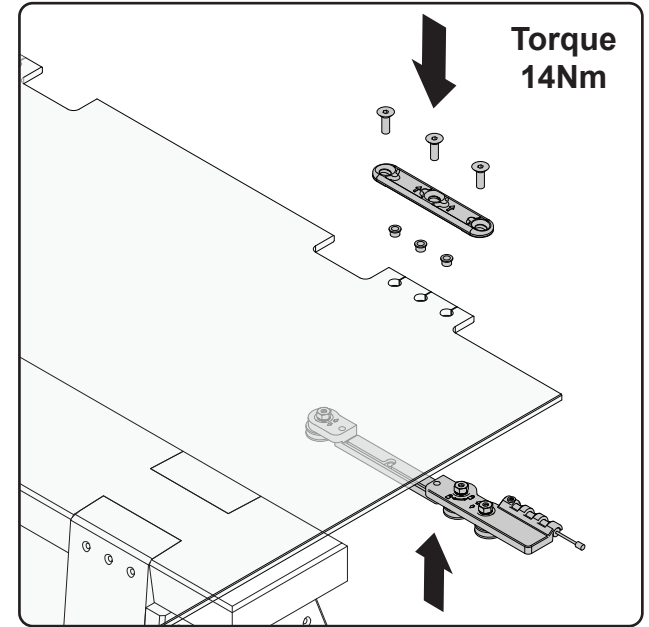
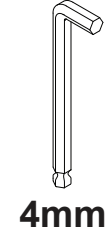
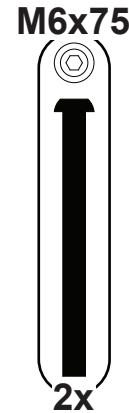
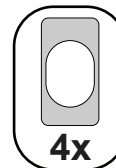
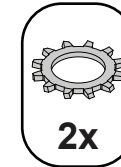
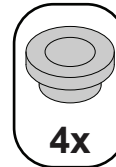
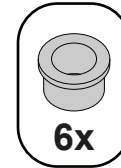
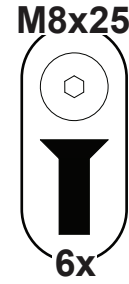
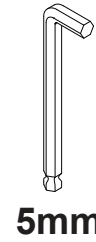
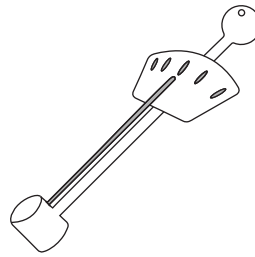
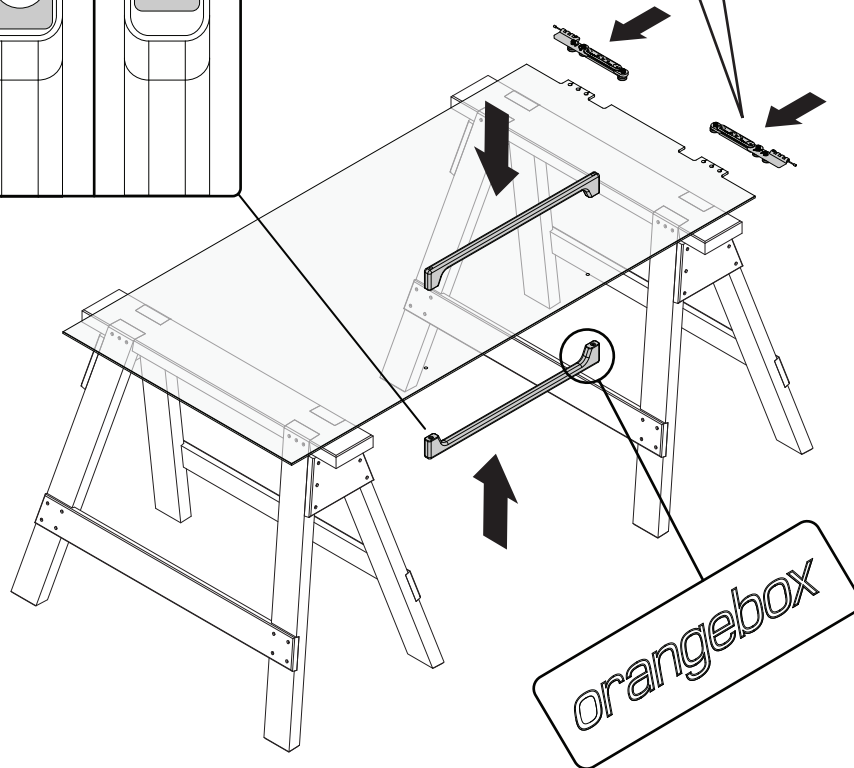
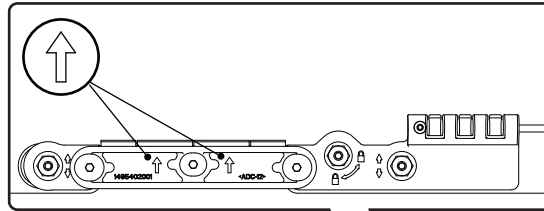
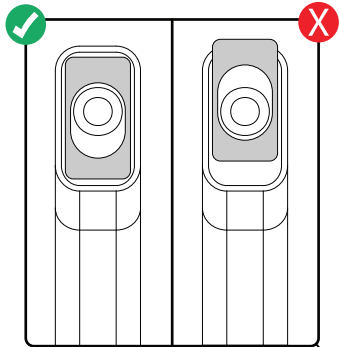


2x

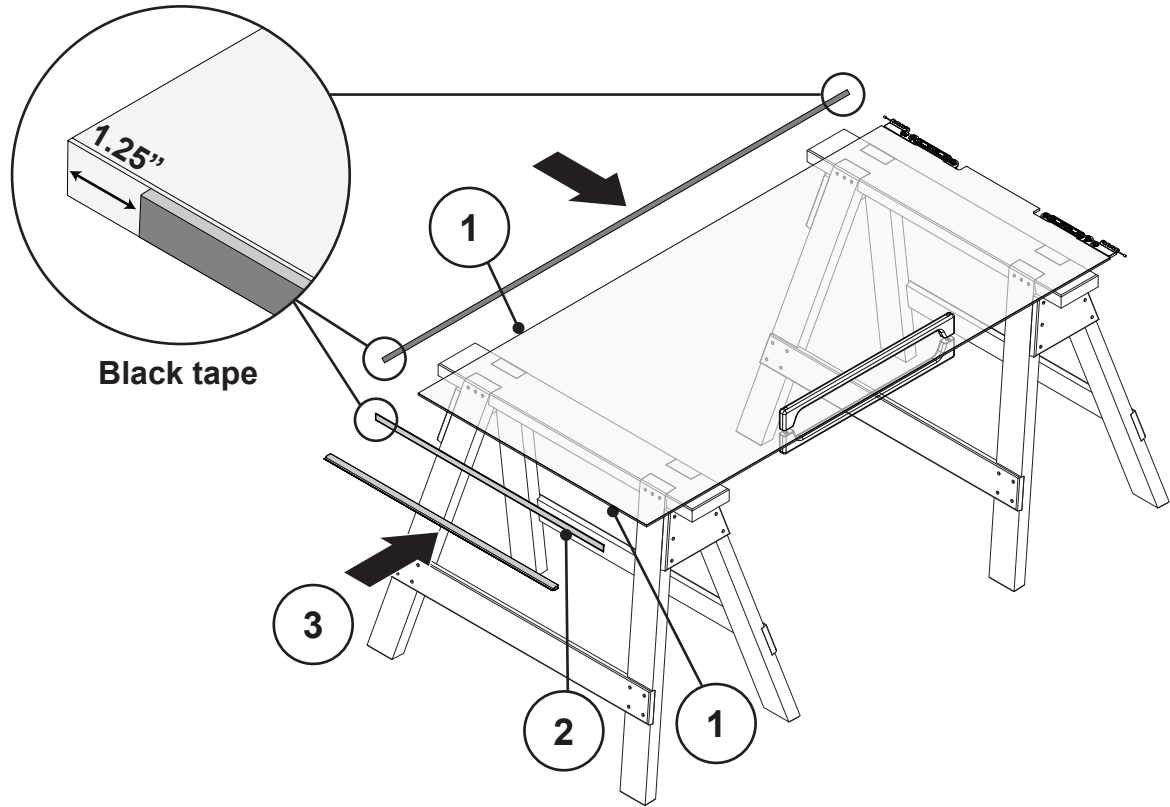
## Step 8.1 Door Assembly



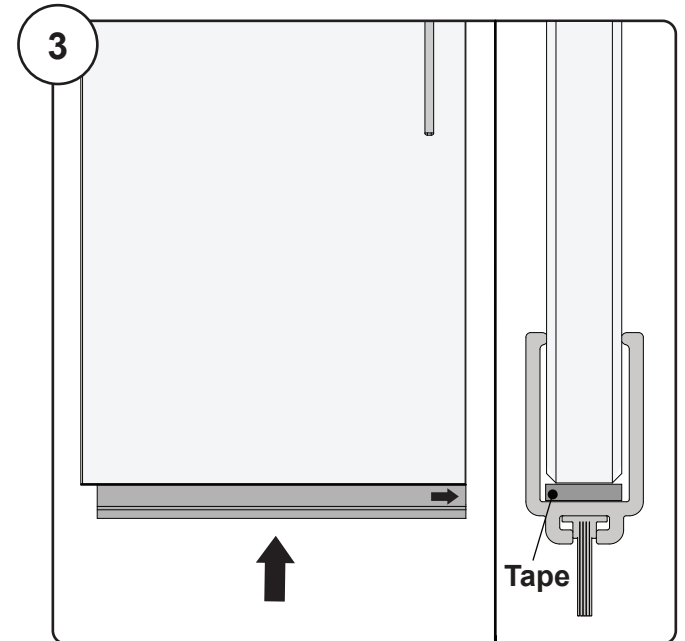
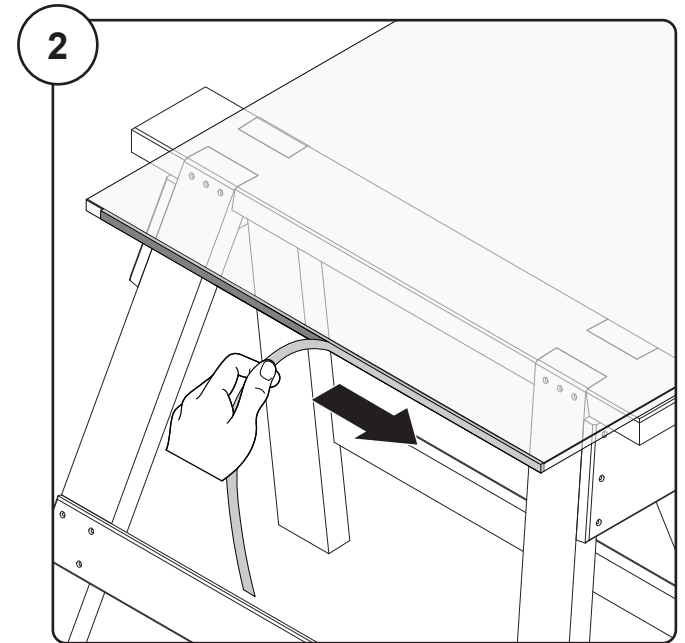
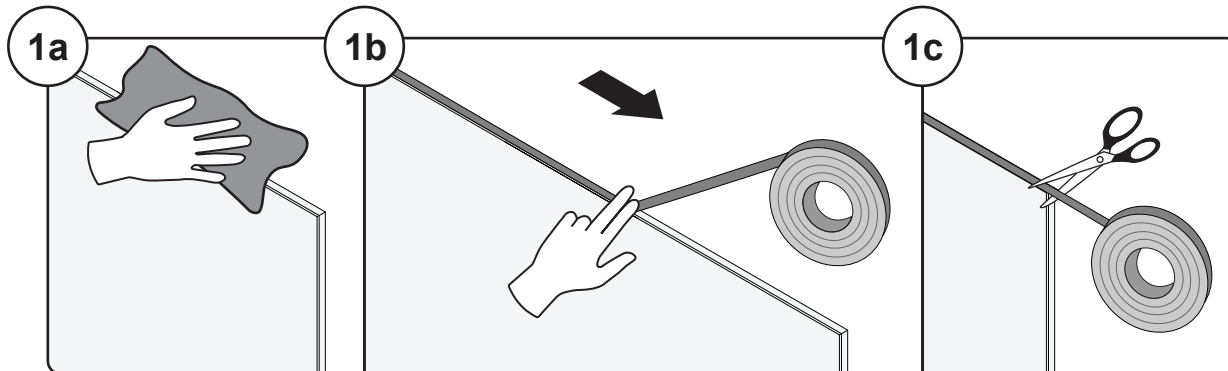
**! No Power Tools !**



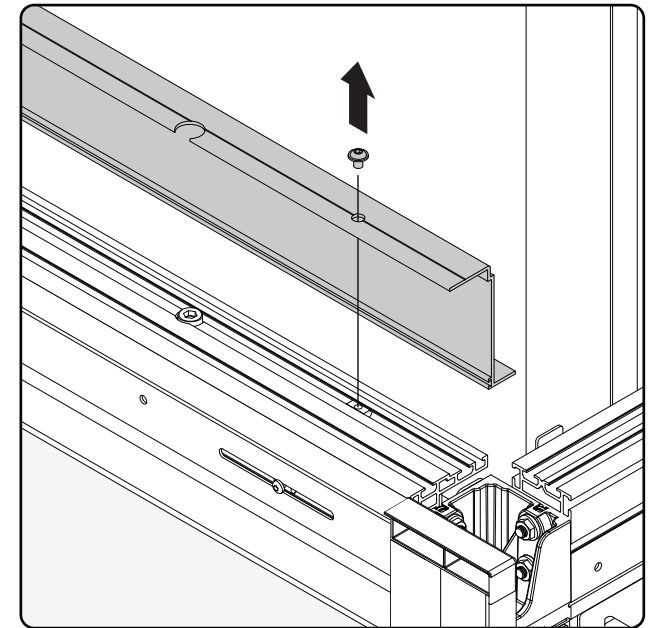
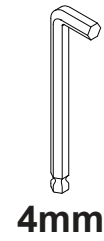
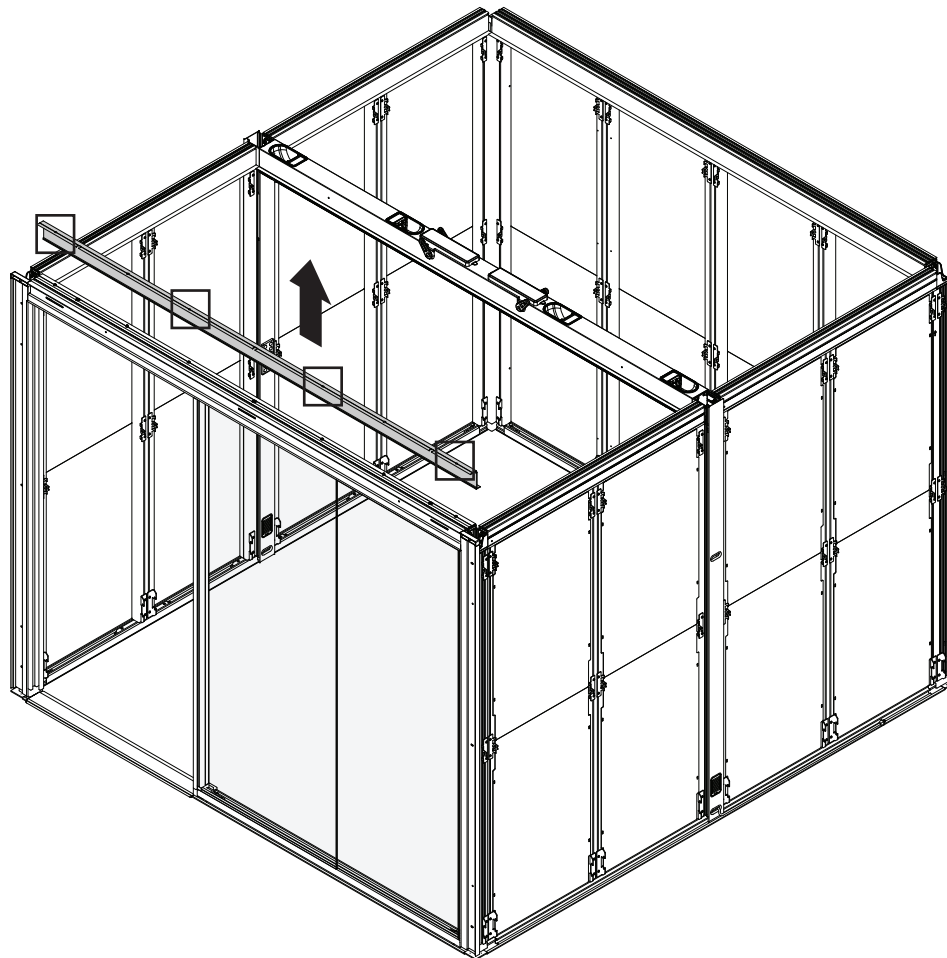
## Step 8.2 Door Assembly



Black tape

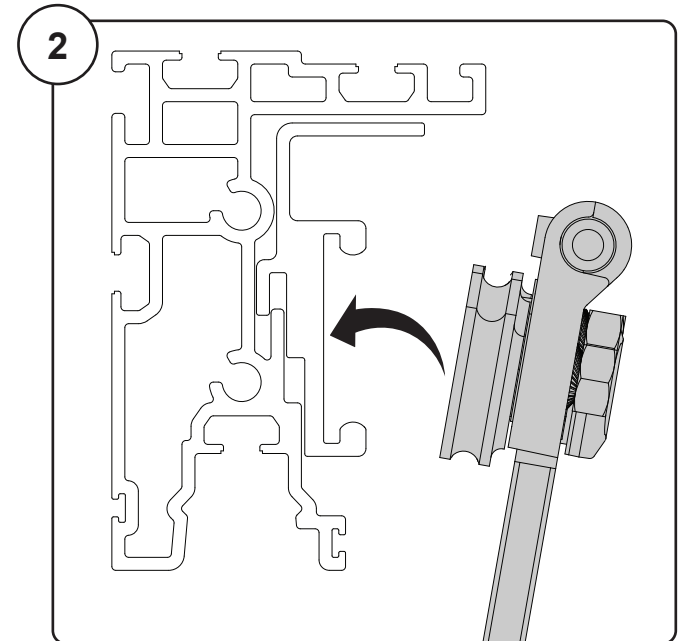
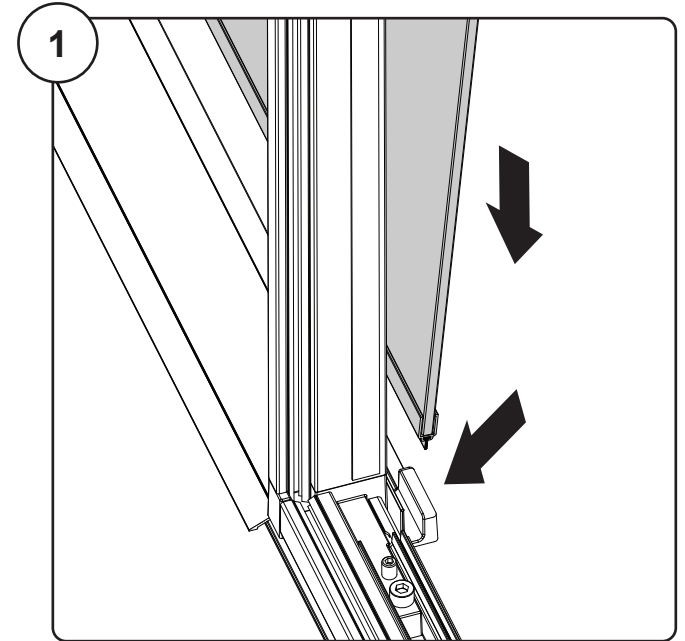
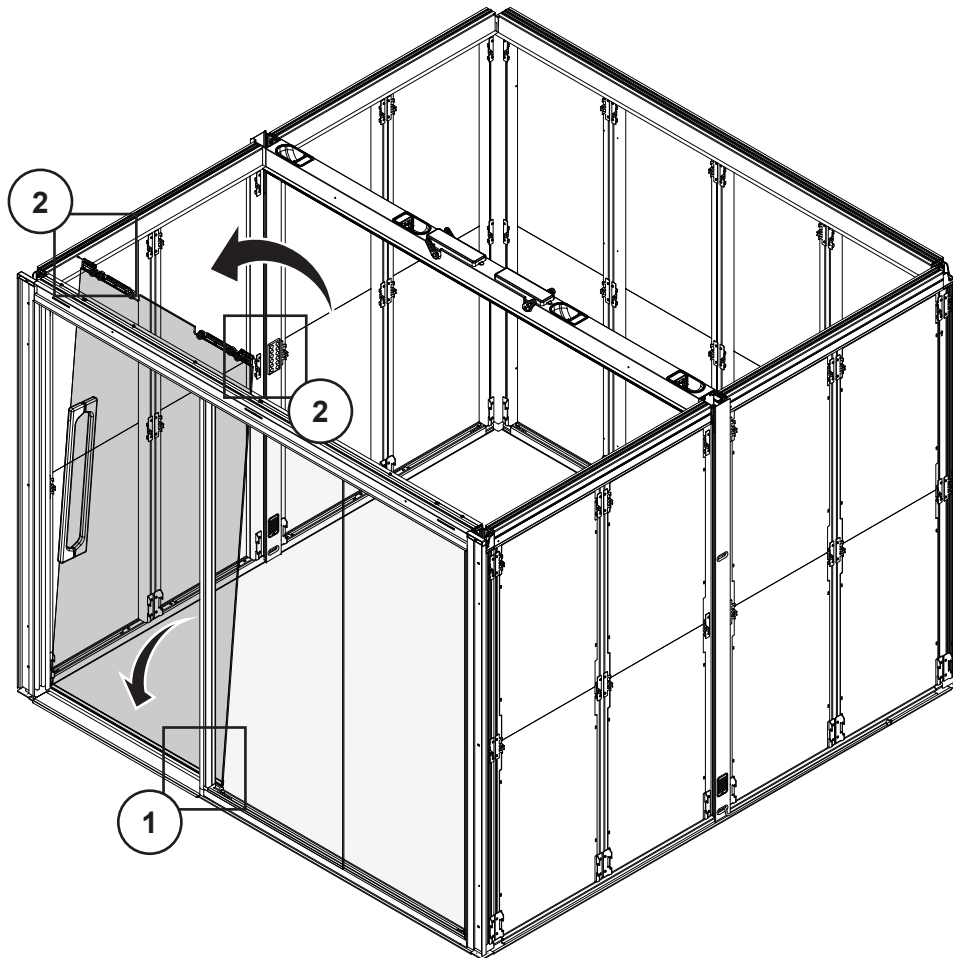


## Step 8.3 Door Assembly

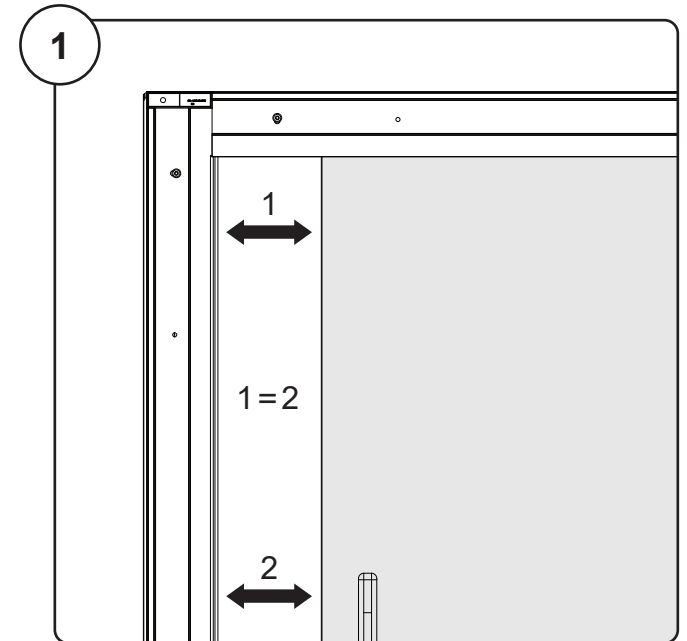
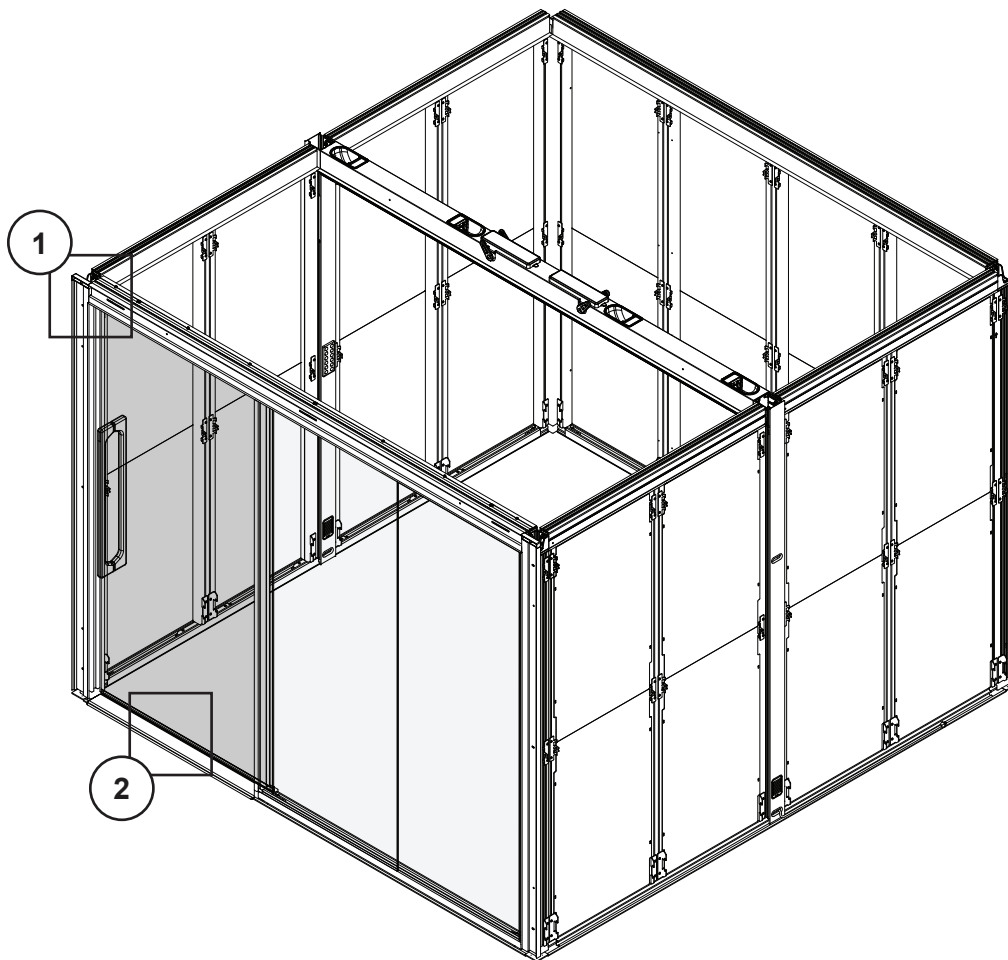


**Note:** Remove pre-installed top cover.

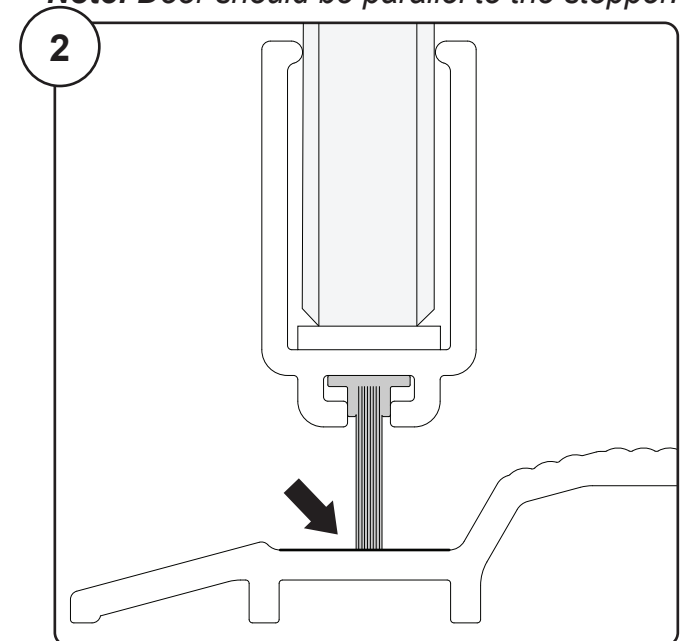
## Step 8.4 Door Assembly



## Step 8.5 Door Alignment

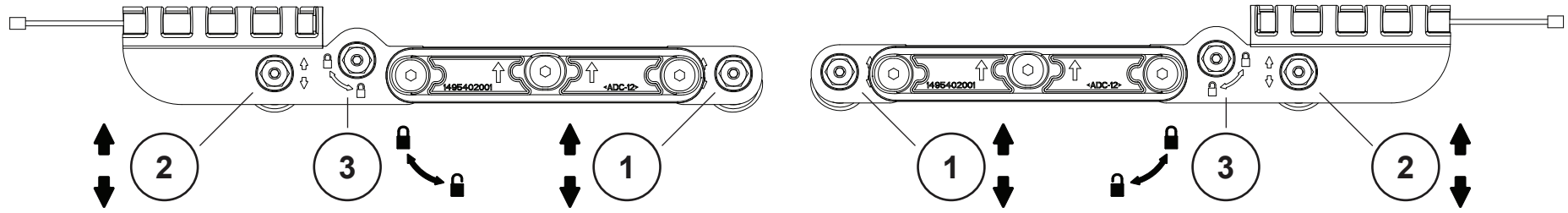


*Note: Door should be parallel to the stopper.*



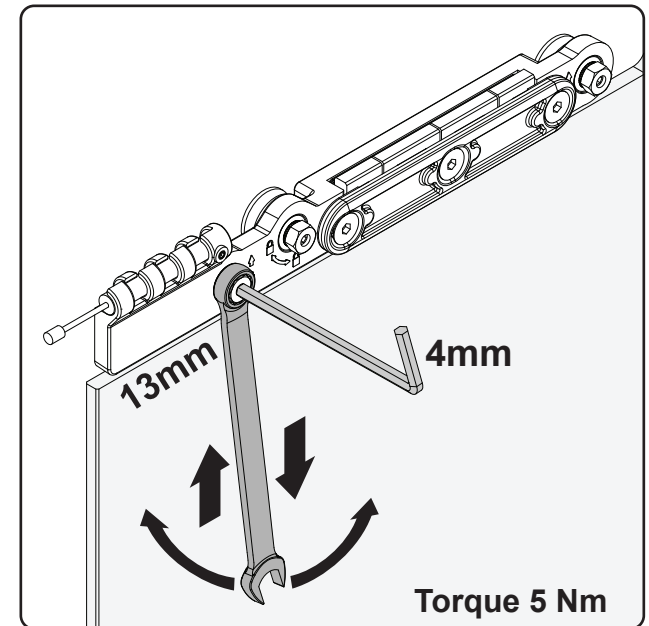
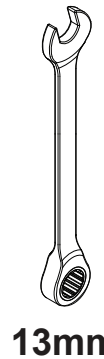
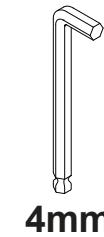
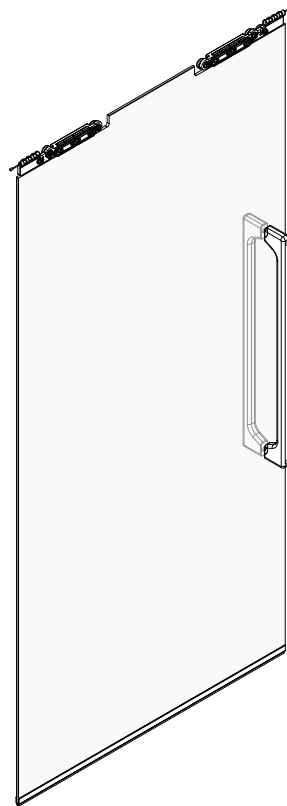
*Note: Brush should barely touch the threshold.*

## Step 8.6 Door Alignment

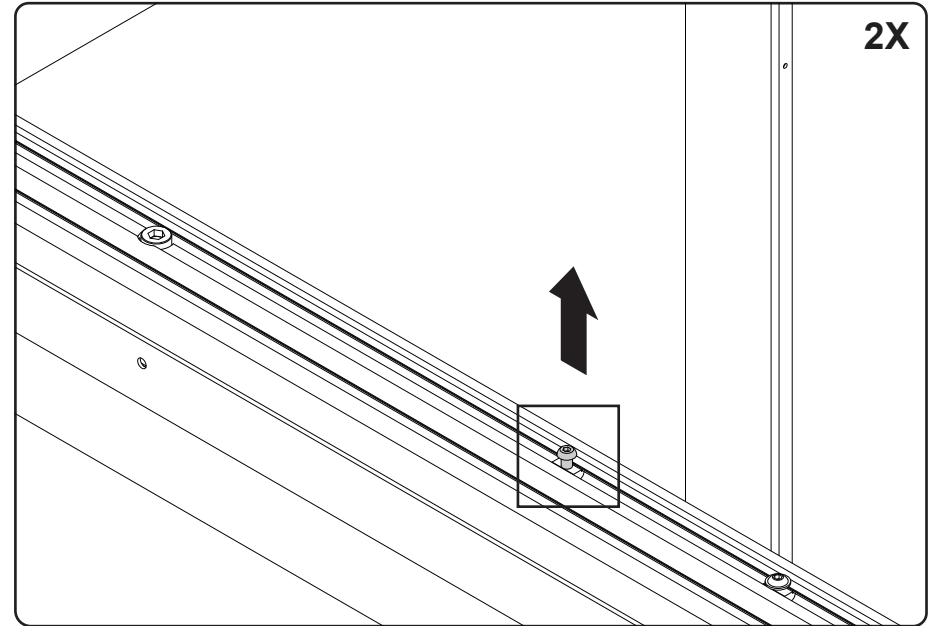
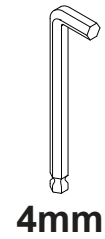


If needed, adjust the runners as instructed to tip the door up and down then lock into position ensuring the door is straight and runs smoothly.

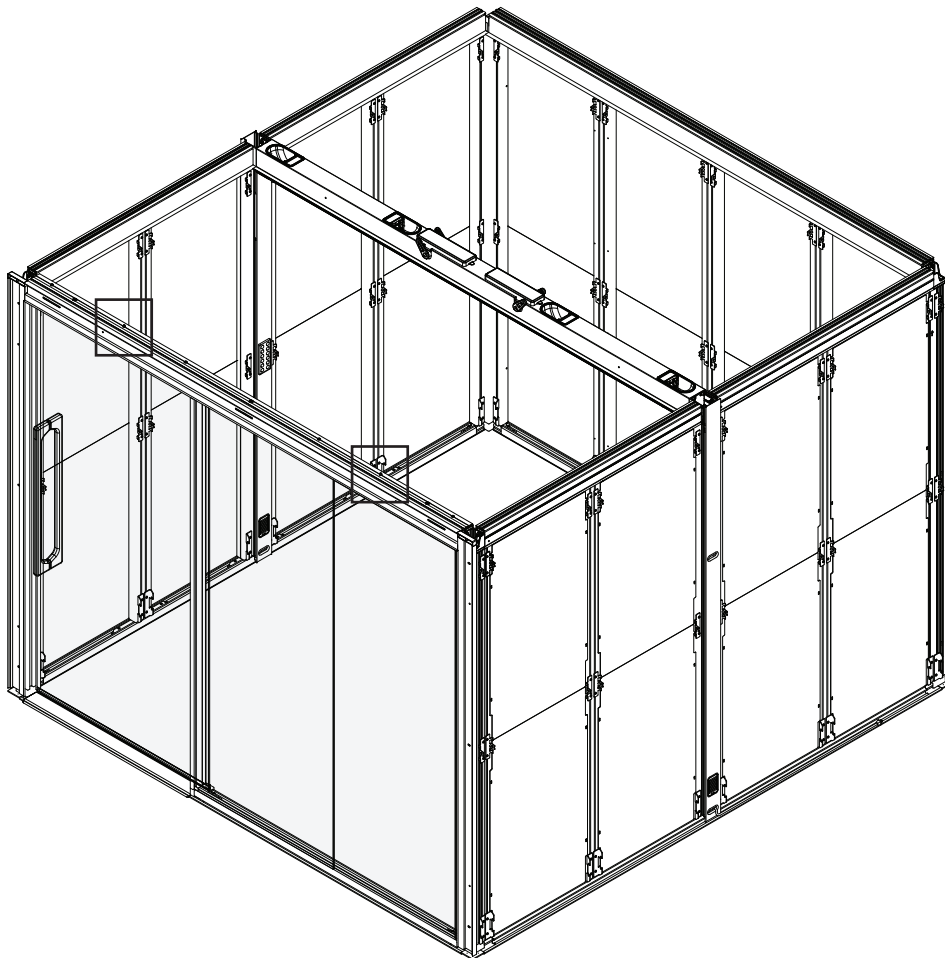
1. Adjust the 2 outer wheels firstly to set position and angle of door.
  2. Adjust the 2 inner wheels secondly to support position of runners.
  3. Adjust the 2 locking wheels thirdly to ensure runners cannot come off the track.
- Do not fully tighten against extrusion as this will prevent the door from moving.  
Leave approx 1mm gap between wheel and track.



## Step 8.7 Door Alignment

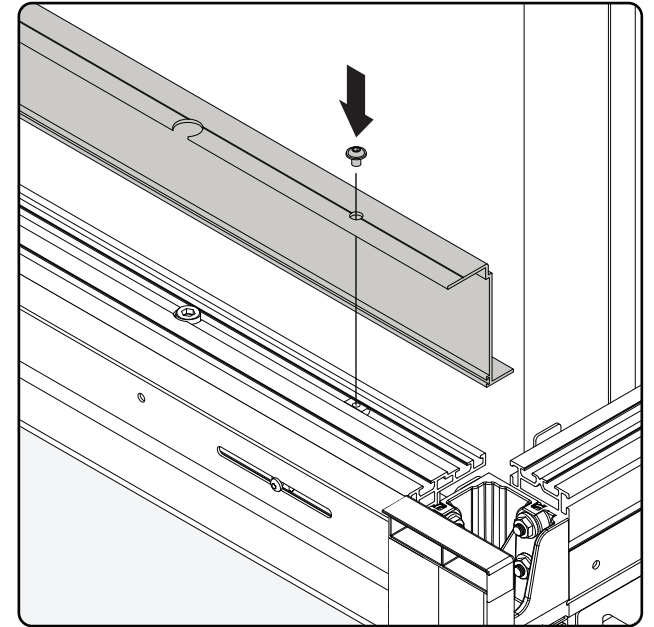
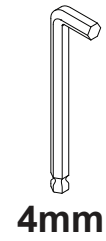
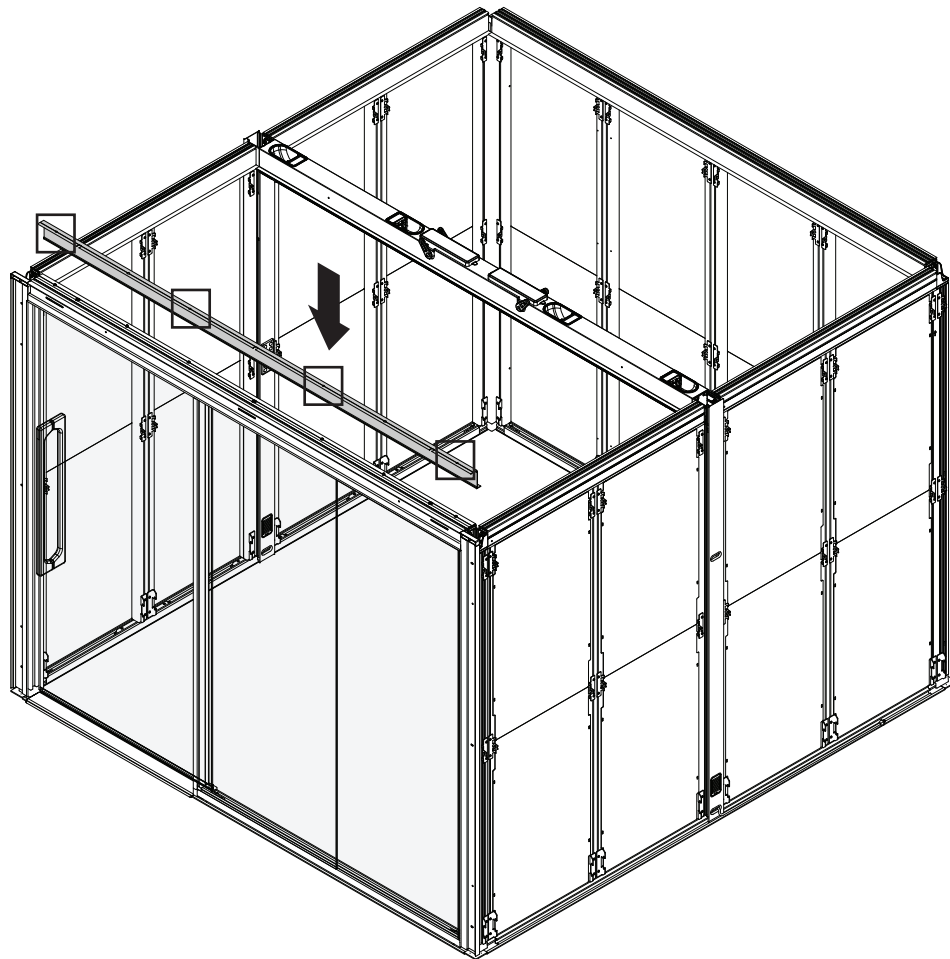


**Note:** Unlock top rail, loosen 2x screws.

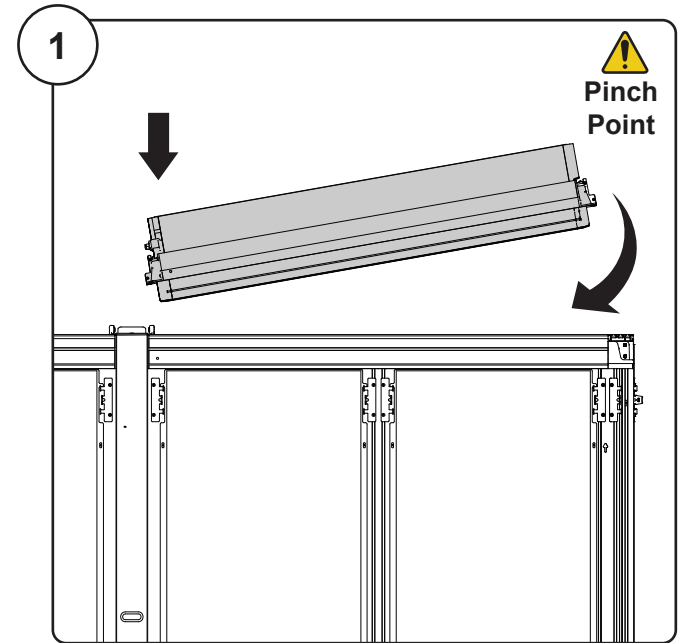
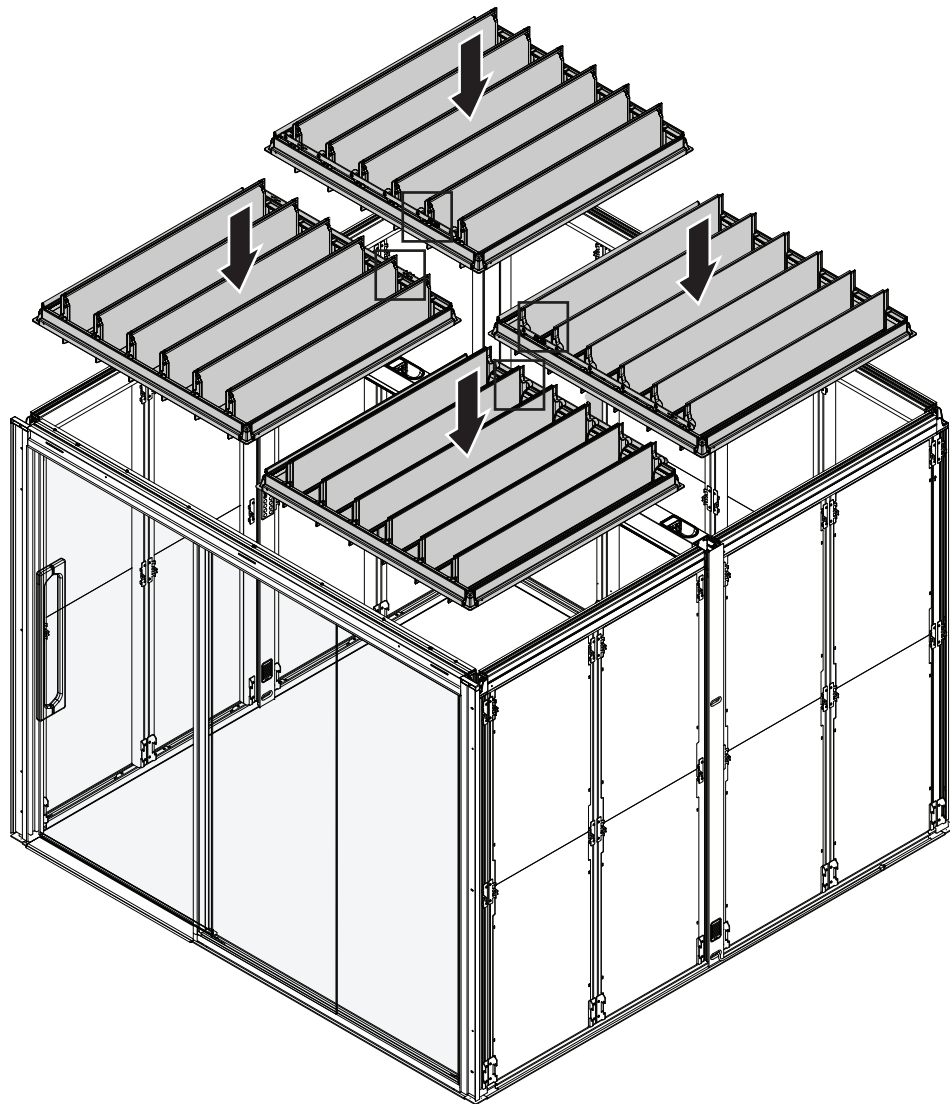


# orangebox

## Step 8.8 Door Assembly



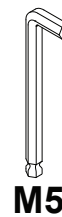
## Step 9.1 Roof Assembly



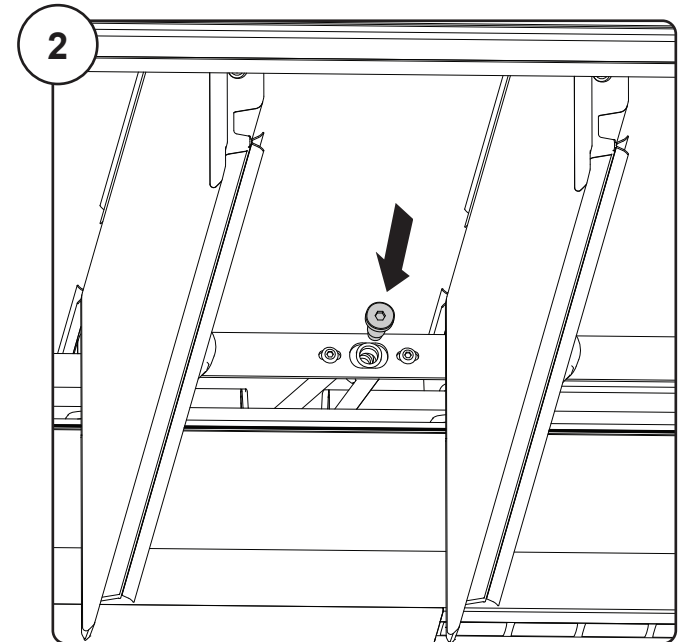
M8x30



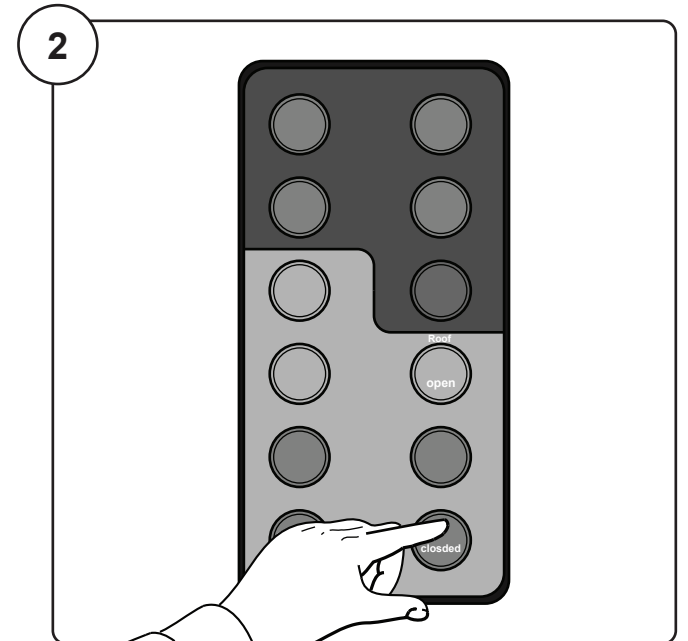
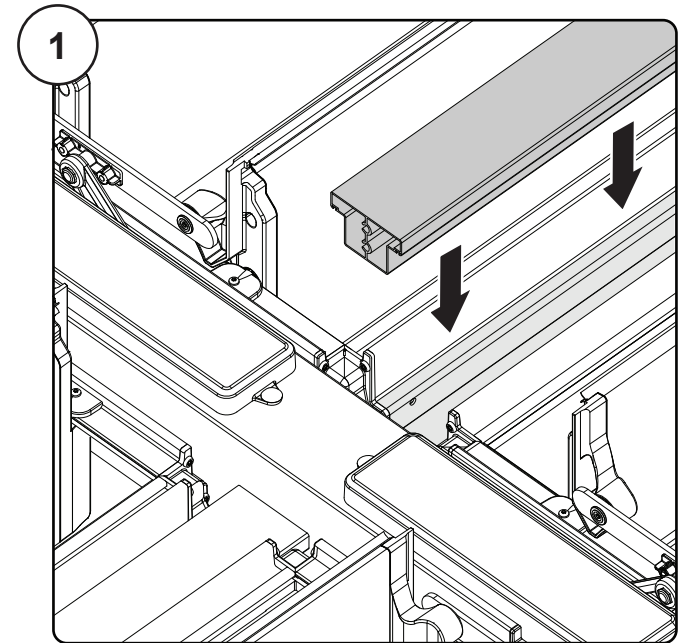
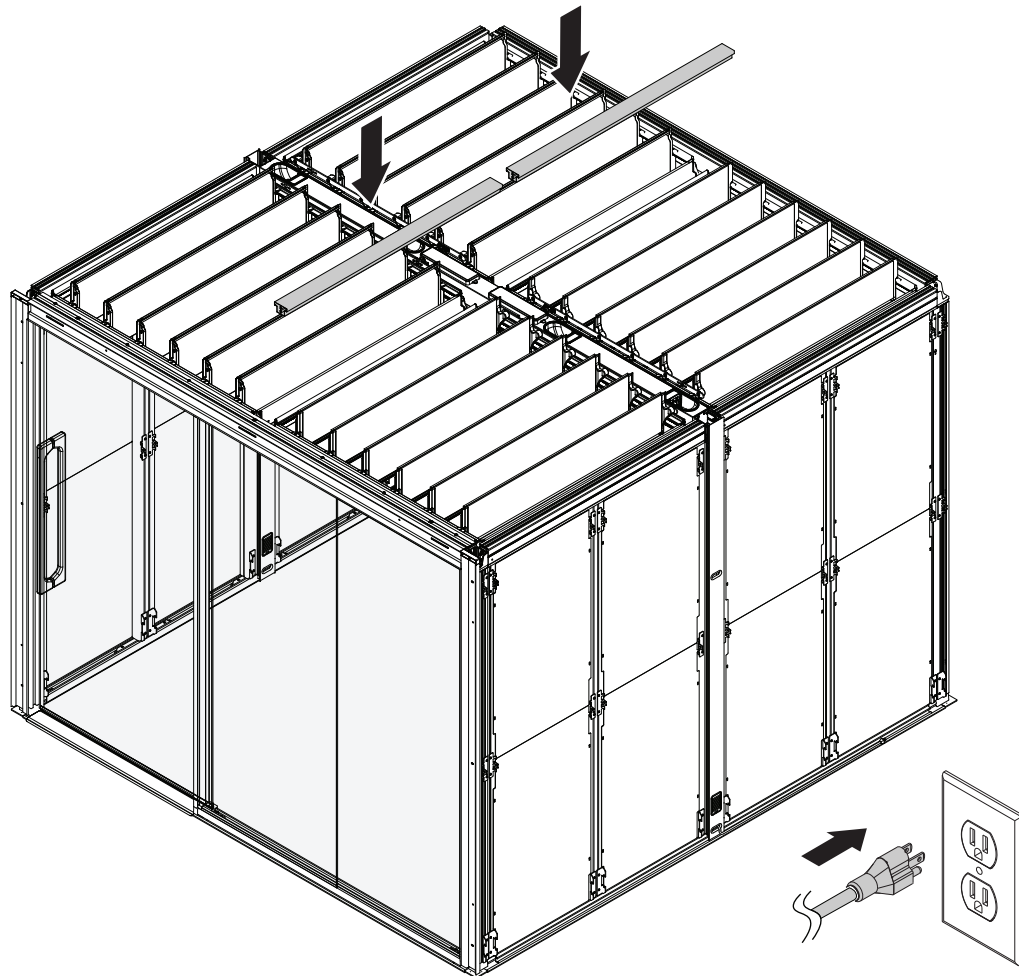
4x  
Kit 9



M5



## Step 9.2 Roof Assembly

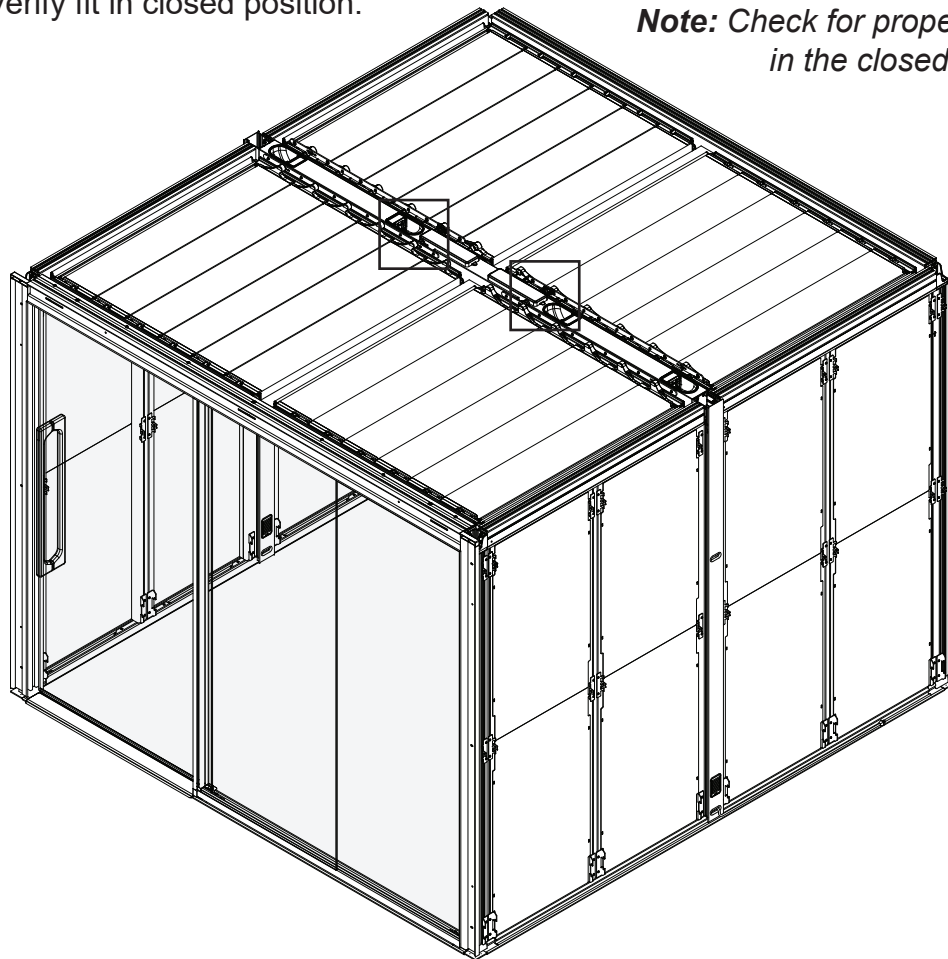


**Note:** Wait 30s after powering the unit.

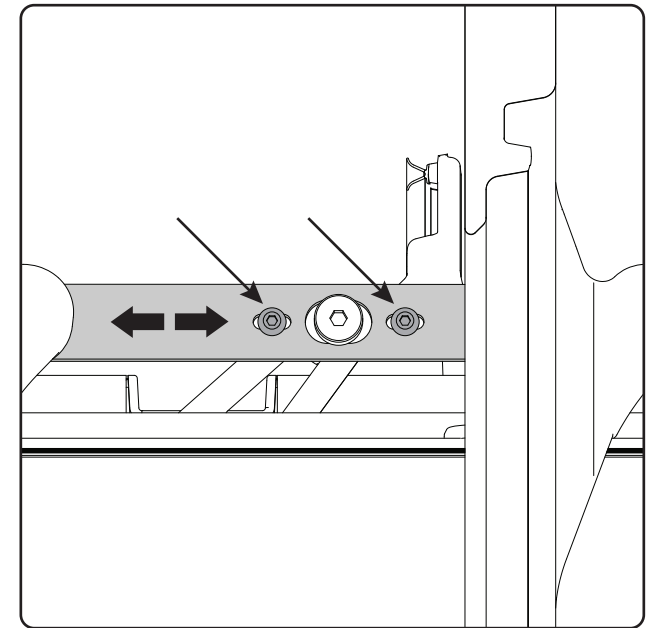
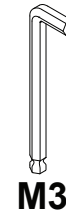
## Step 9.3 Roof Alignment

If adjustments needed:

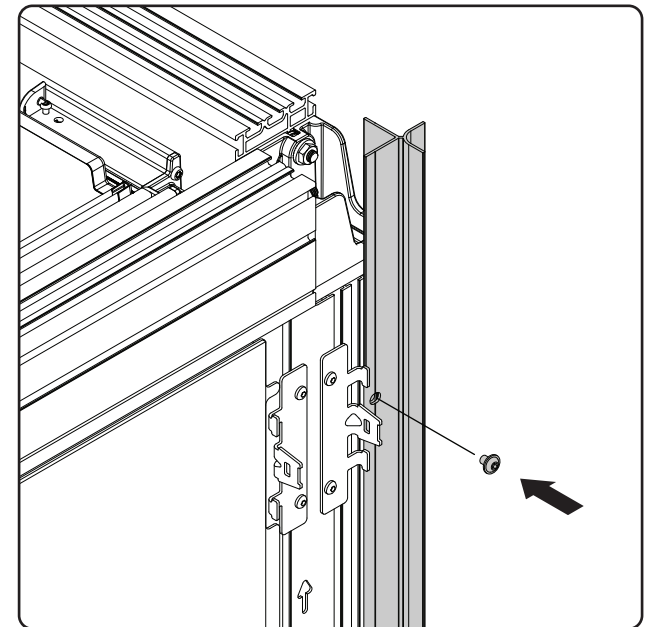
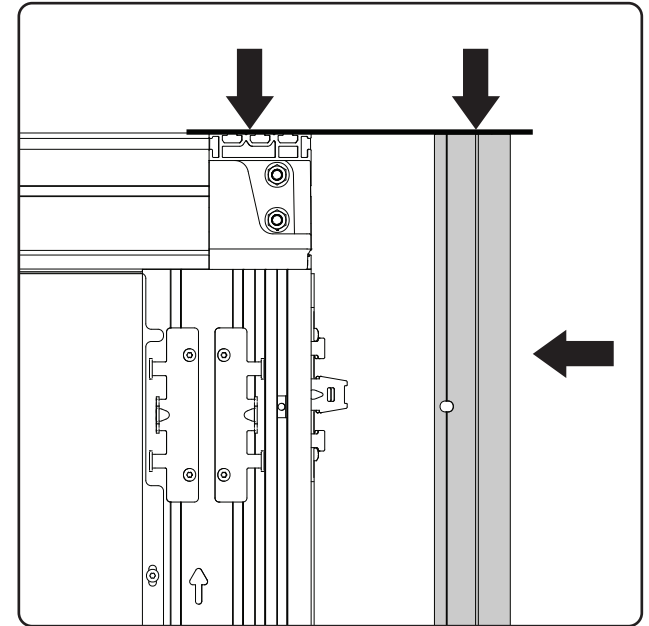
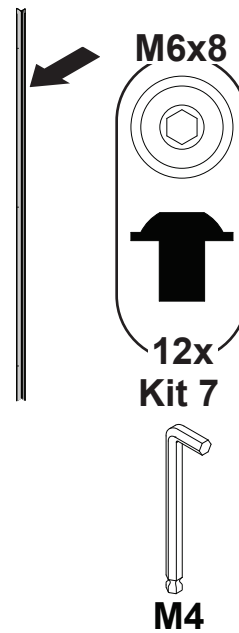
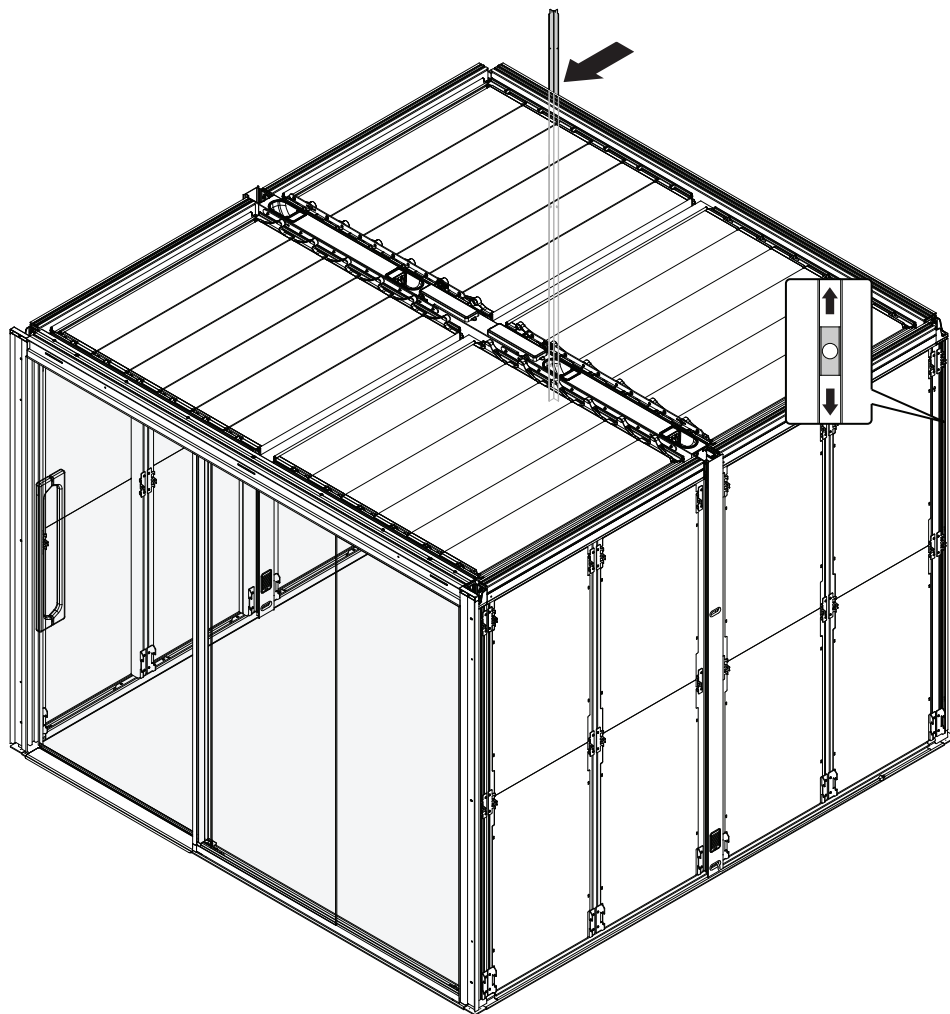
1. Open roof.
2. Loosen screws.
3. Adjust louver arm positions.
4. Tighten screws.
5. Close roof.
6. Verify fit in closed position.



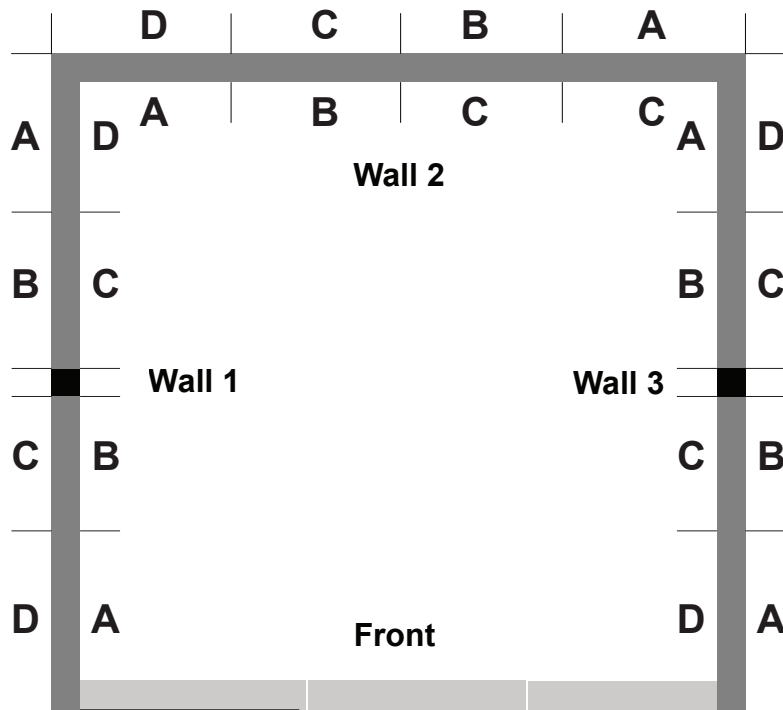
**Note:** Check for proper fit of roof blades in the closed position.



## Step 10.1 Fascia Assembly

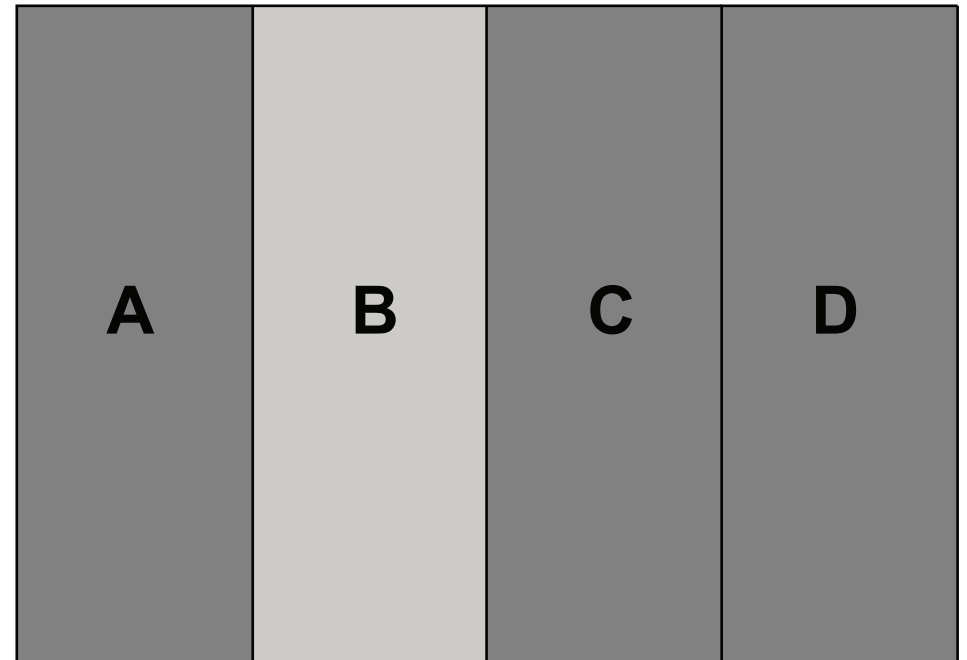


## Wall and Panel Position



Wall and panel positions always start from the left.

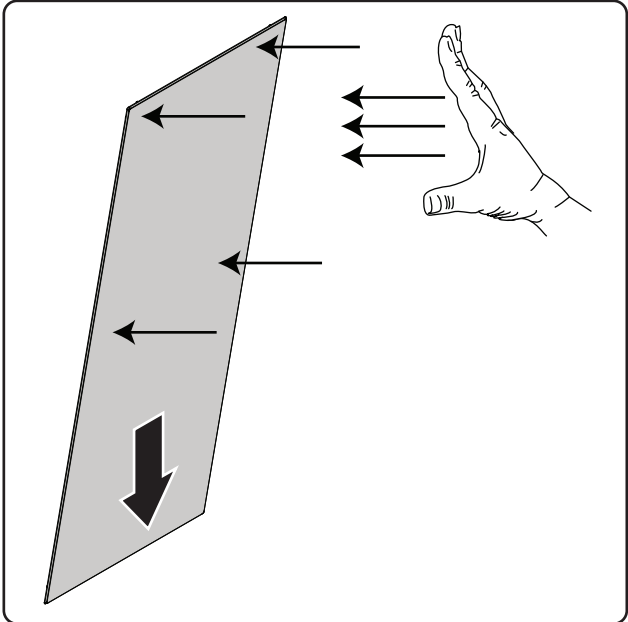
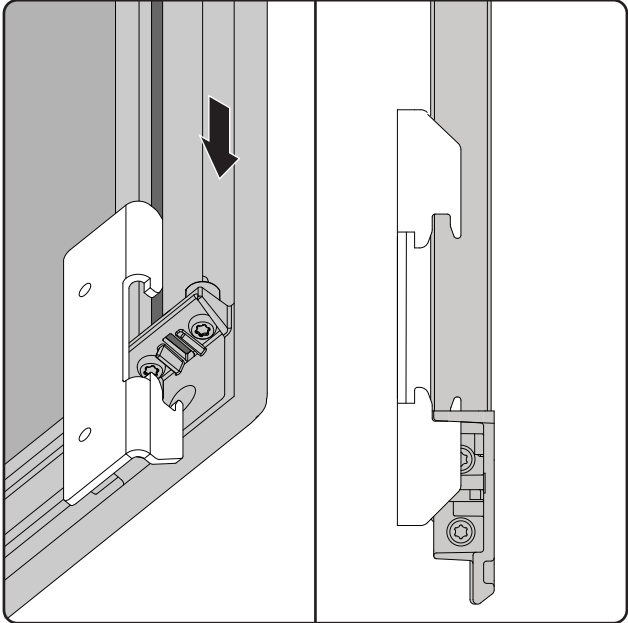
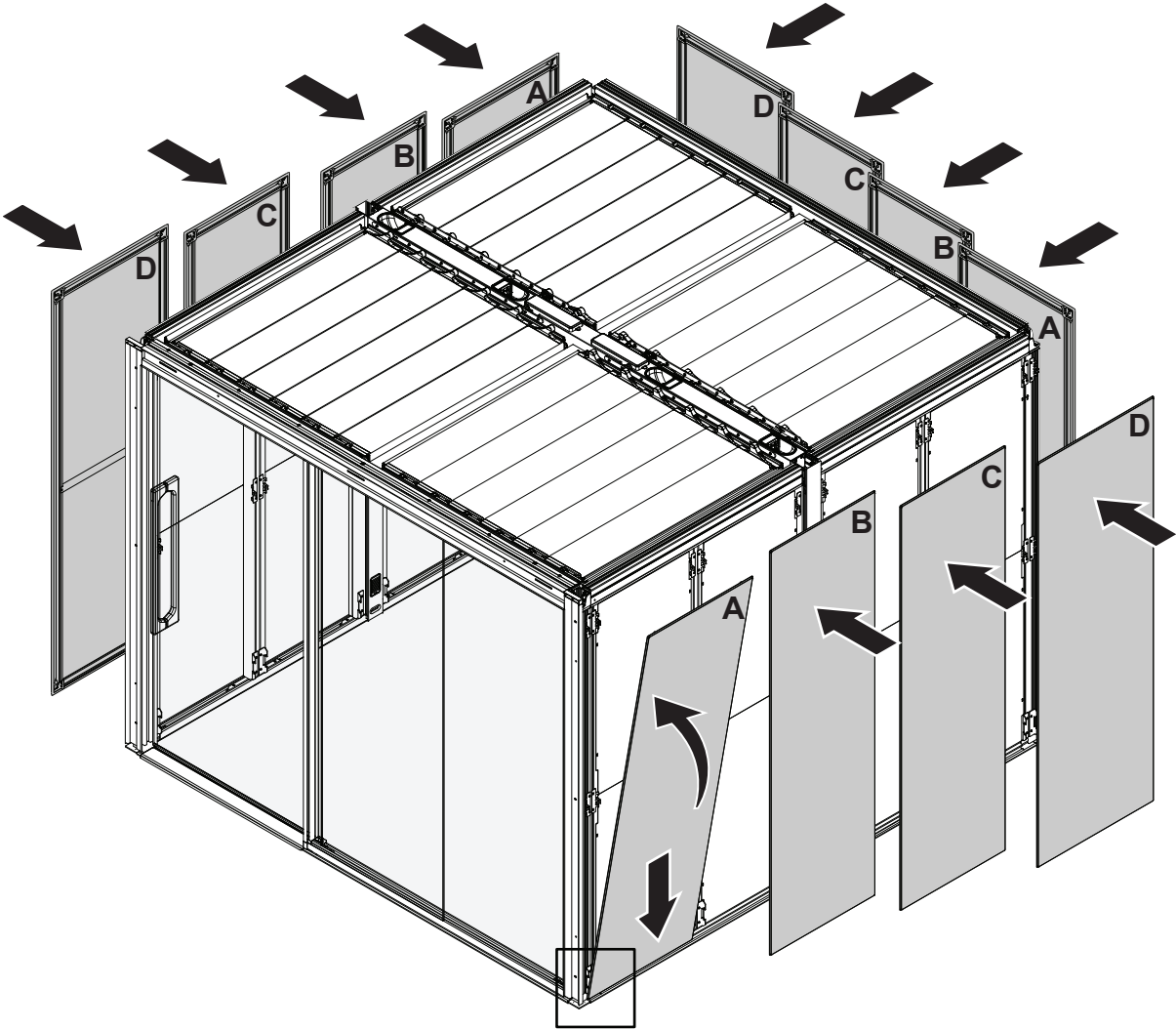
## Vertical Panels



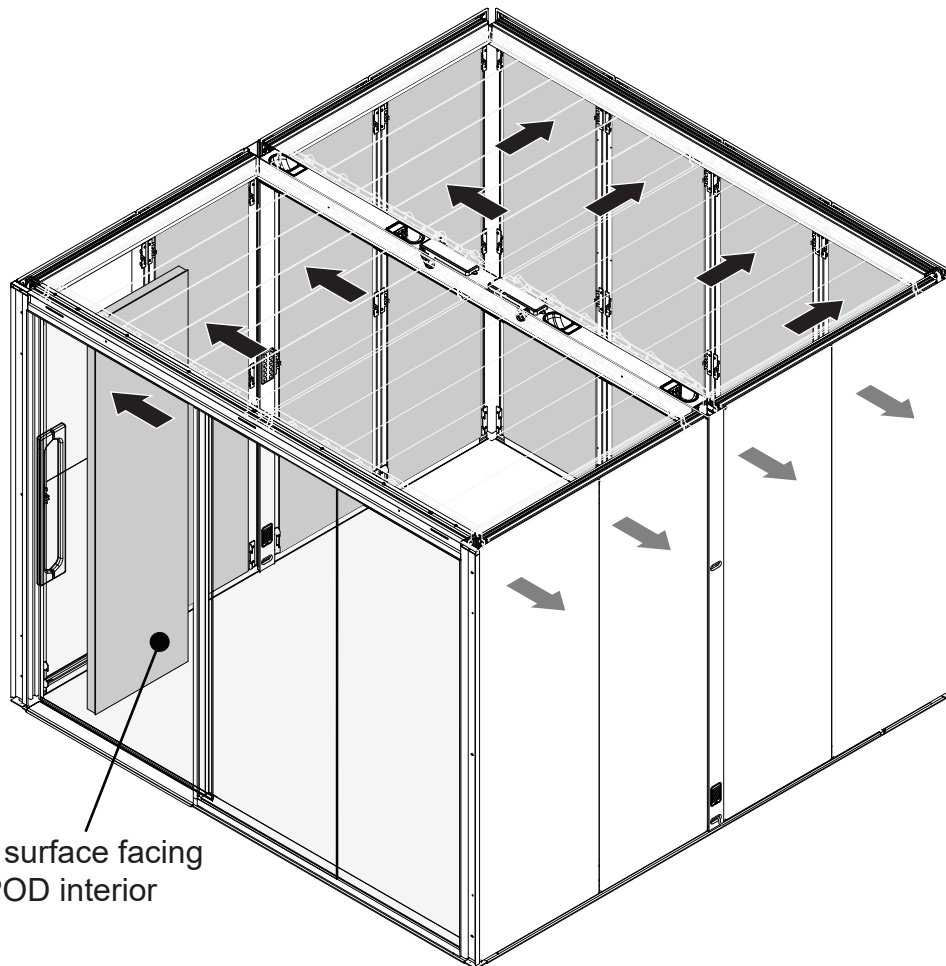
Application Rules:

Only a single panel will be specifiable as contrasting.

## Step 10.2 Exterior Panels Assembly

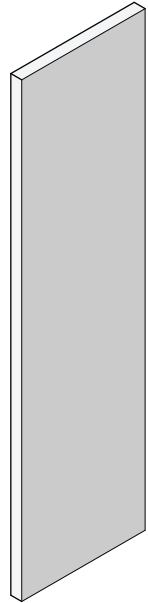


## Step 10.3 Acoustic Panels Assembly

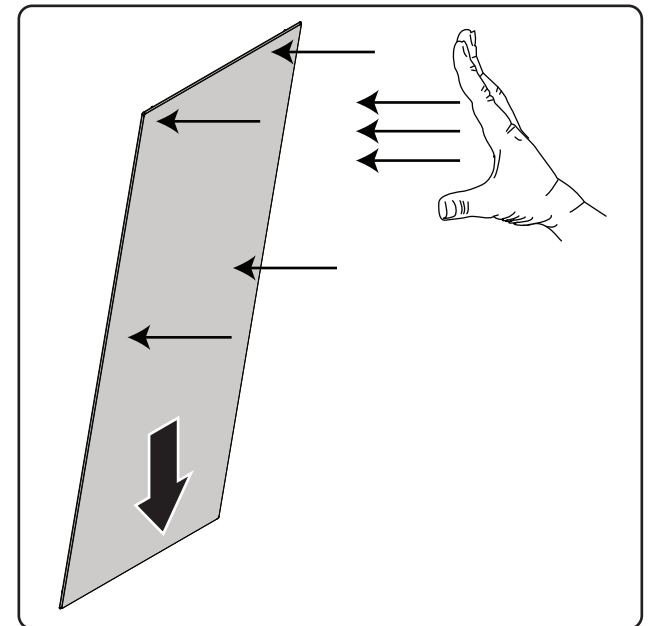
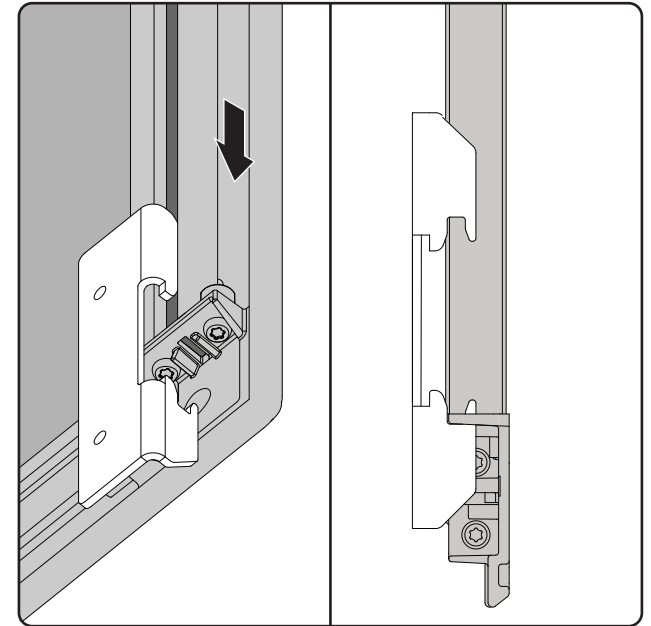
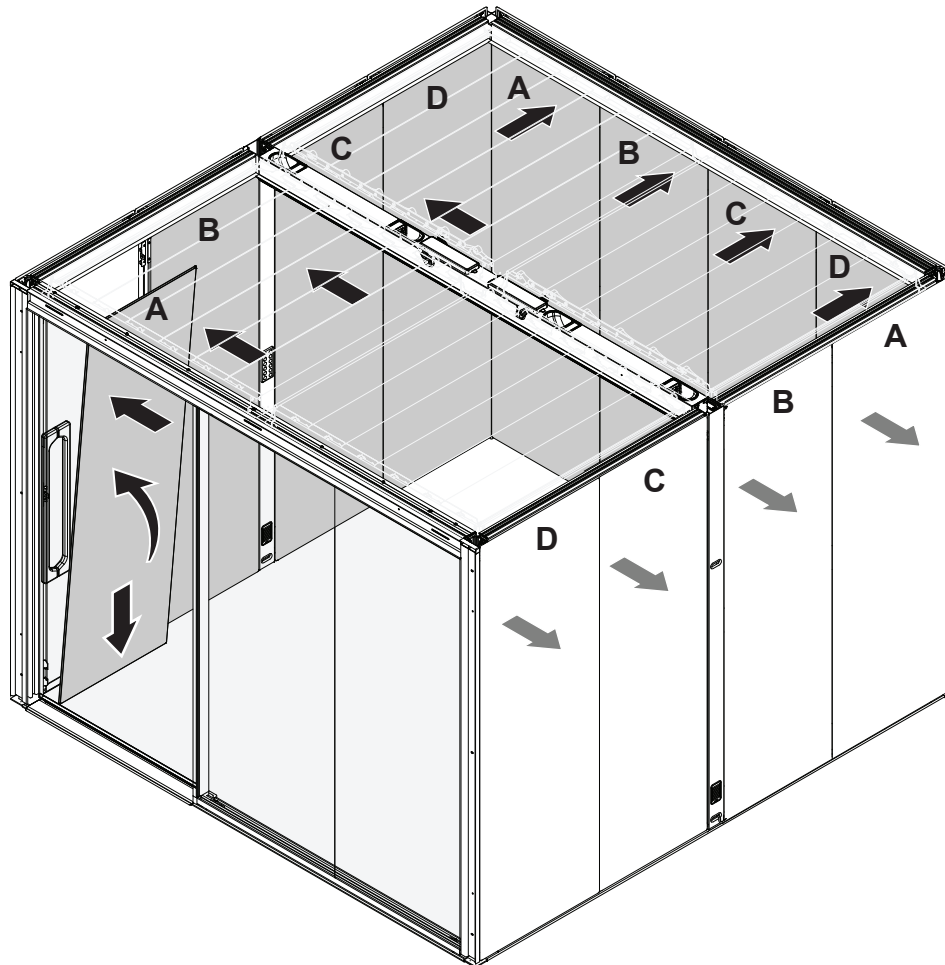


Hard surface facing  
POD interior

12x



## Step 10.4 Interior Panels Assembly



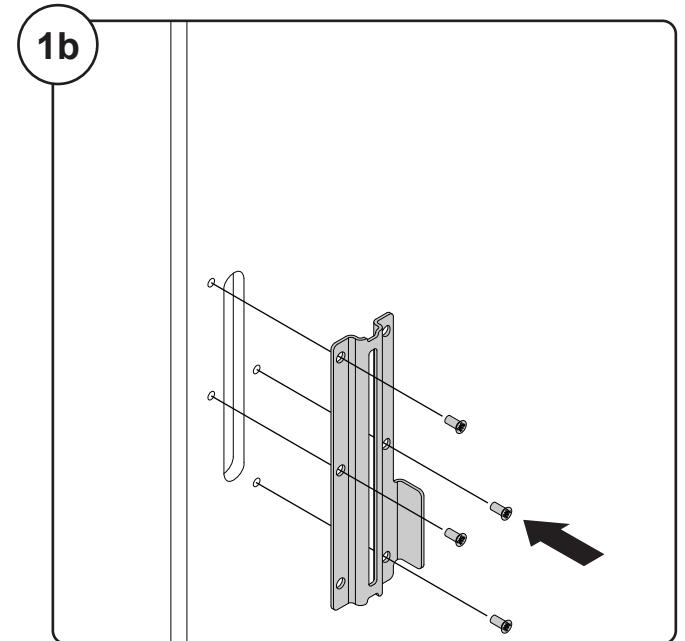
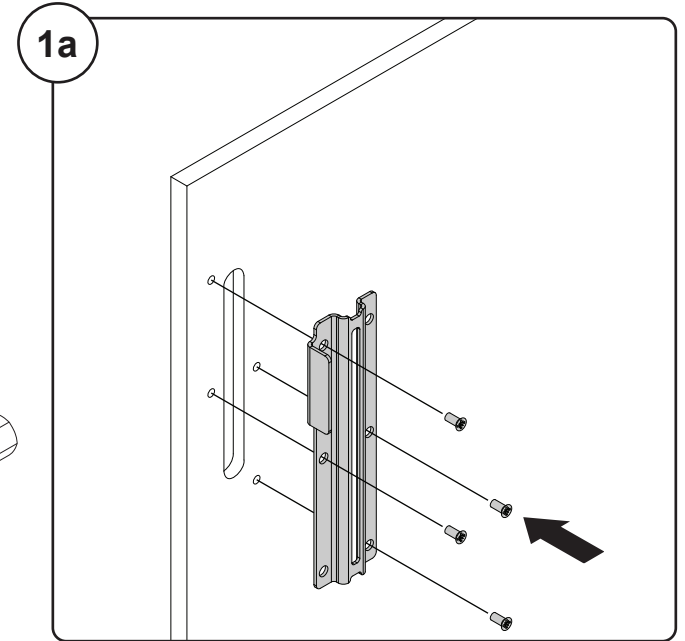
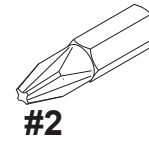
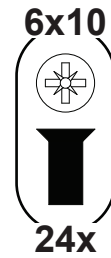
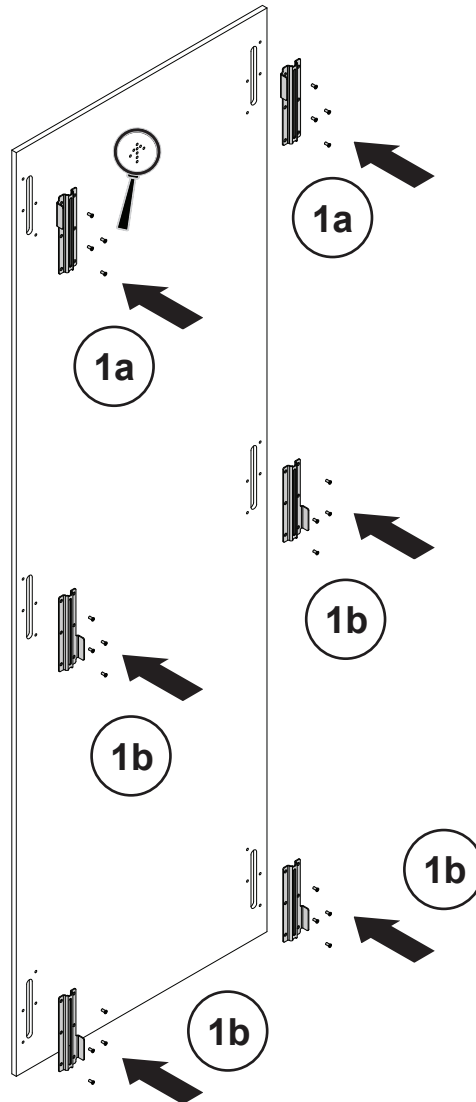
## Step 10.5 Optional HPL Panels Assembly

HPL Panel Parcels: 1529332001; 1529332002; 1529332003;

This side up

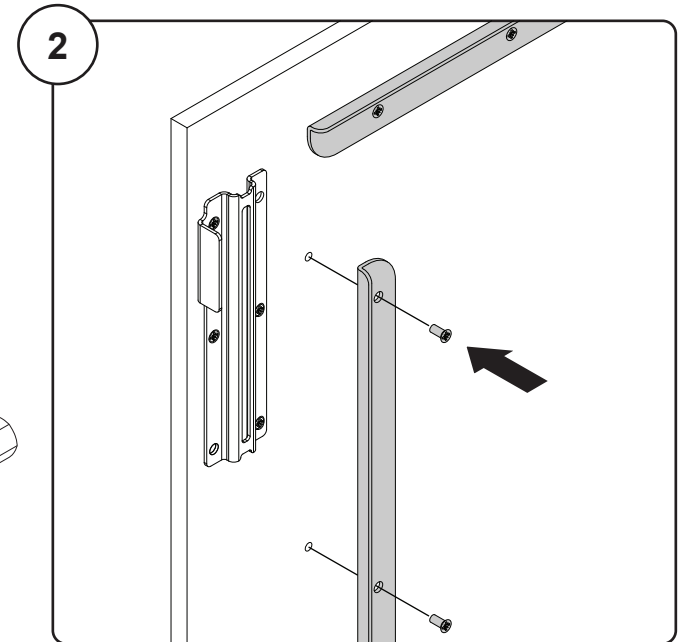
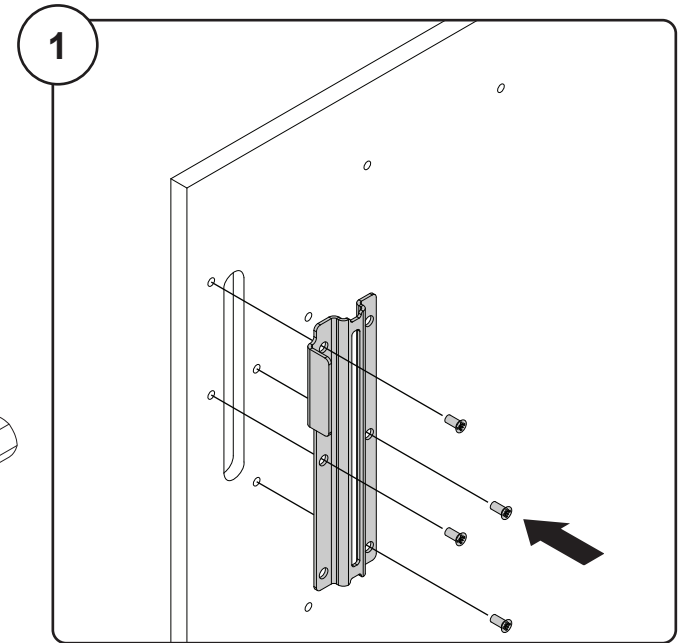
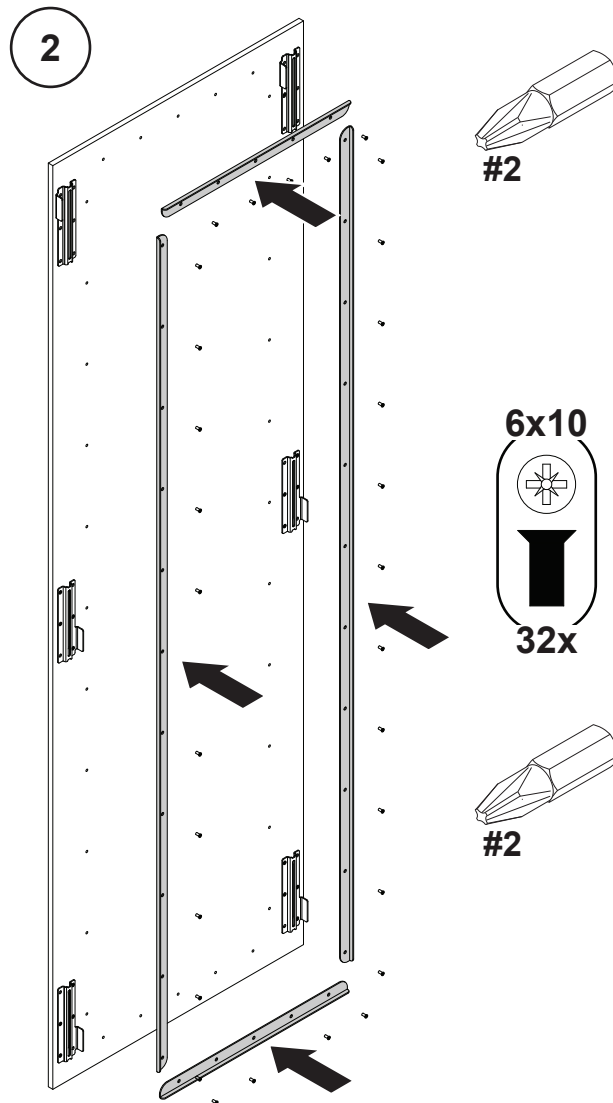
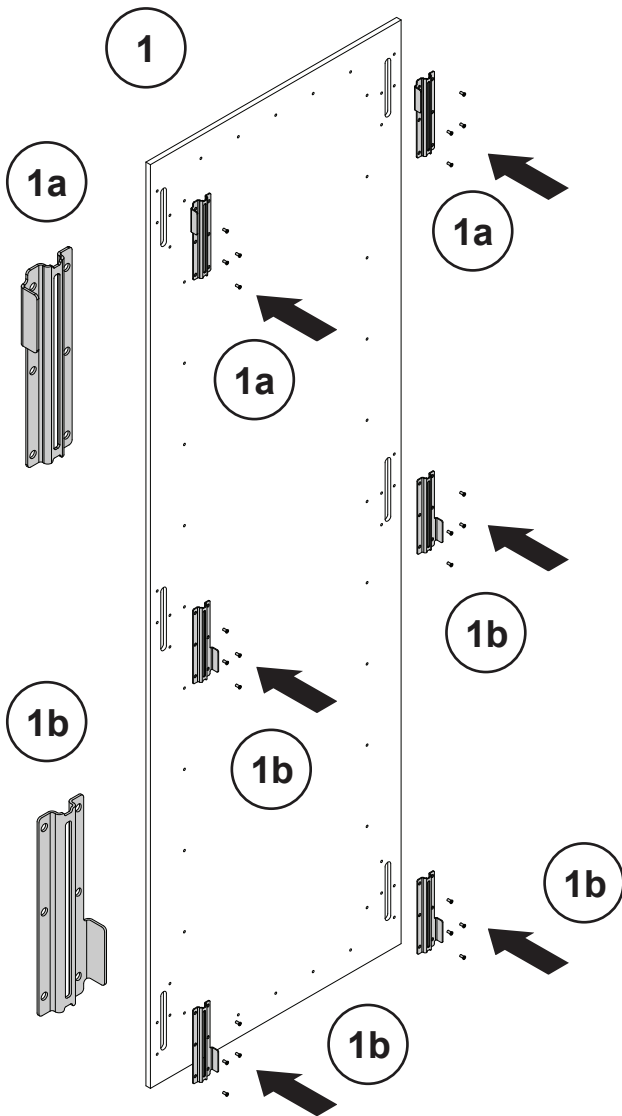


Interior panels only



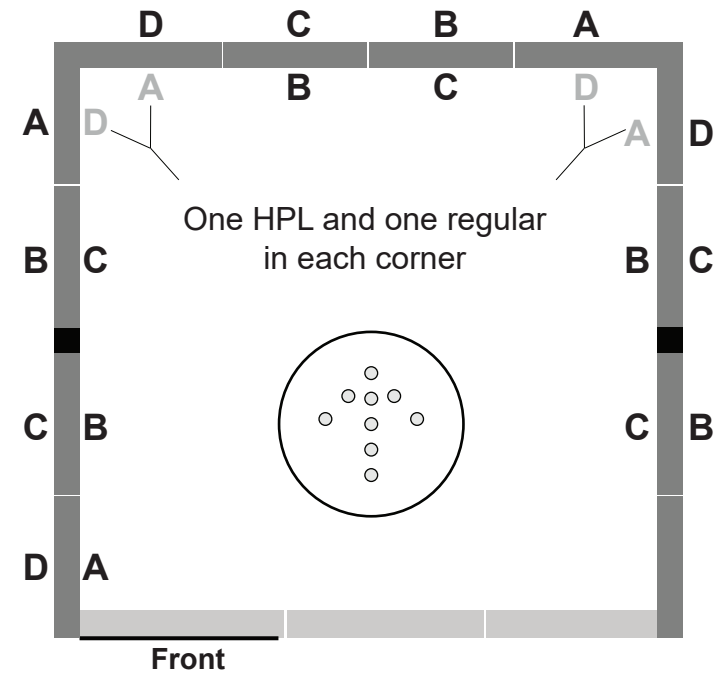
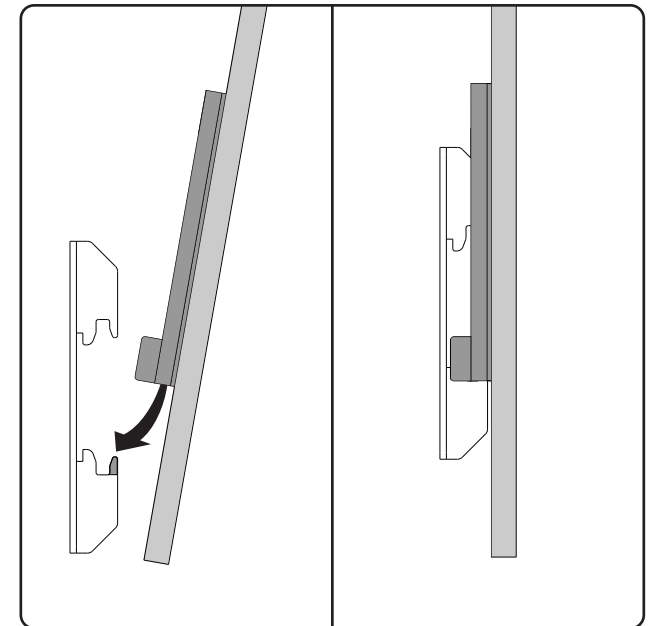
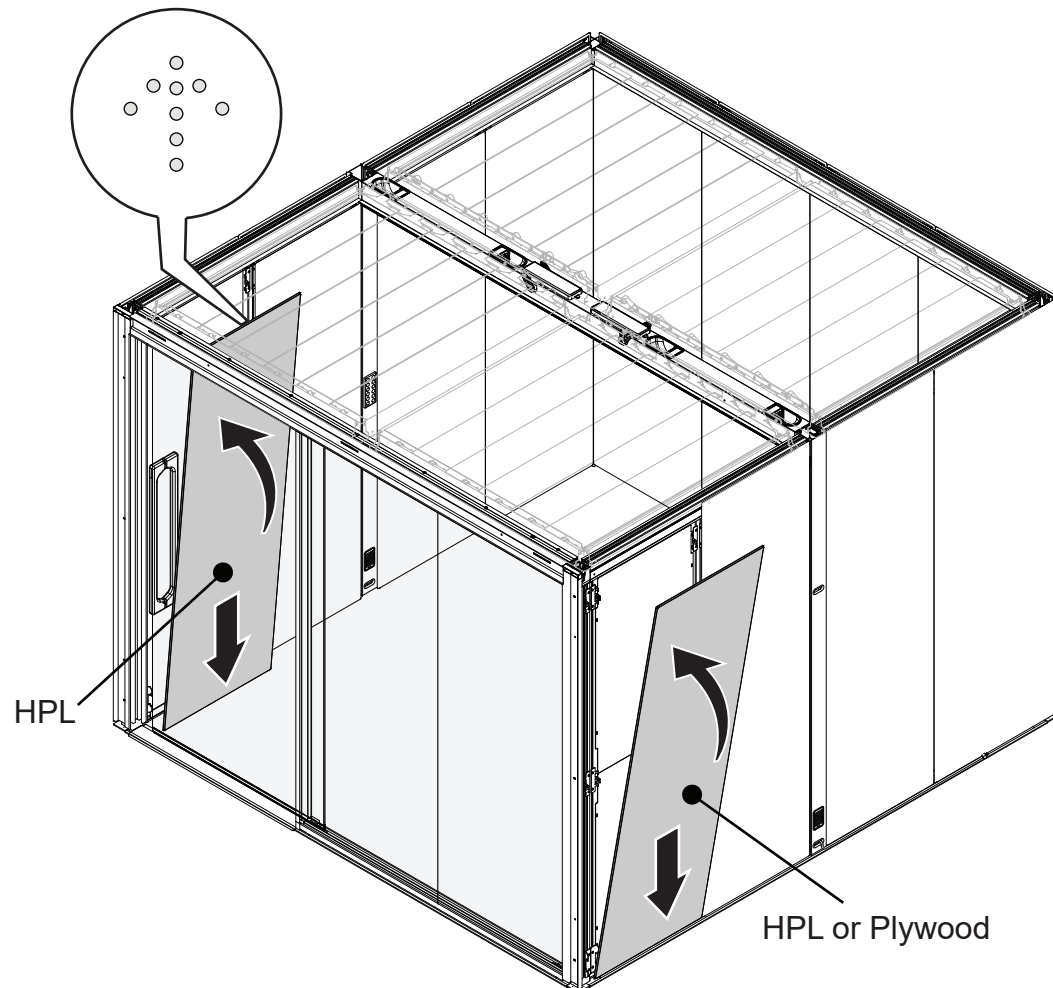
## Step 10.6 Optional Plywood Panels Assembly

Plywood Panel Parcels: 1546108001; 1546108002; 1546108003;

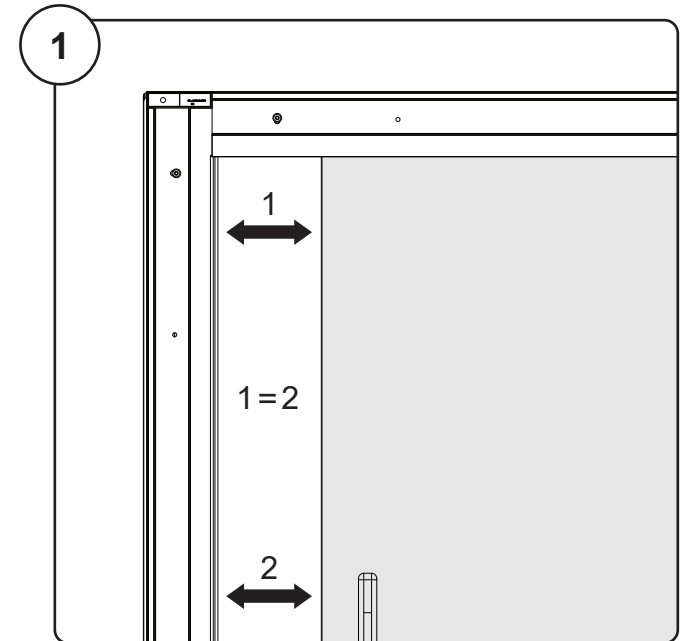
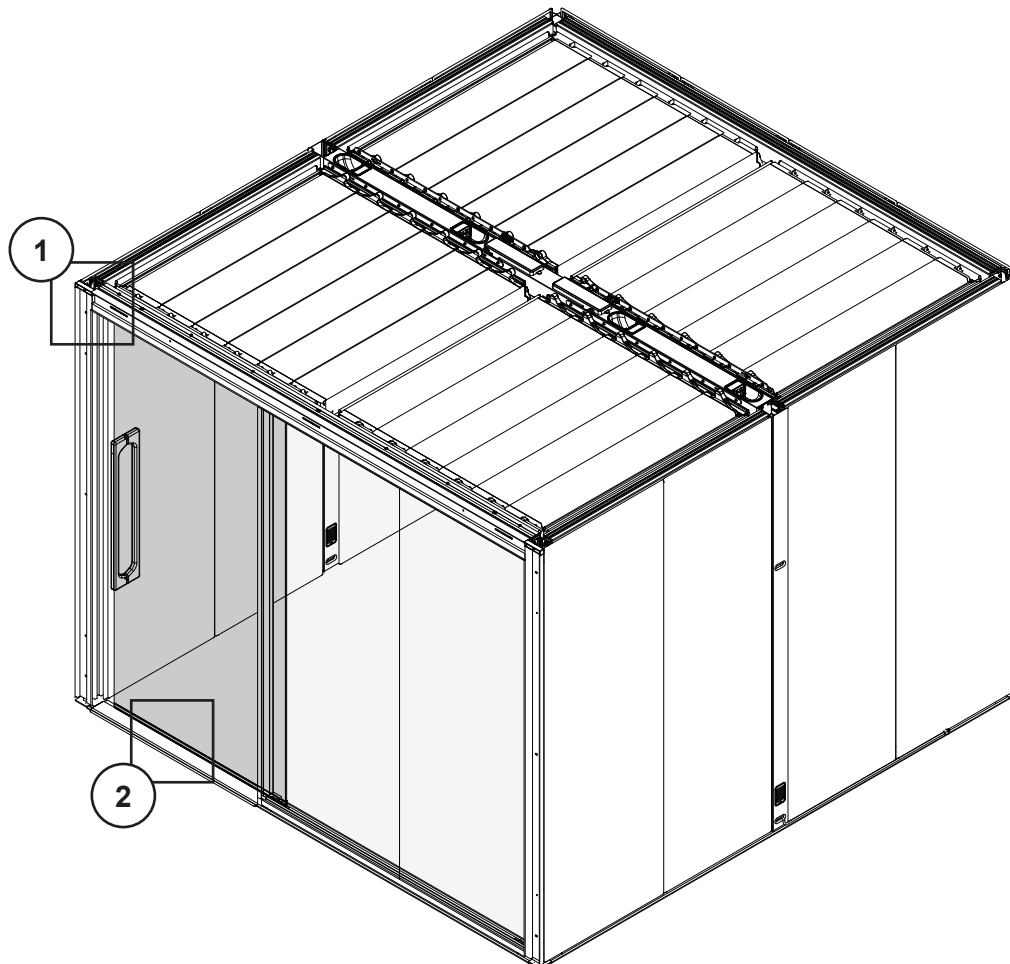


## Step 10.7 Optional HPL and Plywood Panels Assembly

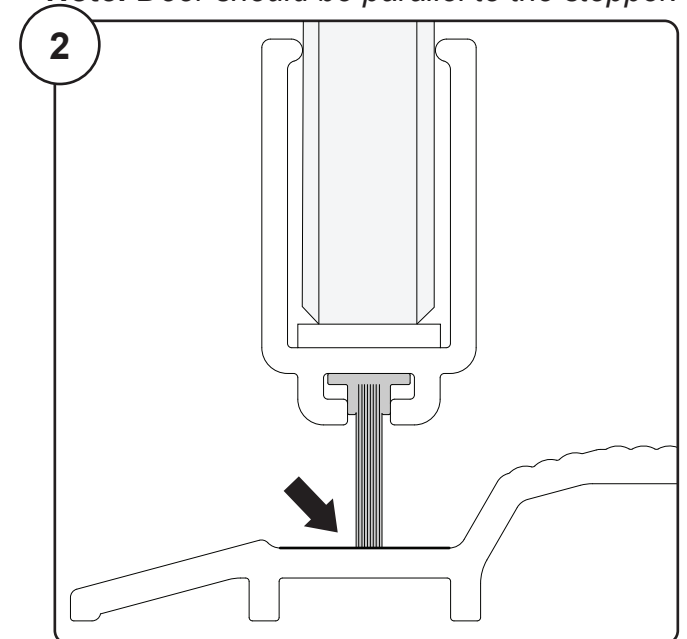
*Note: HPL and Plywood Panels can be installed in place of regular panels.*



## Step 11.1 Door - Final Alignment



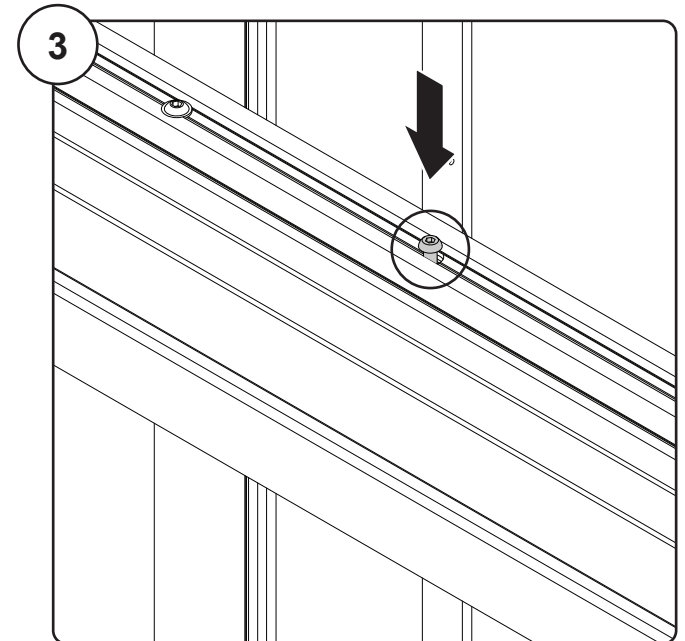
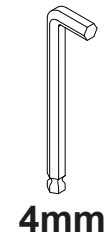
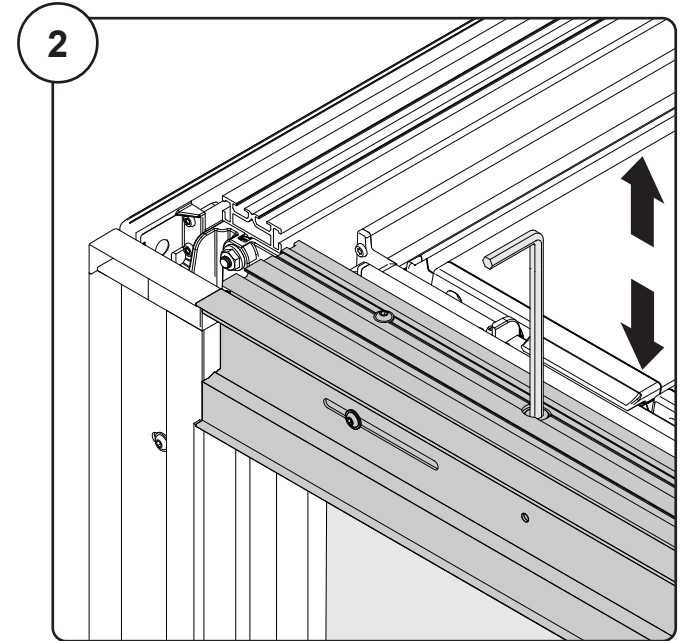
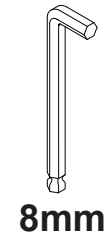
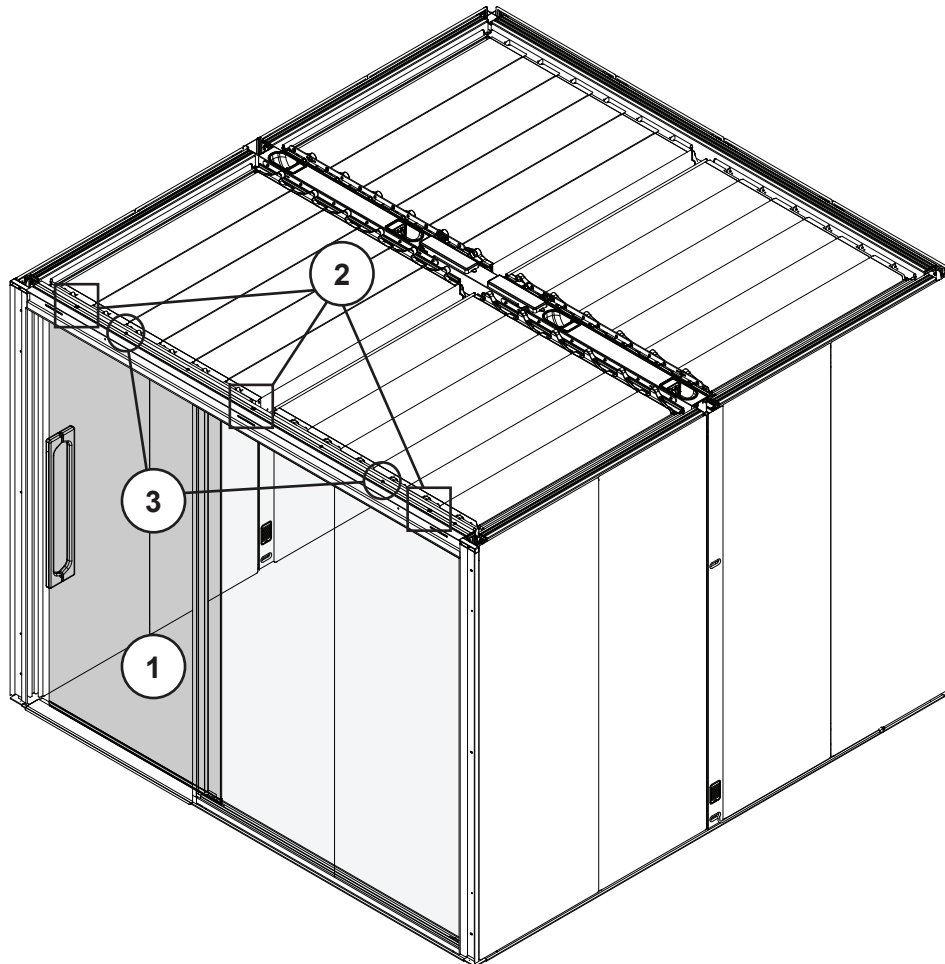
*Note: Door should be parallel to the stopper.*



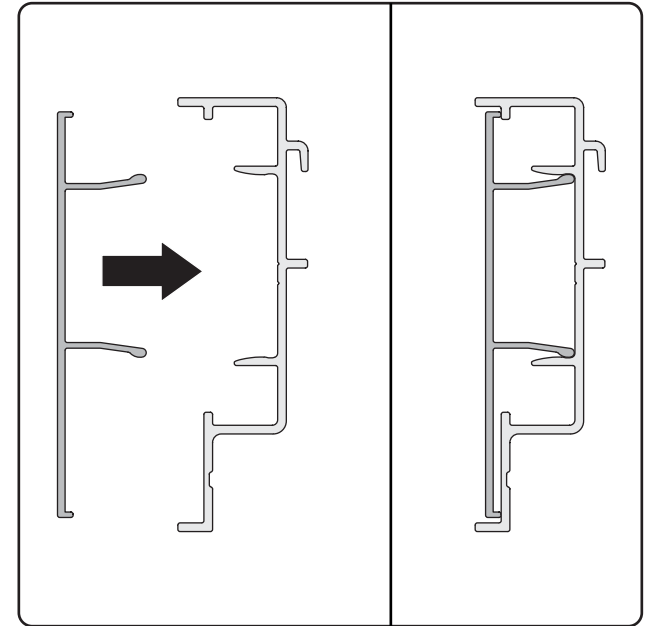
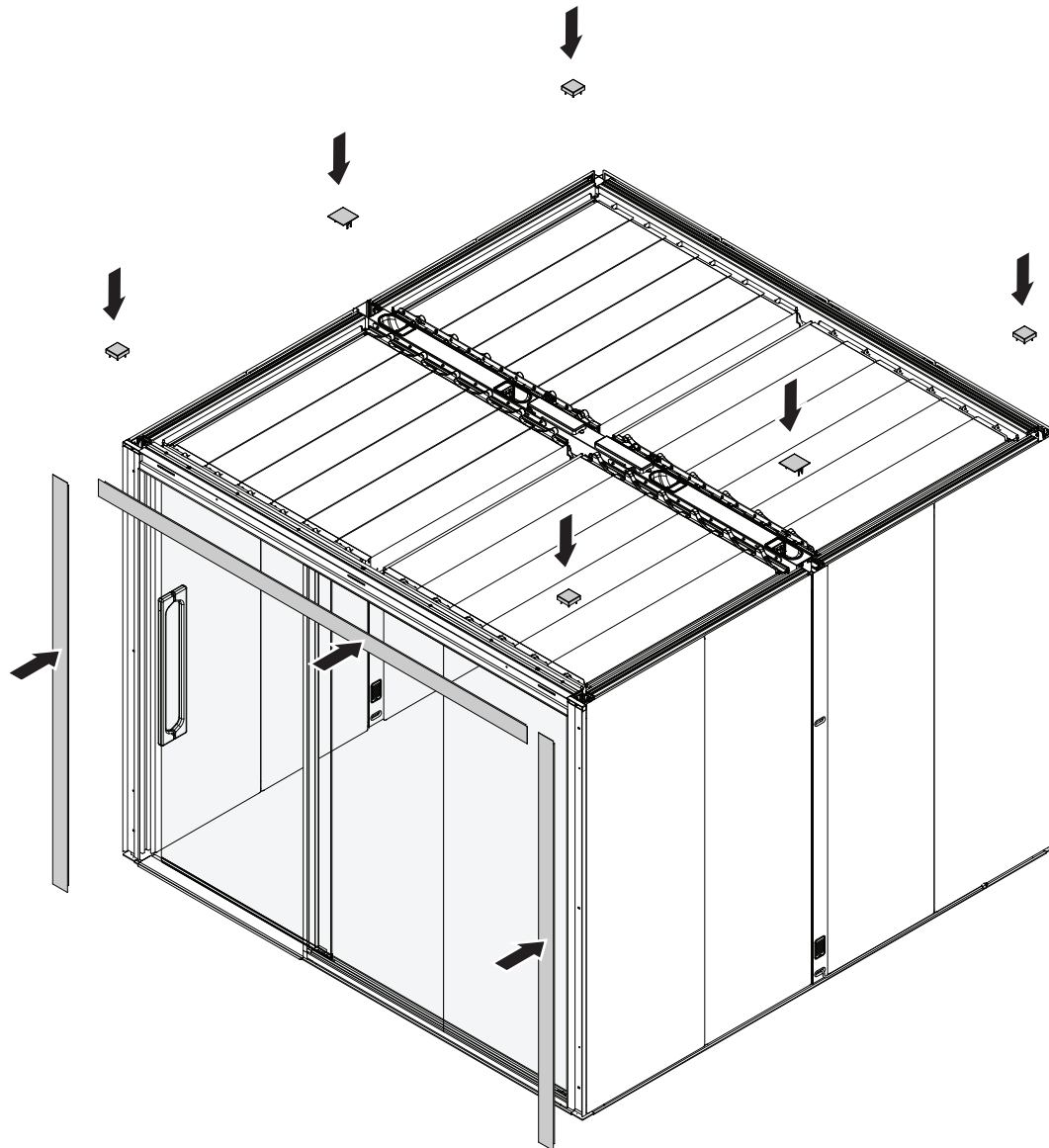
*Note: Brush should barely touch the threshold.*

## Step 11.2 Door - Final Alignment

1. Check if door is aligned.
2. Adjust top track if necessary.
3. Tighten 2 places to lock the track.



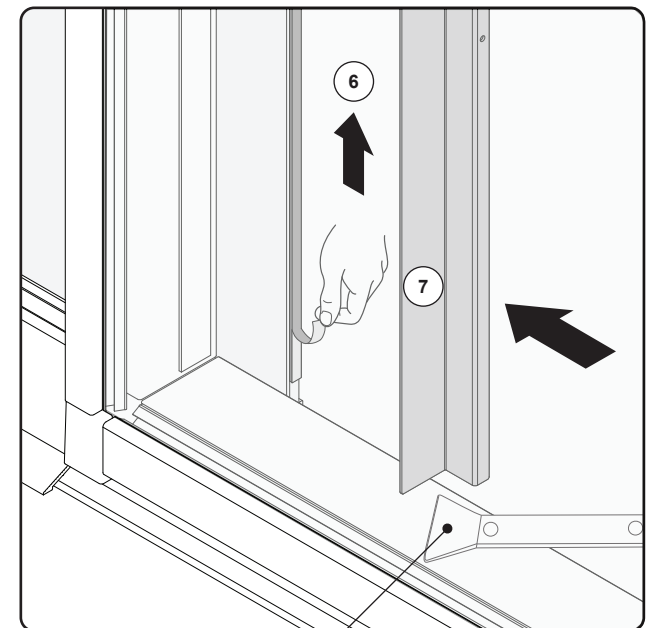
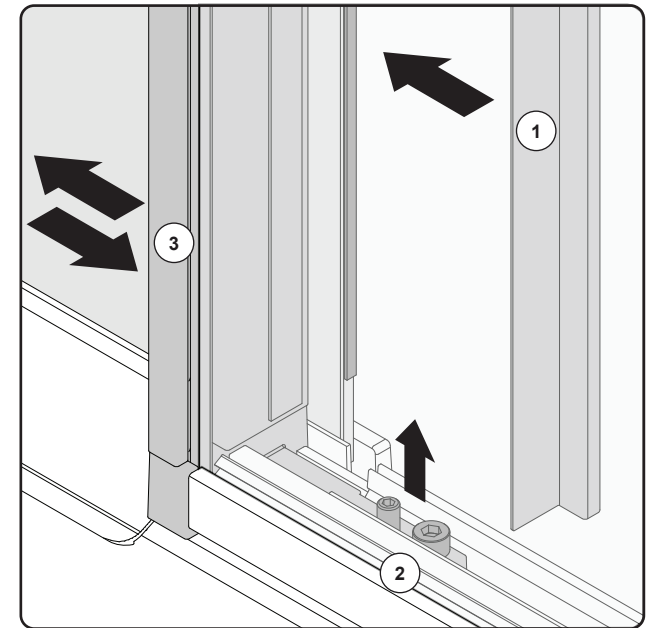
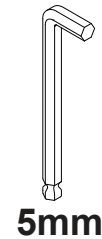
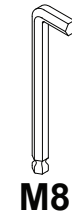
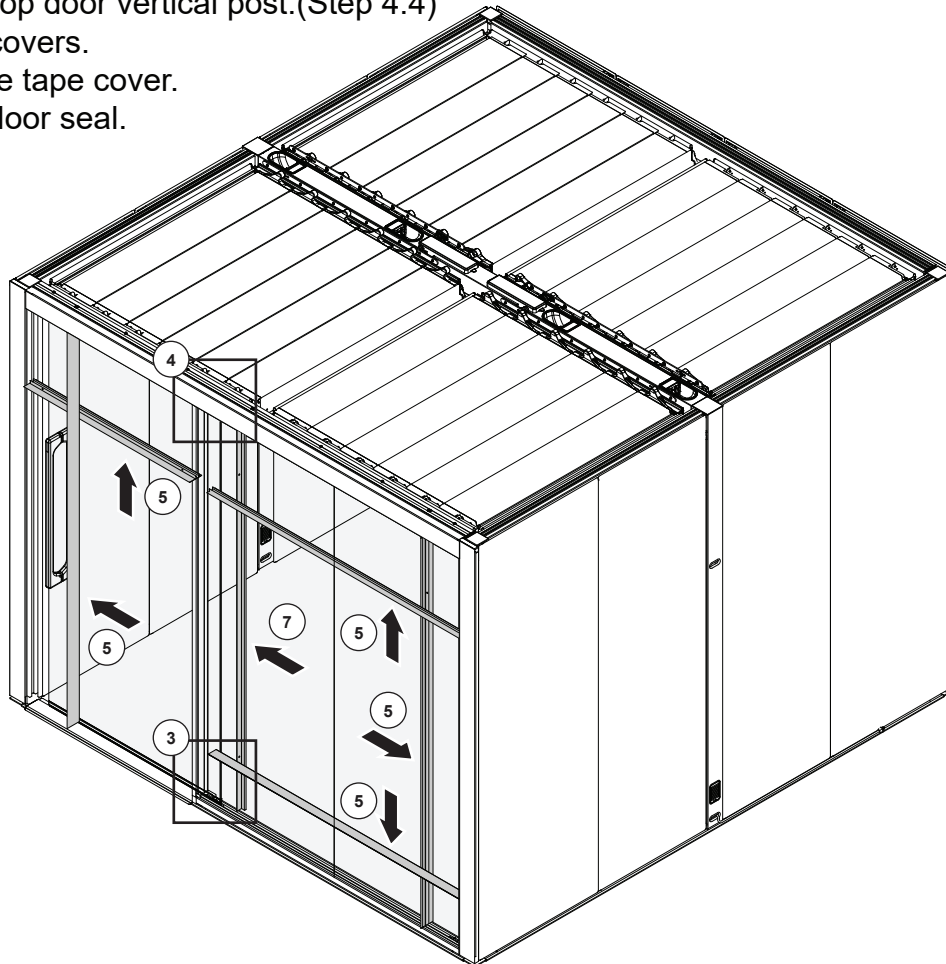
## Step 12.1 Trim Cover Assembly



## Step 13.1 Door Seal Assembly

If adjustments needed:

1. Dry fit door seal.
2. Loosen track bolts.
3. Adjust bottom door vertical post.
4. Adjust top door vertical post.(Step 4.4)
5. Install covers.
6. Remove tape cover.
7. Install door seal.

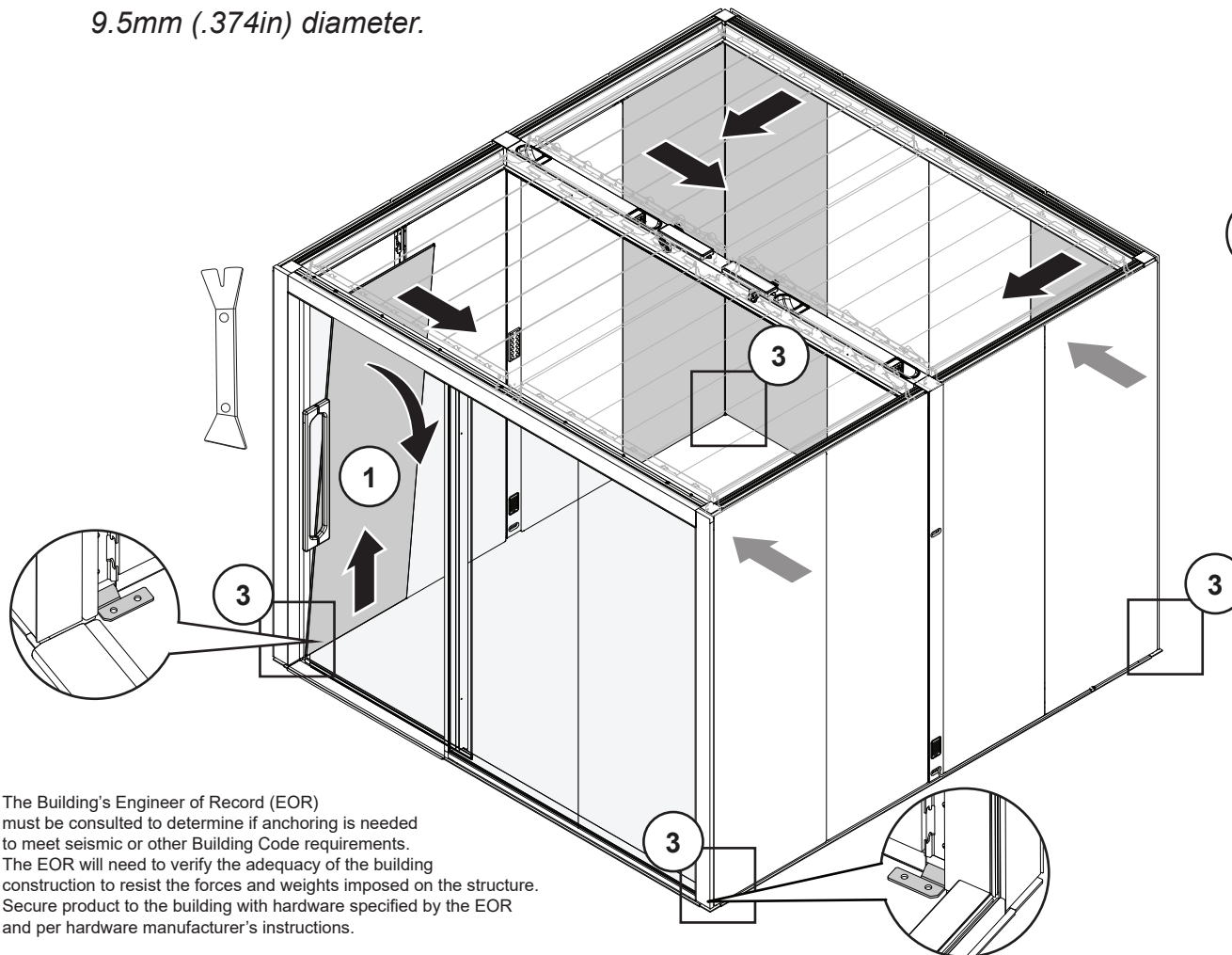


**Note:** Add a 3 mm spacer under  
Door Magnet Steel Strip before installing

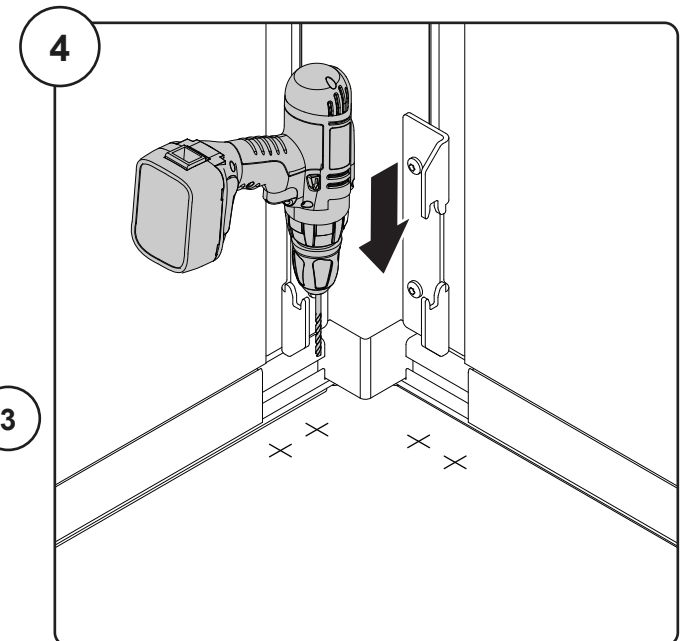
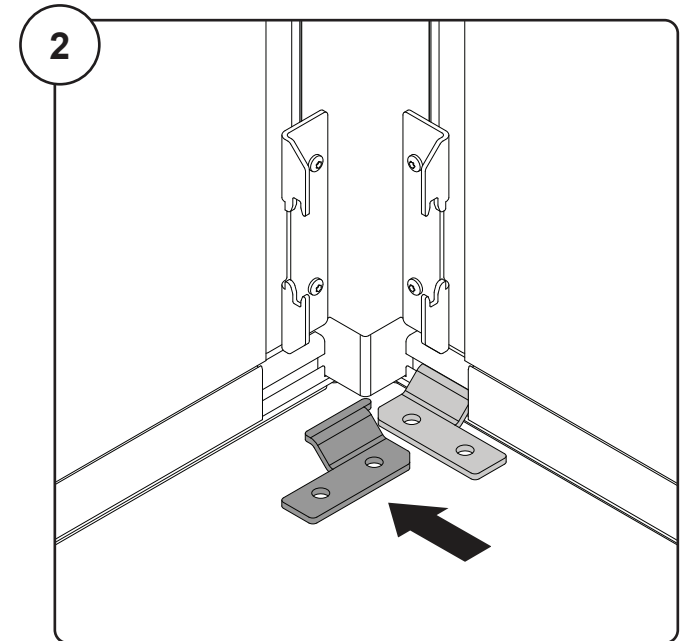
## Optional Seismic Kit Assembly

1. Remove all interior corner panels.
2. Install 6x bracket to corners (2 front 4 rear).
3. Mark location for drilling.
4. Drill floor corners.

**Note:** Note: Holes in bracket are 9.5mm (.374in) diameter.

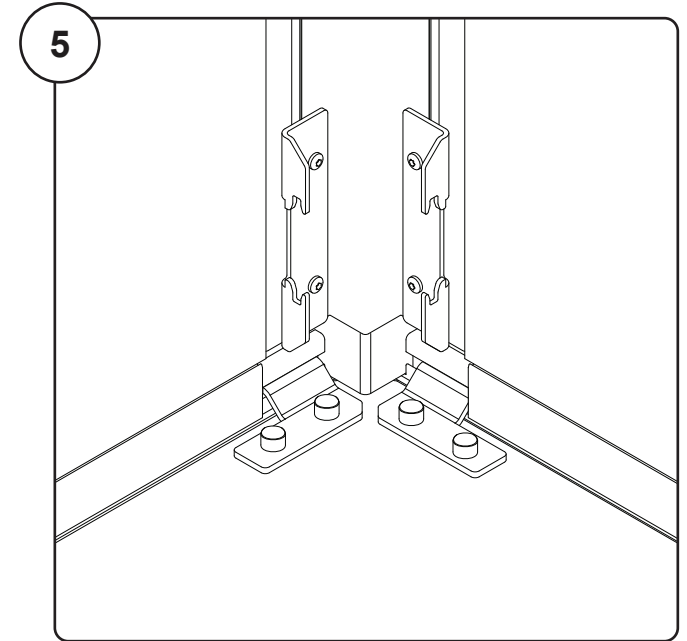
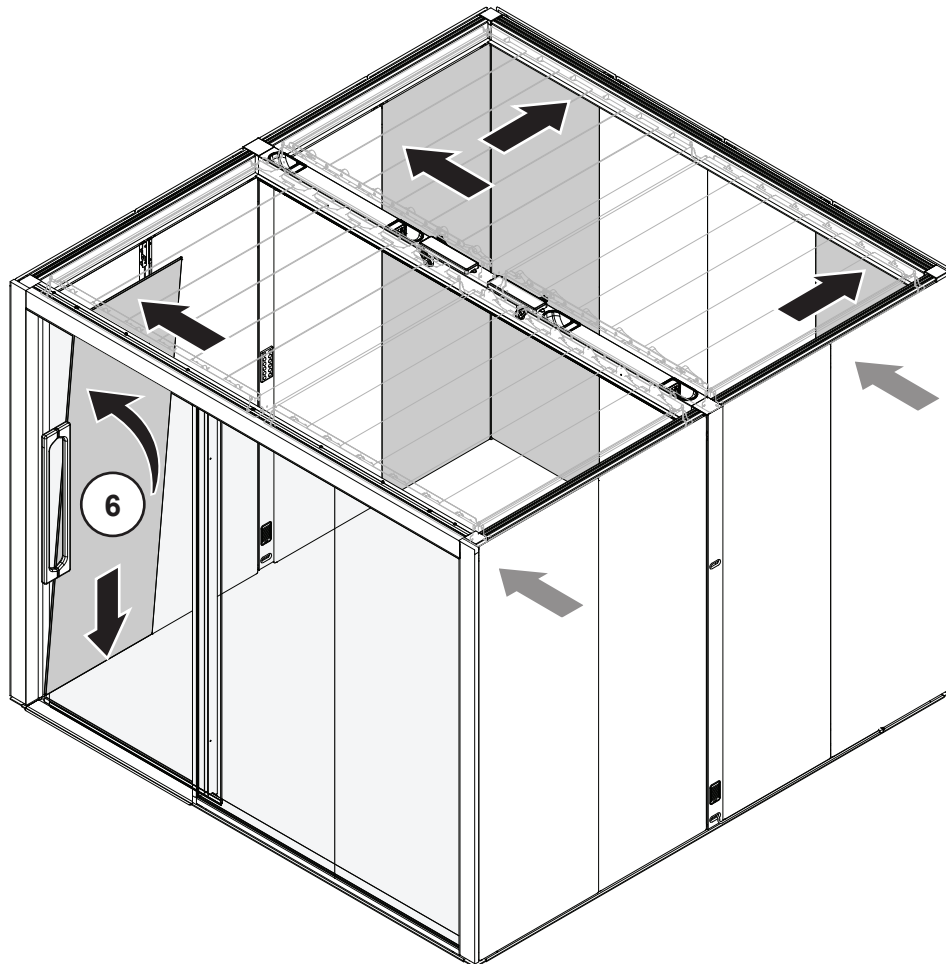


The Building's Engineer of Record (EOR) must be consulted to determine if anchoring is needed to meet seismic or other Building Code requirements. The EOR will need to verify the adequacy of the building construction to resist the forces and weights imposed on the structure. Secure product to the building with hardware specified by the EOR and per hardware manufacturer's instructions.

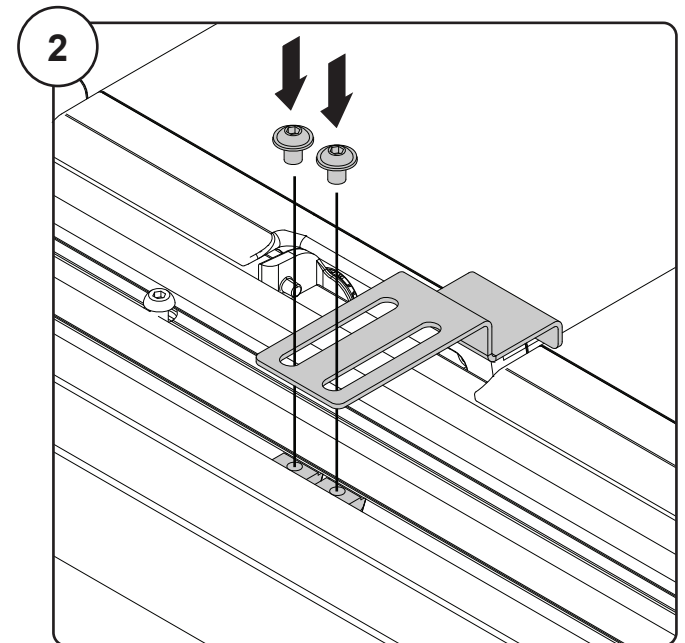
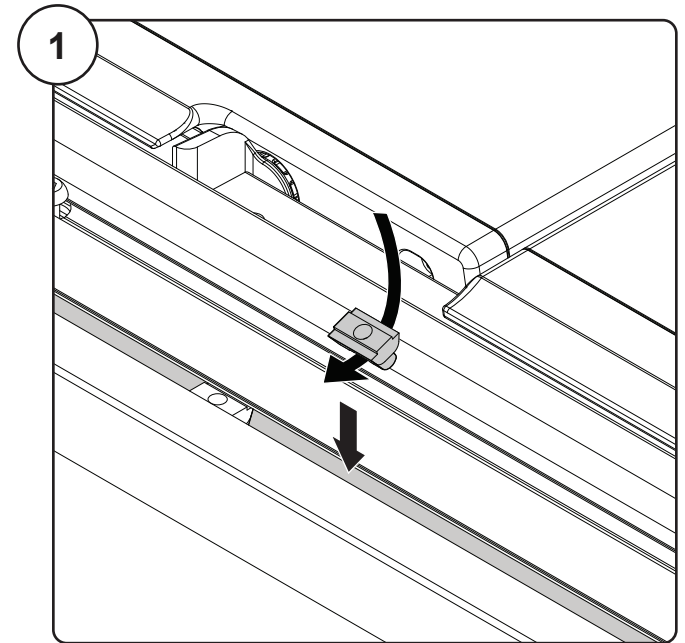
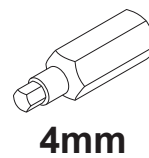
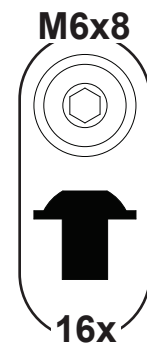
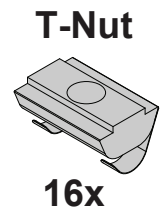
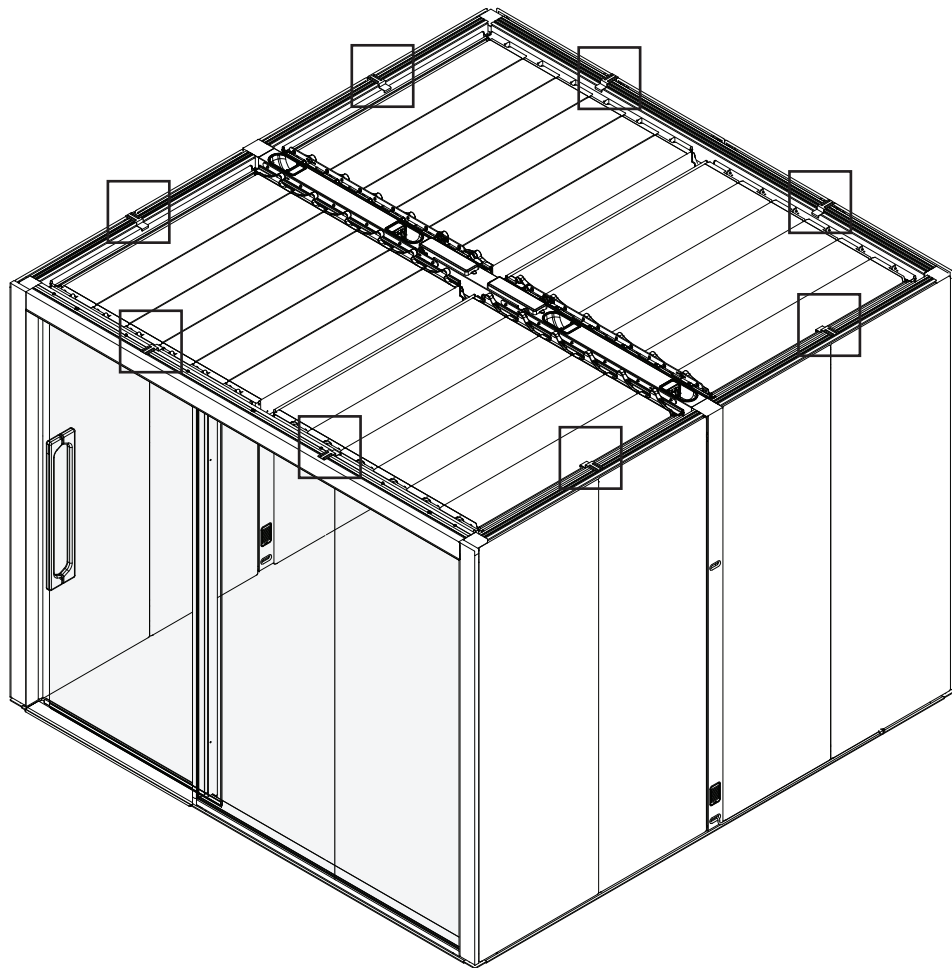


## Optional Seismic Kit Assembly

5. Secure product to the building with hardware specified by the EOR.
6. Install panels.



## Optional Seismic Kit Assembly



## Step 14.1 Cleaning

