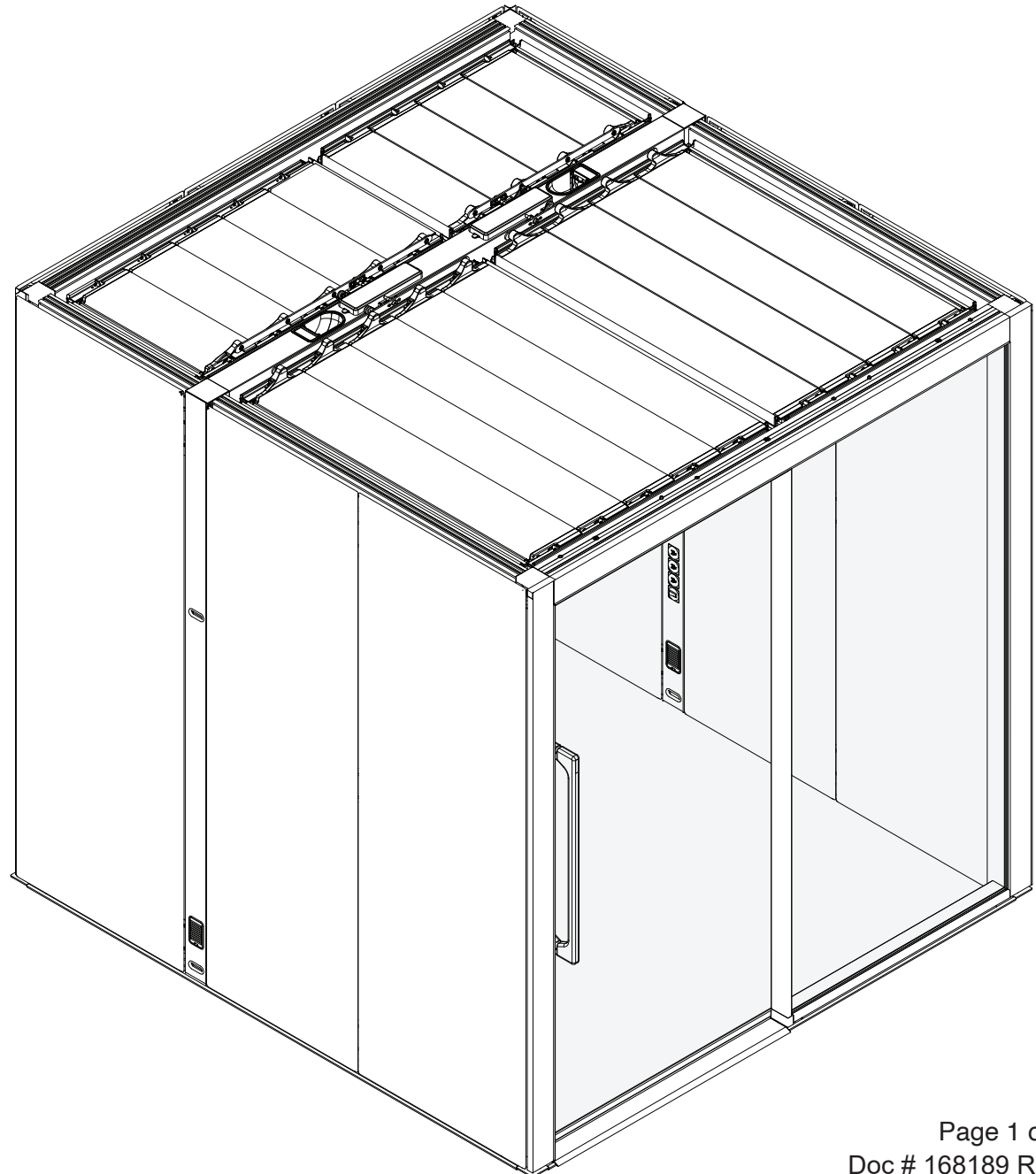



*LH shown
*RH is mirrored



Assembly Directions, Installation Videos
and Troubleshooting Guides can be found
by scanning this QR code or by visiting
ussupport.orangebox.com



⚠ WARNING



Assembly Directors at
www.steelcase.com

Risk of Fire, Injury or Electrical Shock.

- The roof surface is not load bearing. Do not put any objects on the roof surface.
- When installed in accordance with installation instructions provided with each carton, may be used beneath sprinklers subject to Authorities Having Jurisdiction.
- Only use in locations with standard response sprinklers. See installation instructions for additional information.
- Do not block or obstruct fan vents and grills.
- Do not drill holes in or attempt to hang items on product.
- Operating temperature 10-26 degrees Celsius.
- Relocation of product to be performed only by professional installers trained and certified by Orangebox. DO NOT push the product to move.
- Read instructions before opening covers/making electrical connection.
- Isolate mains power before removing access panels & disconnecting electrical components.
- This device must be grounded.

⚠ AVERTISSEMENT


Risque d'incendie, de blessure ou de choc électrique.

- La surface du toit ne peut supporter de poids. Ne placez aucun objet sur le toit.
- Lorsqu'il est installé conformément aux instructions d'installation fournies avec chaque carton, peut être utilisé sous les gicleurs sous réserve des Autorités Compétentes.
- N'utilisez que dans les endroits avec des gicleurs d'intervention standard. Consultez les instructions d'installation pour plus d'informations.
- Ne bloquez pas ou n'obstruez pas les sorties des ventilateurs ni les grilles.
- Ne percez pas de trous dans la paroi et ne suspendez aucun objet à la produit.
- Température de fonctionnement entre 10 et 26 degrés Celsius.
- Le produit doit uniquement être déplacée par des installateurs professionnels, formés et certifiés par Orangebox. ÉVITEZ de pousser sur la produit pour la déplacer.
- Lisez les directives avant d'ouvrir les couvercles ou de faire les branchements.
- Isolez l'alimentation secteur avant de retirer les panneaux d'accès et de déconnecter les composants électriques.
- Cet appareil doit être mis à la terre.

⚠ ADVERTENCIA

Riesgo de incendio, lesiones o descarga eléctrica.

- La superficie del techo no soporta carga. No coloque ningún objeto sobre la superficie del techo.
- Cuando se instala de acuerdo con las instrucciones de instalación proporcionadas con cada caja, se puede usar debajo de rociadores sujetos a las Autoridades Competentes.
- Solo uselo en lugares con rociadores de respuesta estándar. Consulte las instrucciones de instalación para obtener información adicional.
- No bloquee ni obstruya las rejillas y conductos de ventilación de los ventiladores.
- No taladre orificios ni intente colgar artículos en la producto.
- La temperatura de funcionamiento es de 10 a 26 grados Celsius.
- Se debe realizar la reubicación del producto únicamente por instaladores profesionales capacitados y certificados por Orangebox. NO empuje la producto para moverla.
- Lea las instrucciones antes de abrir las tapas / hacer la conexión eléctrica.
- Aisla la energía de la red antes de quitar los paneles de acceso y desconectar los componentes eléctricos.
- Este dispositivo debe estar conectado a tierra.



For Commercial Use Only
Solo Para Uso Comercial
À Usage Commercial Uniquement

LISTED
E332997

Conforms to UL Std 962
Certified to CSA C22.2 #68

Contains:


FCC ID: SZV-PTM210U
IC: 5713A-PTM210U

FCC ID: 2A0CB-BRM1
IC: 6715C-BRM1

FCC ID: 2ALA3-CBM002A
IC: 22496-CBM002A

or FCC ID: 2ALA3-CBM003A
IC: 22496-CBM003A

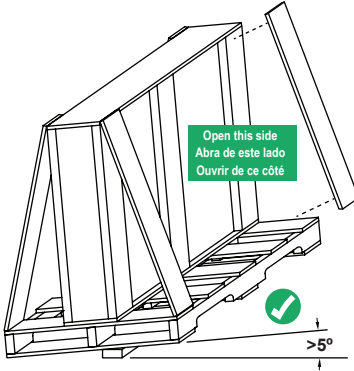
⚠ WARNING ⚠ ADVERTENCIA ⚠ AVERTISSEMENT




READ DIRECTIONS AND MANUAL FIRST

LEA PRIMERO LAS INSTRUCCIONES Y EL MANUAL





LISEZ D'ABORD LES DIRECTIVES ET LE GUIDE





RISK OF SERIOUS INJURY
RIESGO DE LESIONES GRAVES
RISQUE DE GRAVES BLESSURES!


Safety Instructions Instrucciones de Seguridad Consignes de Sécurité

- Before opening, ensure crate is stable and tilted at least 5 degrees to prevent glass from falling out.
- To open, cut any bands first and pry off boards on front of crate.
- Before removing glass, check crate and remove protruding nails or screws that could scratch glass.
- Wear appropriate personal protective equipment (safety glasses, gloves, safety shoes and skin protection).
- Tempered Glass is very heavy and can shatter while handling. Use two or more people to handle glass.
- Handle carefully. A scratched surface, damaged surface, or edge impact can cause the glass to shatter suddenly into sharp pieces.

- Antes de abrir, asegúrese de que la caja esté estable e inclinada al menos por 5 grados para evitar que el vidrio se salga de la caja.
- Para abrir, corte primero las bandas de embalaje y luego separe las tablas del frente de la caja.
- Antes de retirar el vidrio, chequee la caja y quite los clavos o tornillos salientes que puedan rayar el vidrio.
- Use el equipo apropiado de protección personal (gafas de seguridad, guantes, zapatos de seguridad y protección para la piel).
- El vidrio templado es muy pesado y se puede romper durante su manipulación. Use dos o más personas para manipular el vidrio.
- Manéjelo con cuidado. Una superficie rayada o dañada, o el impacto sobre el borde pueden causar que el vidrio se rompa de repente en trozos afilados.

- Avant d'ouvrir, assurez-vous que la caisse à claire-voie est stable et inclinée d'au moins 5 degrés pour éviter que la vitre bascule hors de la caisse.
- Pour ouvrir, coupez d'abord les bandes d'emballage, puis écartez les bords sur le devant de la caisse.
- Avant de retirer la vitre, vérifiez la caisse et enlevez les clous ou les vis qui pourraient dépasser et qui pourraient égratigner la vitre.
- Portez de l'équipement de protection individuelle approprié (lunettes de sécurité, gants, chaussures de sécurité et vêtements de protection).
- Le verre trempé est très lourd et peut se briser en éclats lorsqu'on le manipule. Au moins deux personnes sont nécessaires pour manipuler la vitre.
- Manipulez avec soin. Une surface égratignée ou endommagée ou encore un choc sur le rebord peut faire en sorte que le verre se brise soudainement en éclats tranchants.



1/888-783-3522
Steelcase.com

1062515001 Rev B

EN:
DO NOT overload socket receptacles.
DO NOT plug any of the following into socket receptacles:

- vacuum cleaners
- heaters
- air conditioning units
- extension cords/leads
- other high amperage equipment

Connect only computer equipment & associated peripherals into socket receptacles.

FR:
NE PAS surcharger les prises de courant.
NE PAS brancher l'un des éléments suivants dans les prises de courant:

- aspirateurs
- appareils de chauffage
- conditionneurs d'air
- rallonges/fils électriques
- autres équipements à haute teneur en ampérage

Connecter uniquement le matériel informatique et les périphériques associés dans la prise.

ES:
NO sobrecargue los receptáculos de la toma de corriente.
NO enchufe ninguno de los siguientes en receptáculos de la toma de corriente:

- aspiradoras
- calentadores
- unidades de aire acondicionado
- cables de extensión / cables
- otros equipos de alto amperaje

Conecte solo equipos informáticos y periféricos asociados en el enchufe receptáculos.

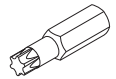
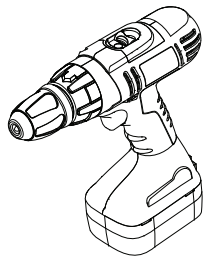
Table of Contents

Step 1	Base Track.....	12
Step 2	Service Hoop.....	13
Step 3	Rear Frame.....	15
Step 4	Front Frame.....	18
Step 5	Verify Square & Level Base.....	25
Step 6	Acoustic Panels.....	26
Step 7	Glass.....	28
Step 8	Door.....	34
Step 9	Roof.....	42
Step 10	Fascia & Panels.....	45
Step 11	Door - Final Alignment.....	53
Step 12	Trim Cover.....	55
Step 13	Door Seal.....	56
Optional	Seismic Kit.....	57
Step 14	Cleaning.....	60

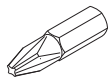
Tools



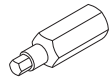
! No Impact Driver



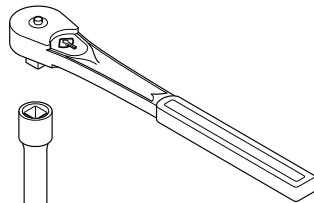
T20 T25



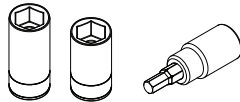
#2



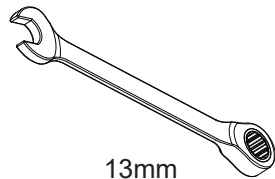
M10 M8 M6
M4 M3



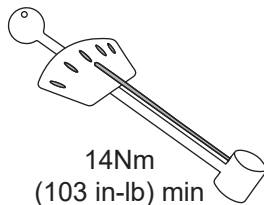
3/8"x4"



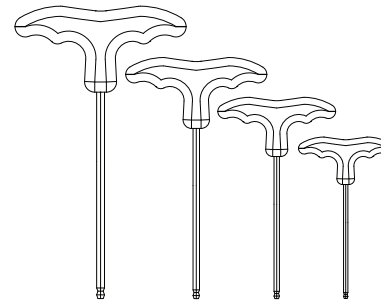
3/8"x10mm 4mm
3/8"x13mm 5mm



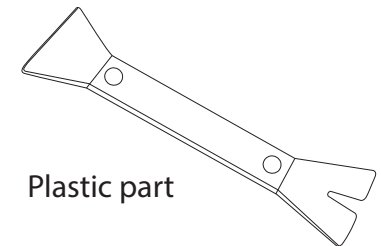
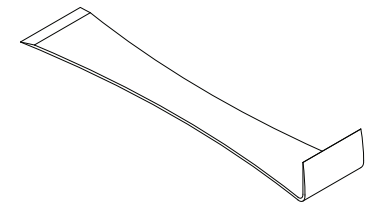
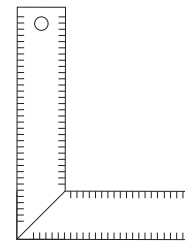
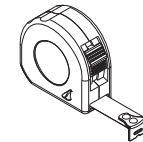
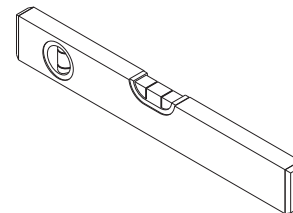
13mm



14Nm
(103 in-lb) min

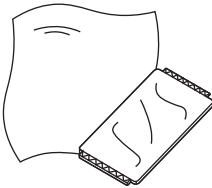
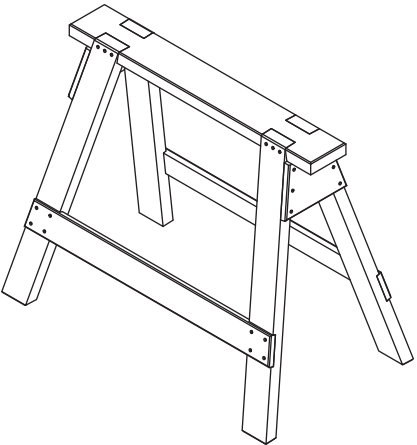
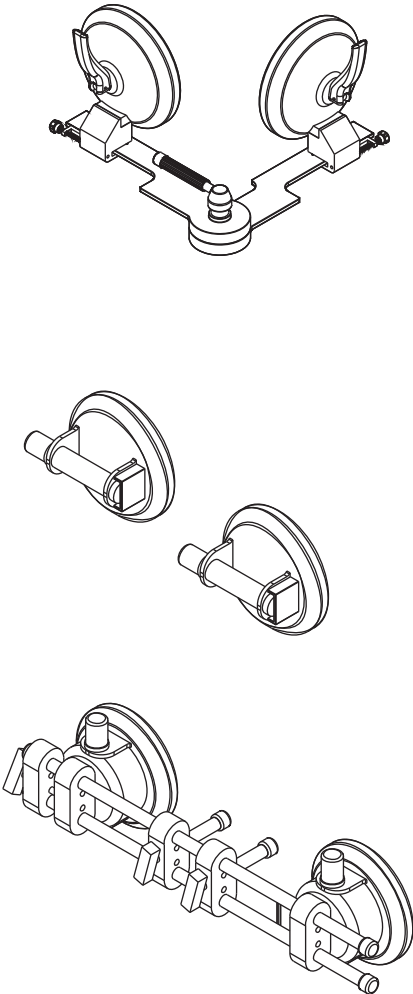
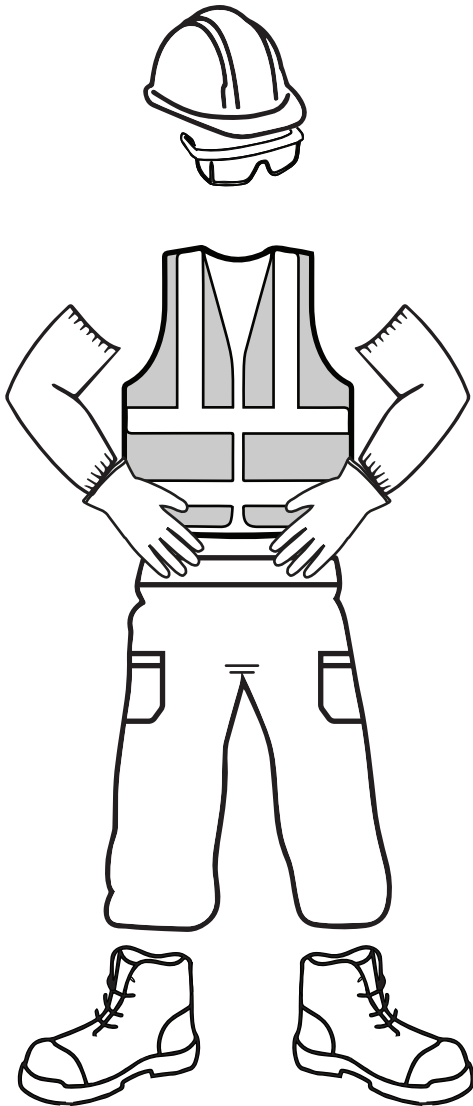


M10 M8 M6
M5 M4 M3



Plastic part

Tools and Gear



Alcohol wipes
(located in the door hardware kit)



Glass Cleaner

Metric Fasteners - Socket Screw Torque and Specifications

Metric Fasteners - Socket Screws Torque Figures, Alloy Steel

Size	Socket Head Cap, 12.9	Low Head Socket Cap, 10.9	Flat Head Cap, 12.9	Button Head Cap, 12.9	Socket Set Screw, 45H
M4	4.83 Nm	2.70 Nm	3.10 Nm	3.10 Nm	2.50 Nm
M5	10.00 Nm	5.40 Nm	6.10 Nm	6.10 Nm	5.00 Nm
M6	16.80 Nm	9.15 Nm	10.50 Nm	10.50 Nm	8.50 Nm
M8	41.00 Nm	22.00 Nm	26.00 Nm	26.00 Nm	20.00 Nm
M10	81.00 Nm	44.00 Nm	52.00 Nm	52.00 Nm	40.00 Nm

Hardware Packs

1 Base Track Hardware Kit 1



Screw - M10 X 25
Qty: 2



Locknut - M6
Qty: 8

3 Uprights and Crossmembers Hardware Kit 3



Screw - M10 X 25
Qty: 16

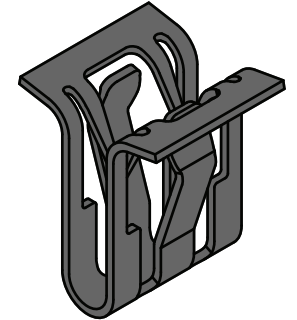


Screw - M6 X 18
Qty: 2



Flanged Nut - M8
Qty: 24

Spare Parts



Panels Clips
Qty: 6

2 Service Hoop Hardware Kit 2



Screw - M10 X 25
Qty: 4



Screw - M8 X 40
Qty: 4

6 Steel Panels Hardware Kit 6



Screw - M5 x16
Qty: 72

7 Corner Infill Hardware Kit 7



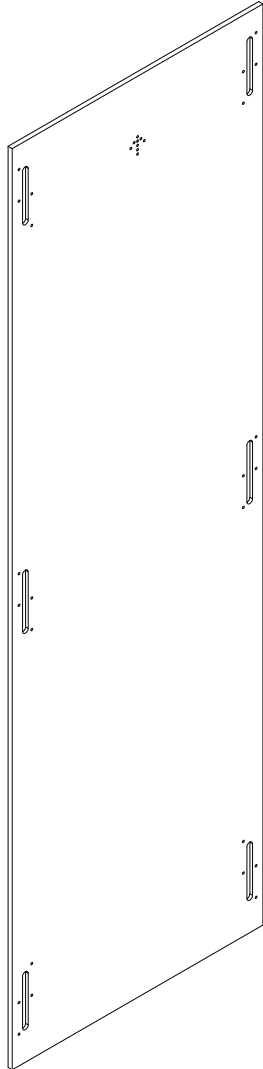
Screw - M6 X 8
Qty: 21

9 Roof Cassettes Hardware Kit 9



Screw - M8 X 30 Qty: 4
Service PN: 21646008

Optional Panels



HPL Panel Parcels

1529332001
1529332002
1529332003

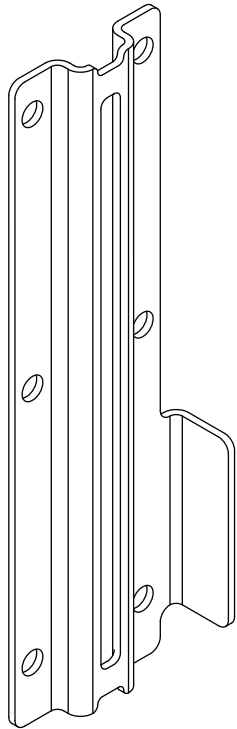
Plywood Panel Parcels

1546108001
1546108002
1546108003

Optional Packs

HPL Panels Kit

Mounting Bracket
Qty: 6



Screw - M6 X 10
Qty: 24

Plywood Panels Kit

Mounting Bracket
Qty: 6



Stiffener - Short
Qty: 2



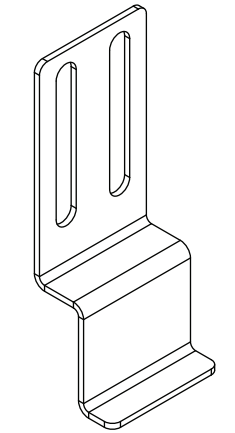
Screw - M6 X 10
Qty: 56



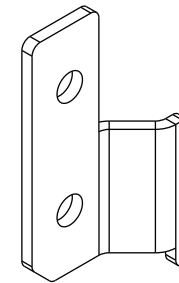
Stiffener - Long
Qty: 2



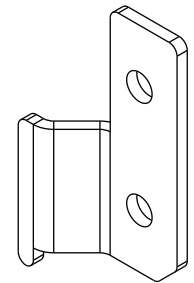
Seismic Kit



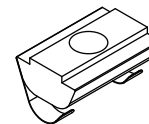
Seismic
Bracket - Roof
Qty: 8



Seismic
Bracket - Floor
Qty: 3



Seismic
Bracket - Floor
Qty: 3

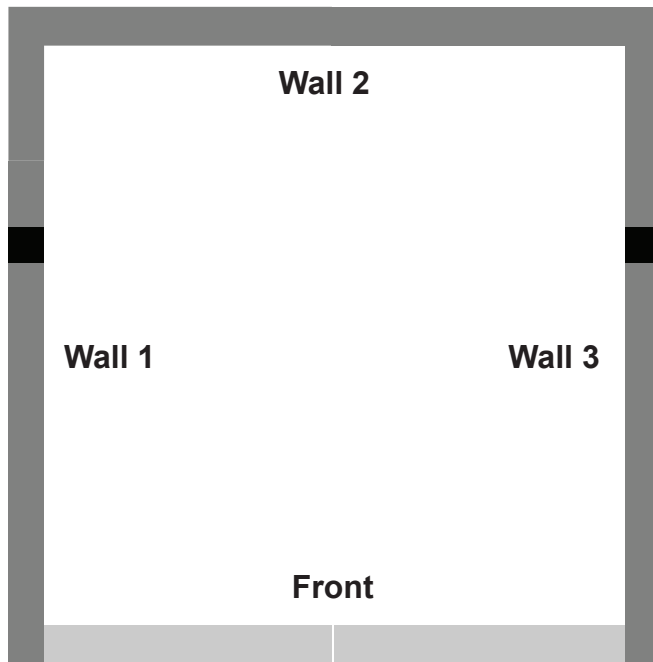


T-Nut
Qty: 16



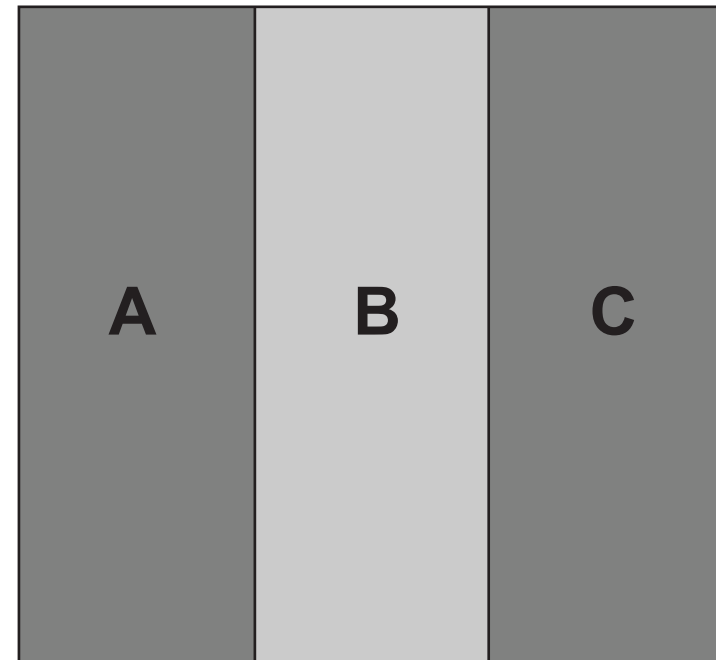
Screw - M6 X 8
Qty: 16

Wall and Panel Position



Wall and panel positions always start from the left.

Vertical Panels



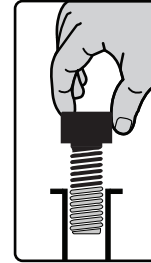
Application Rules:

Only a single panel will be specifiable as contrasting.

Step 1.1 Base Track Assembly

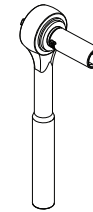


No Power Tools !



Hand start
all fasteners.

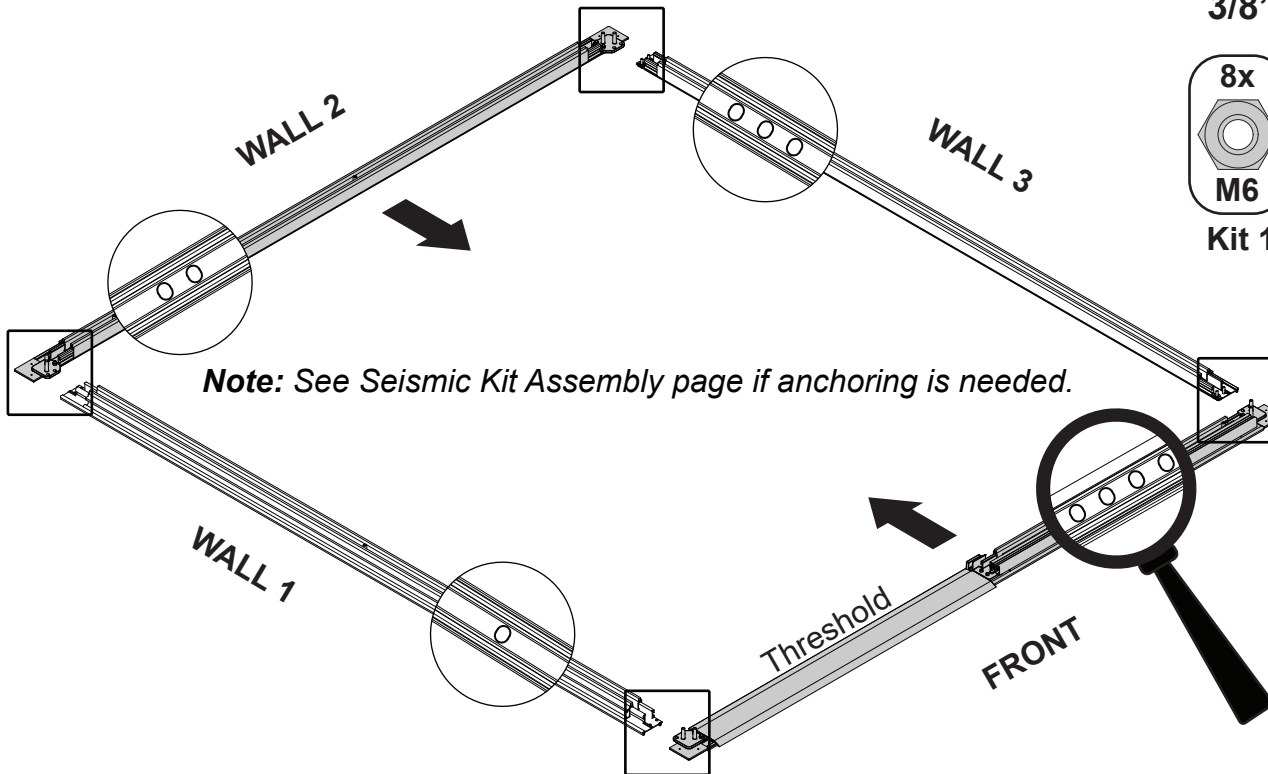
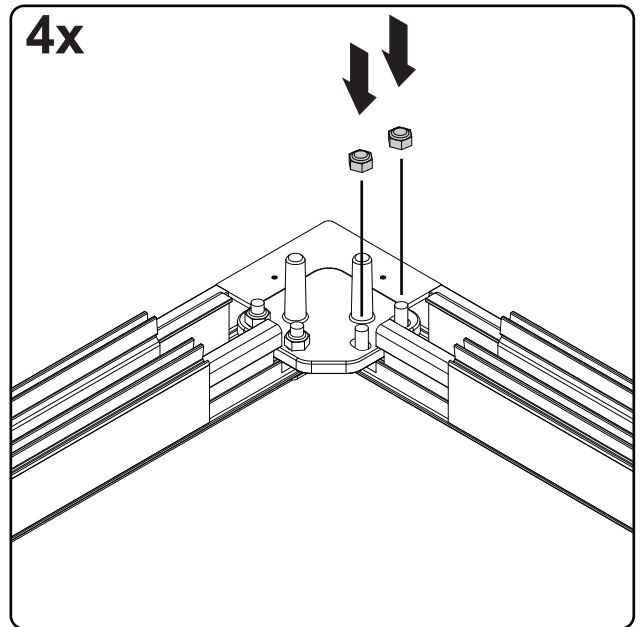
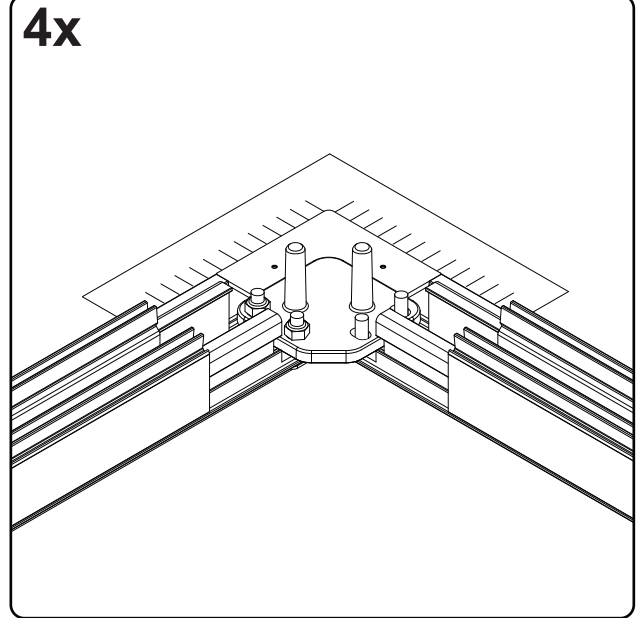
10mm



3/8"



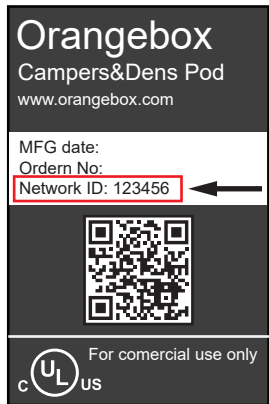
Kit 1



Step 2.1 Service Hoop Assembly

For multiple Pods installation:
Locate the Product ID label on each part and
ensure Network ID on the 3 boxes/parts are identical.

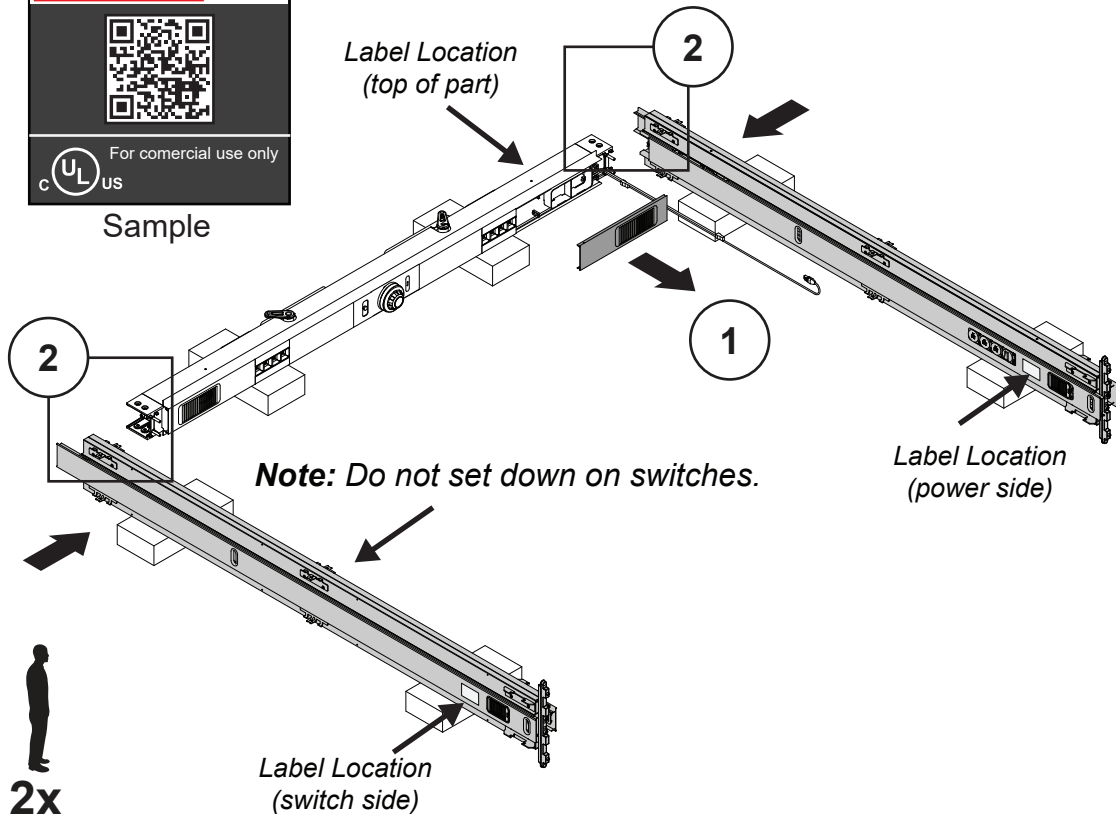
Product ID Label




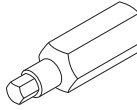
Sample

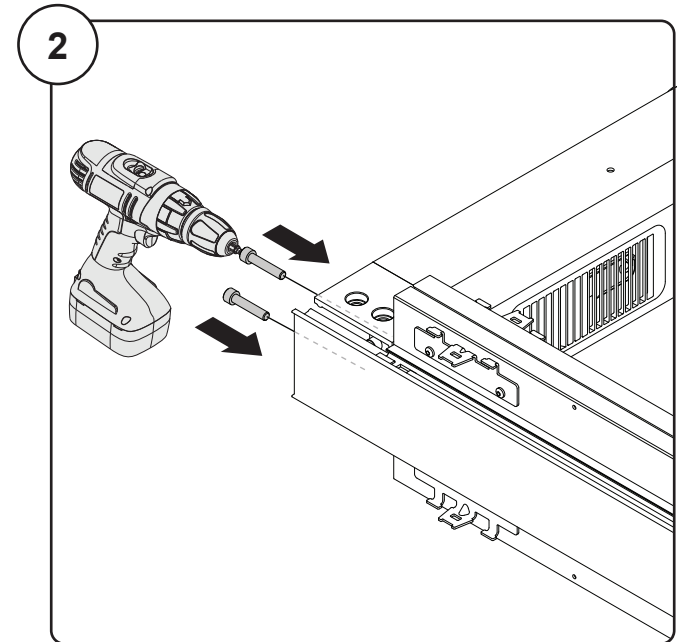
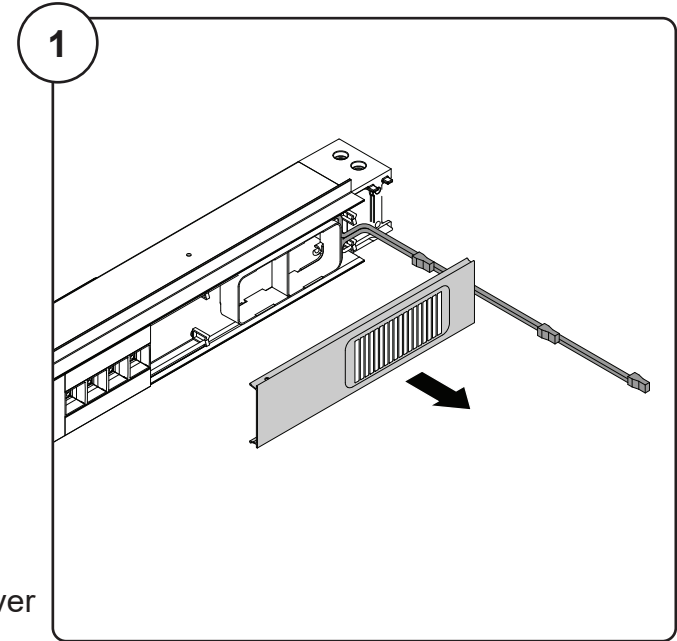
 **Do not pinch wires.**

 **No Impact Driver**

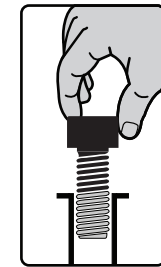
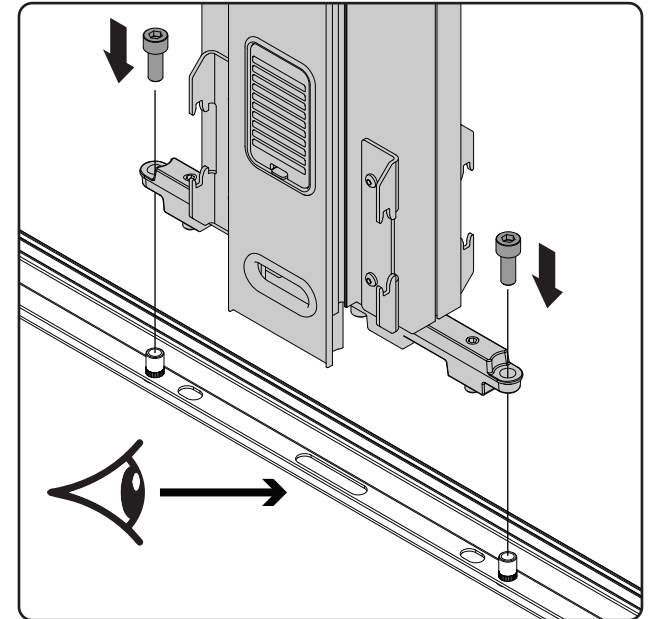
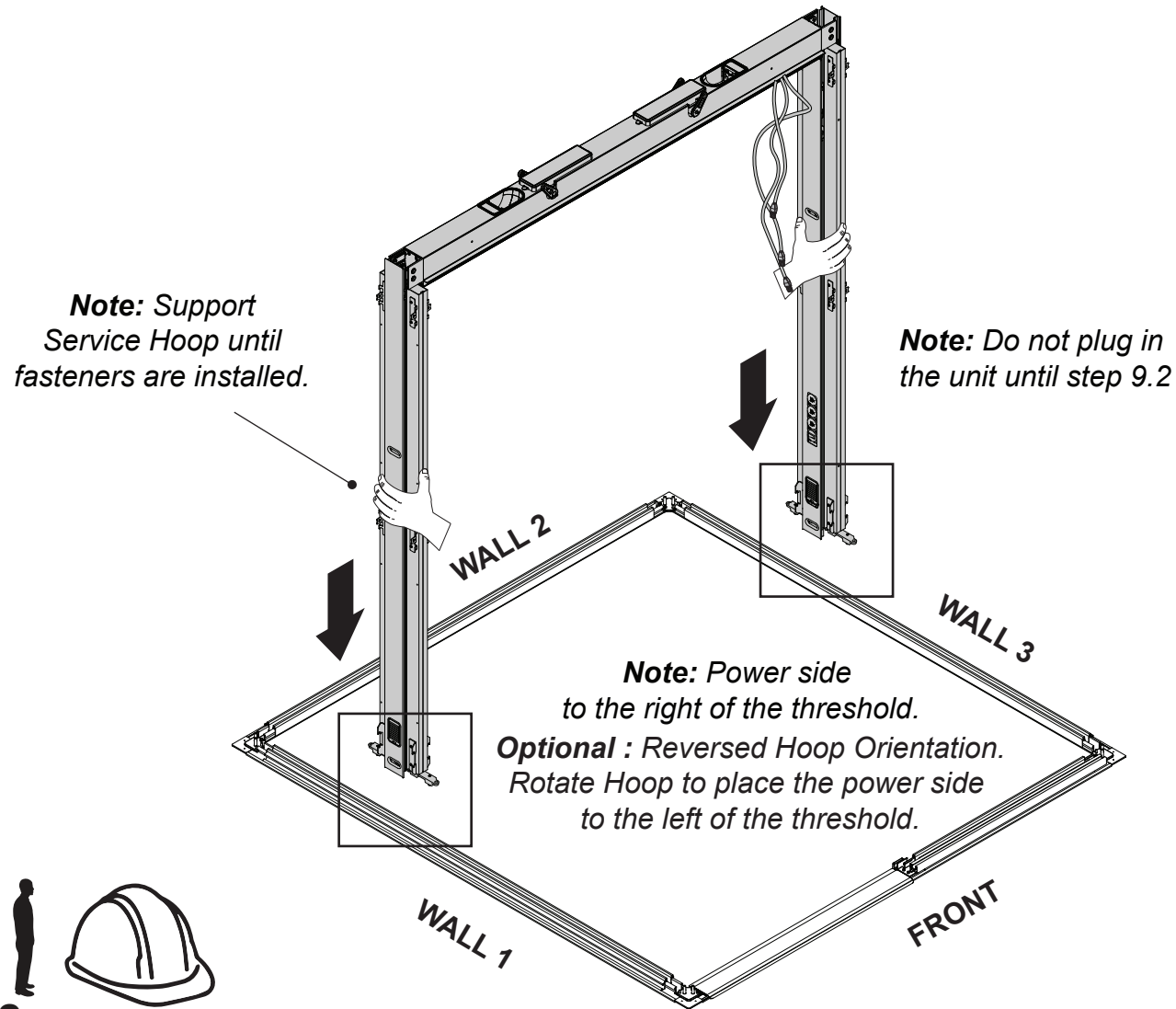


M8x40

4x Kit 2

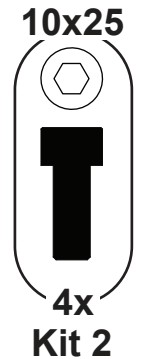

6mm



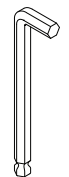
Step 2.2 Service Hoop - Install to base



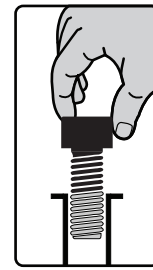
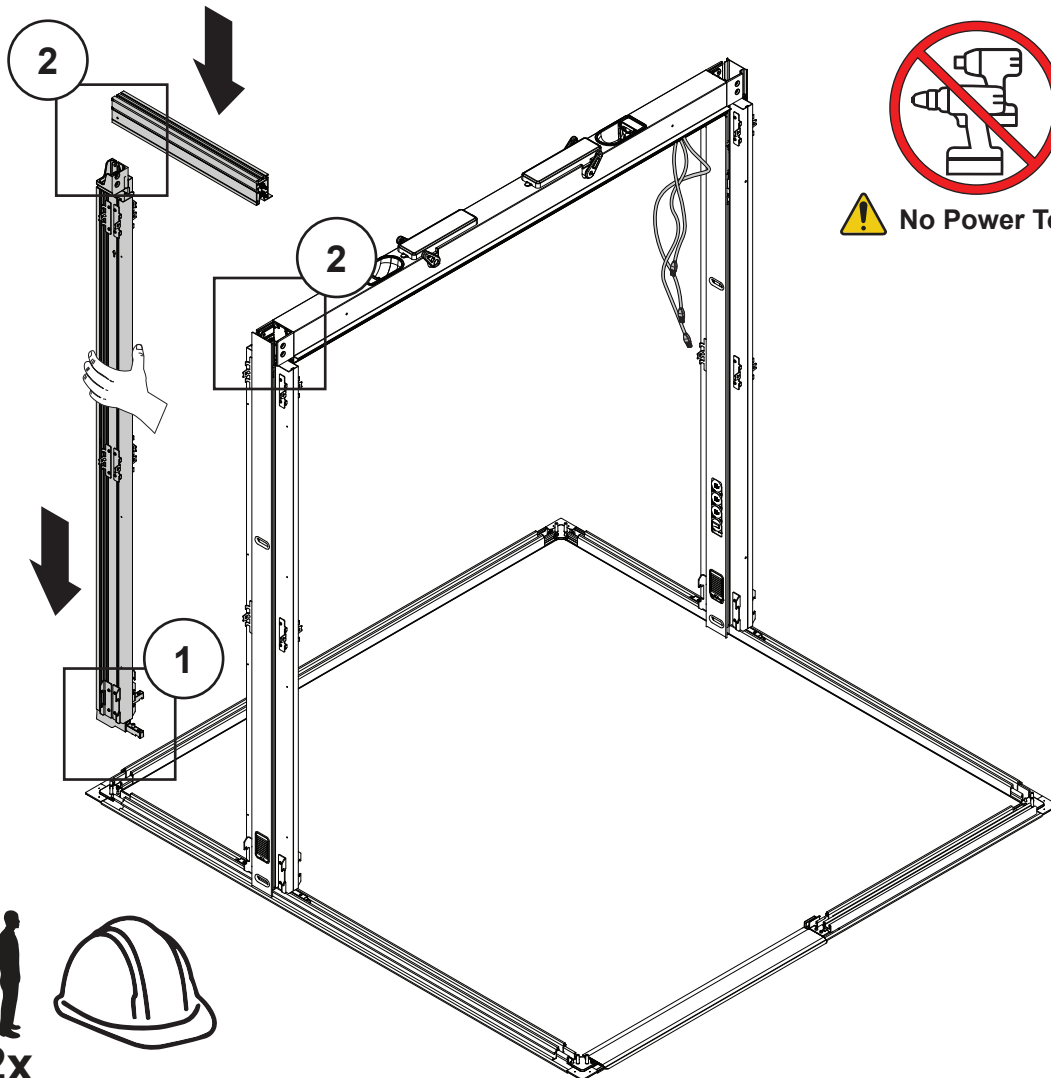
Hand start all fasteners.



⚠ No Power Tools ! M8



Step 3.1 Rear Frame Assembly



Hand start
all fasteners.

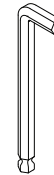


⚠ No Power Tools ! M8

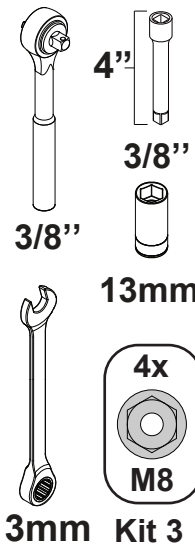


10x25

2x
Kit 3



M8



4"

3/8"

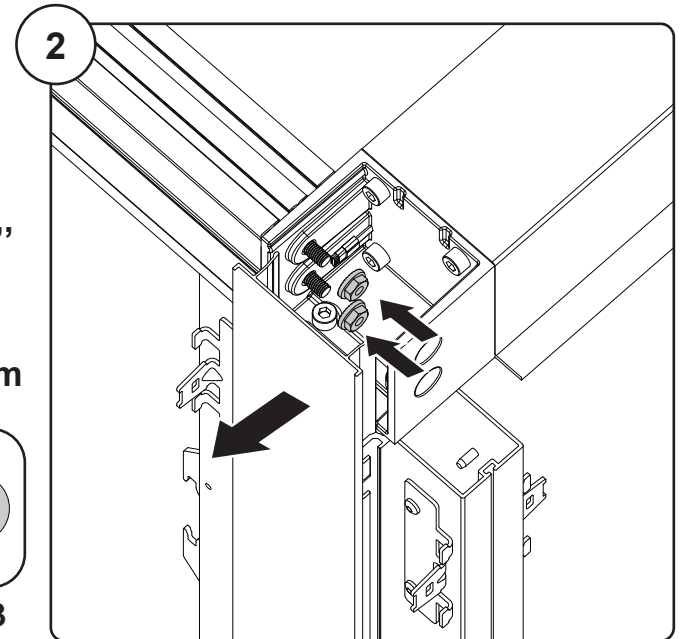
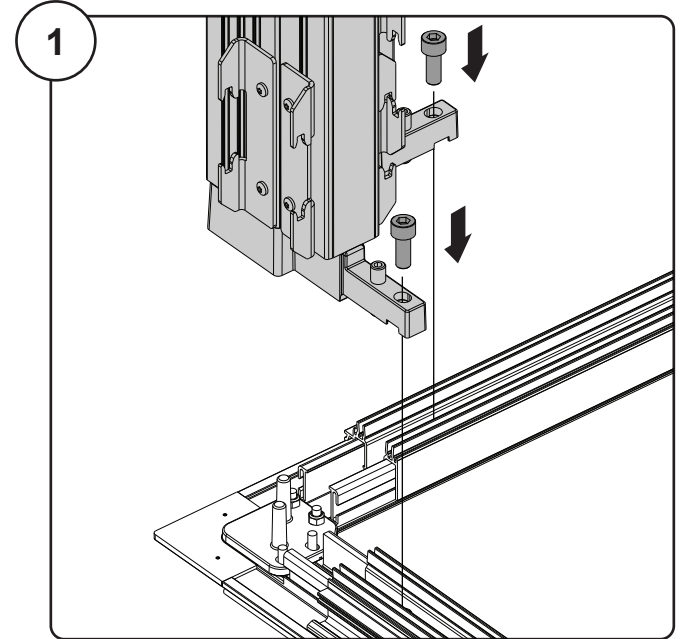
3/8"

13mm

4x

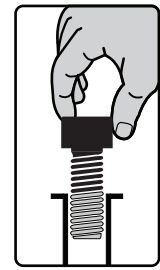
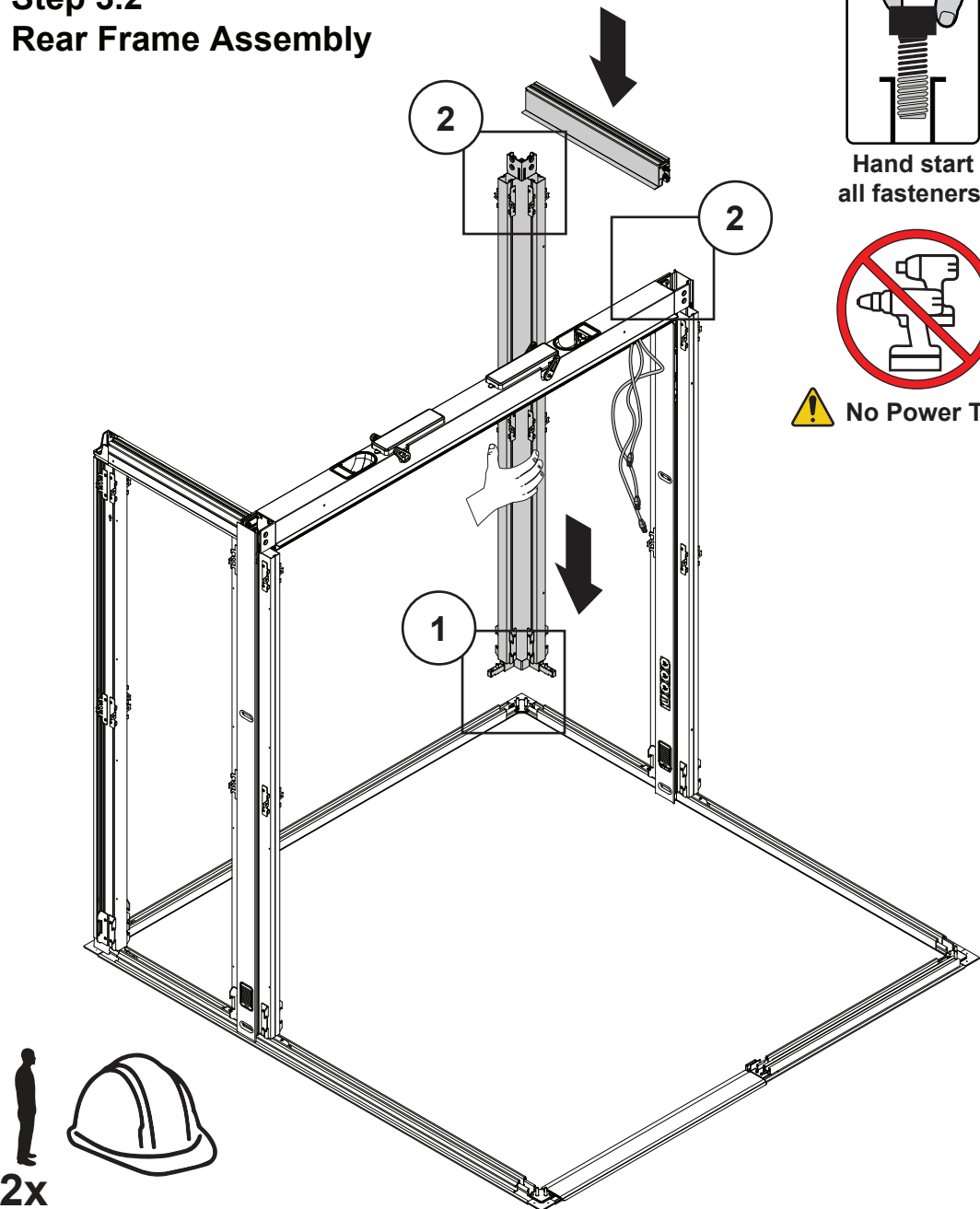
M8

13mm Kit 3



2x

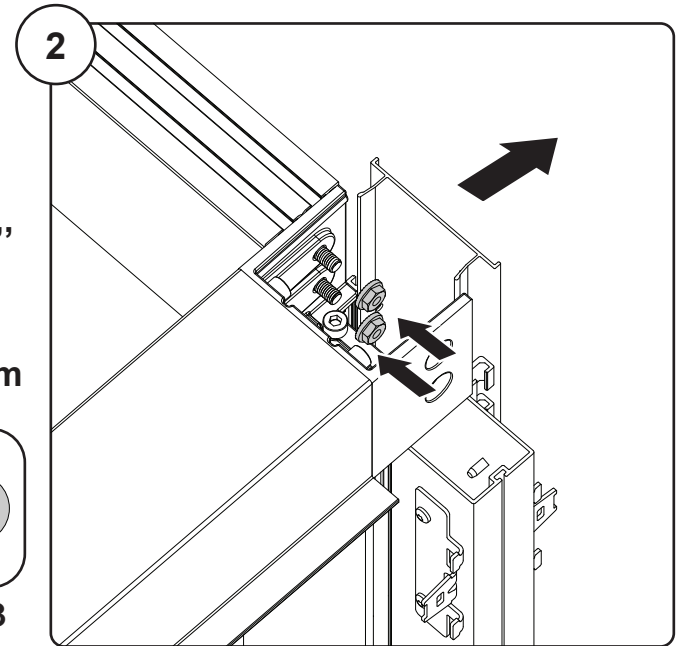
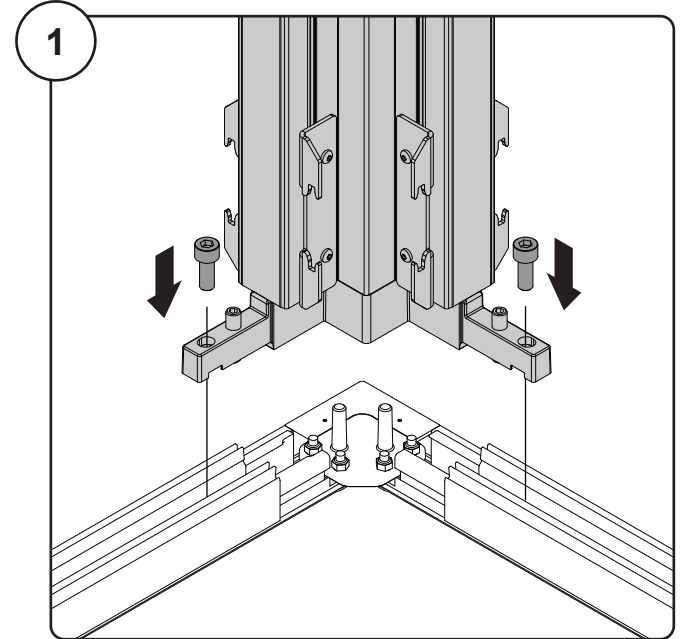
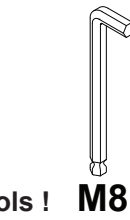
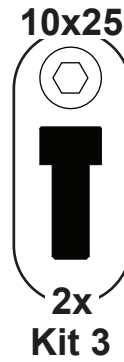
Step 3.2 Rear Frame Assembly



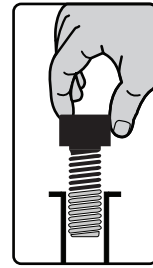
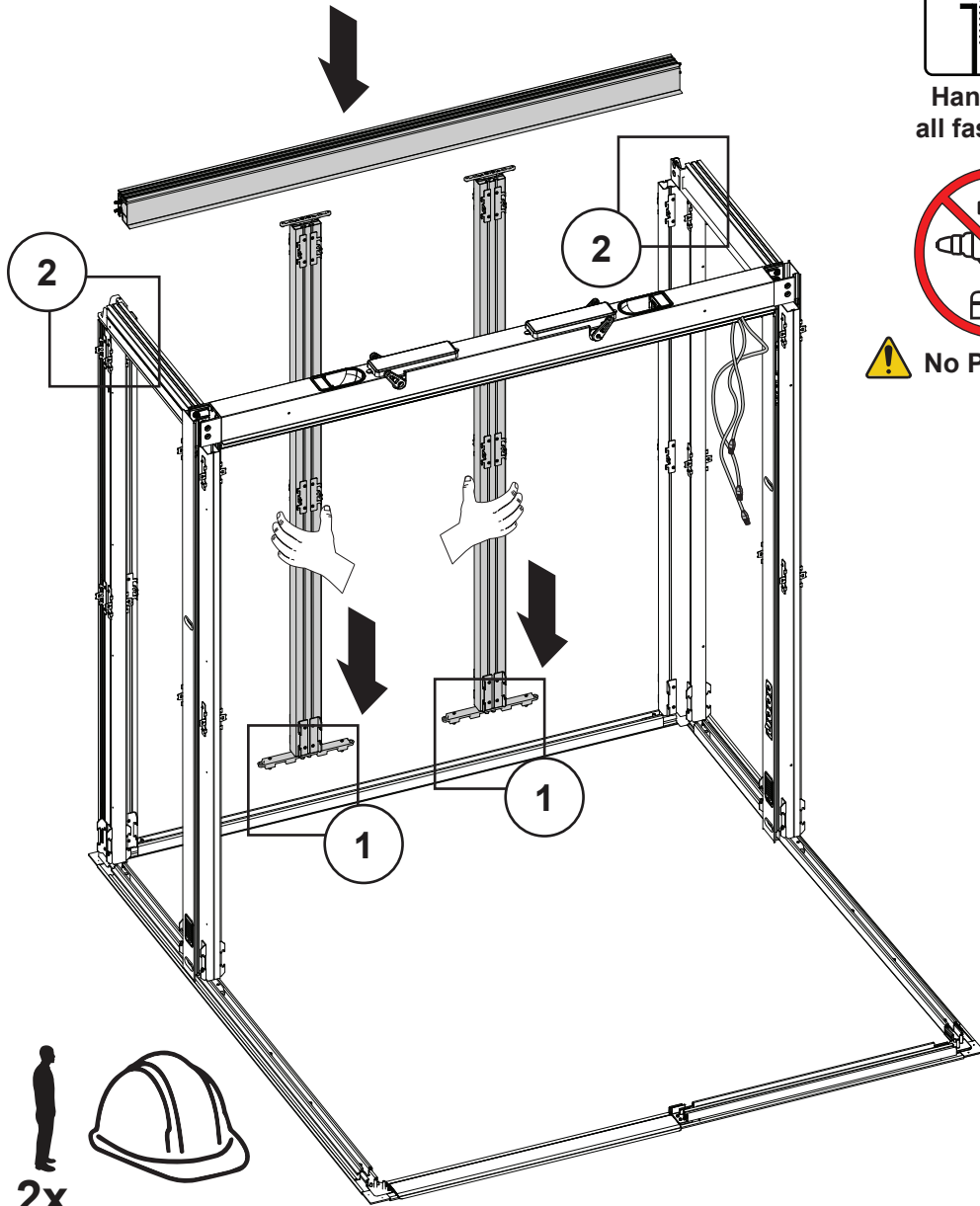
Hand start
all fasteners.



No Power Tools ! M8



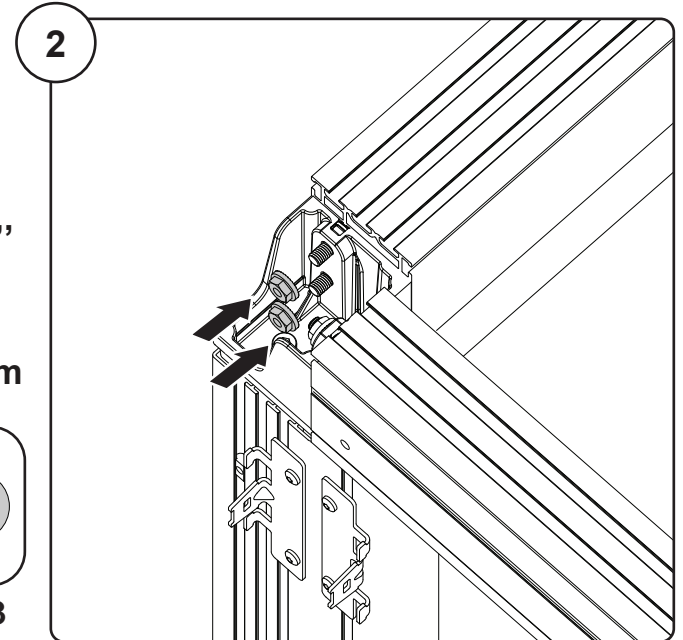
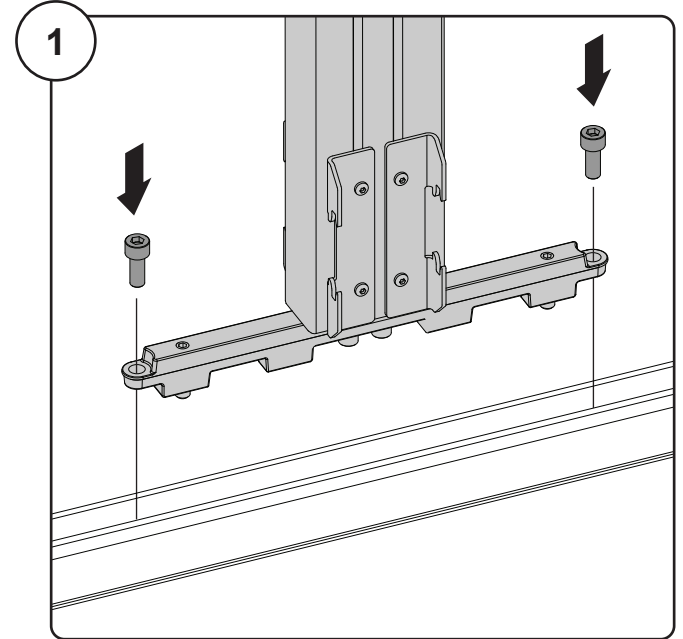
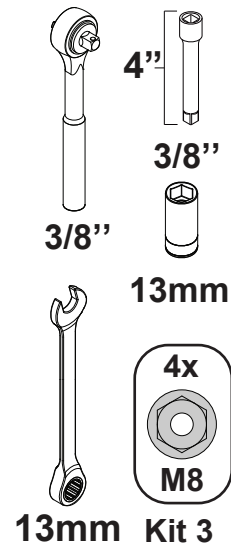
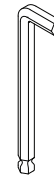
Step 3.3 Rear Frame Assembly



Hand start
all fasteners.



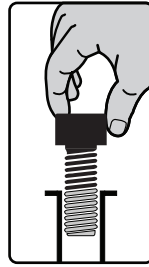
 No Power Tools ! M8



Step 4.1 Front Frame Assembly

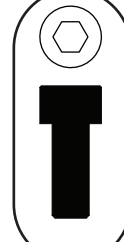


 No Power Tools !

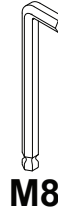


Hand start
all fasteners.

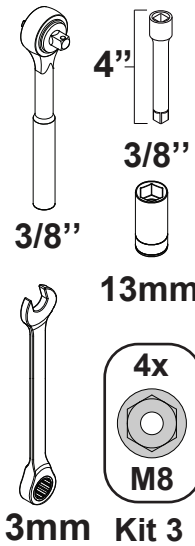
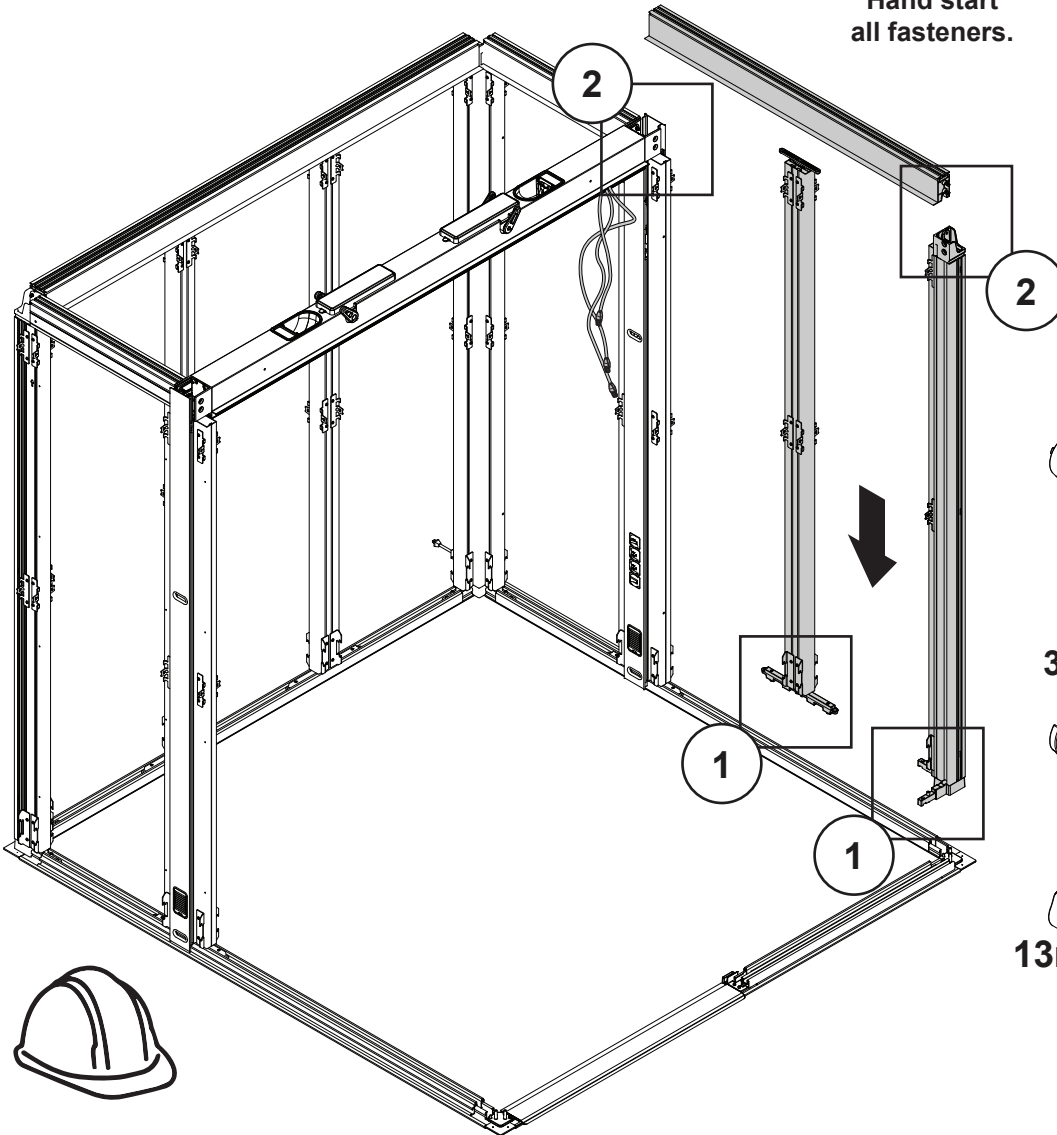
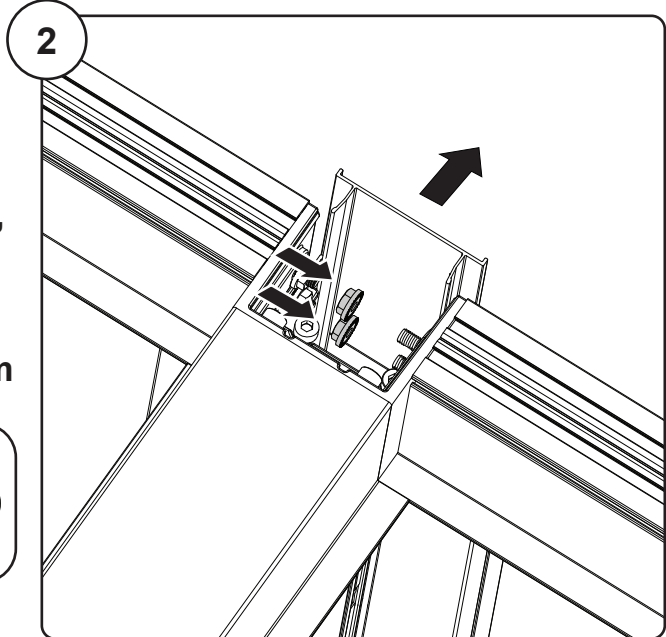
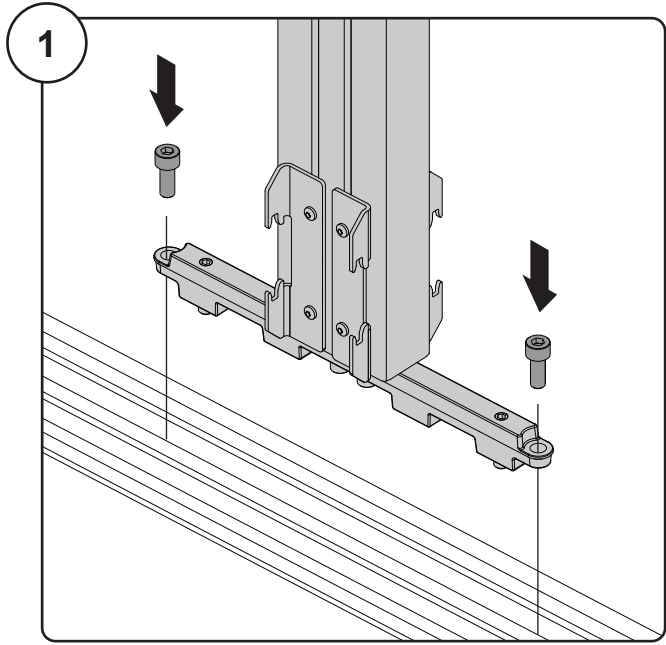
10x25



4x
Kit 3



M8



13mm Kit 3

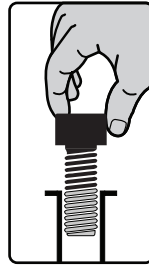


2x

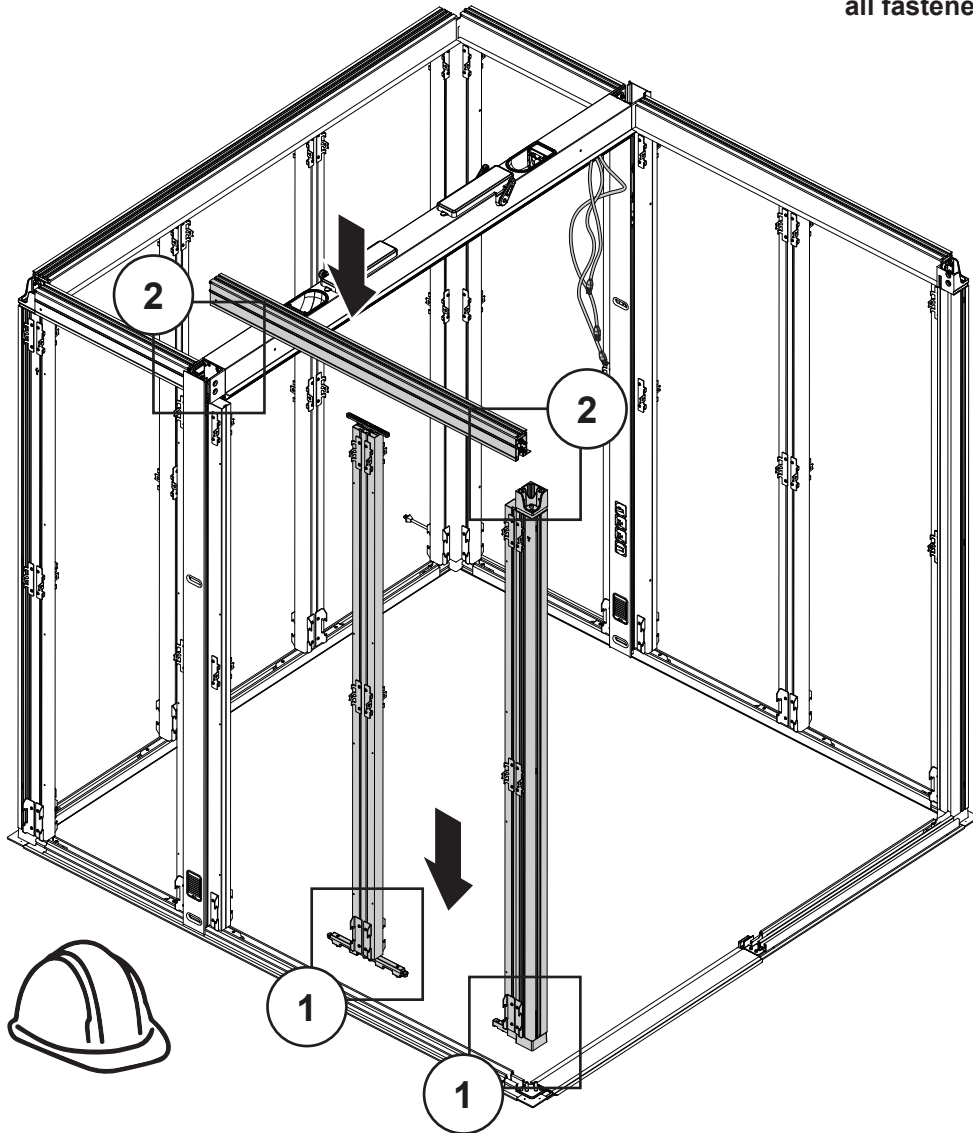
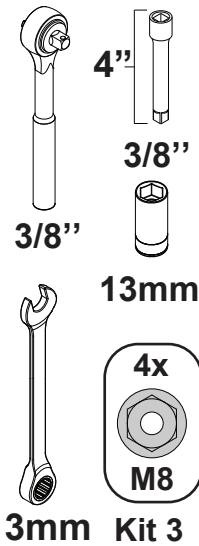
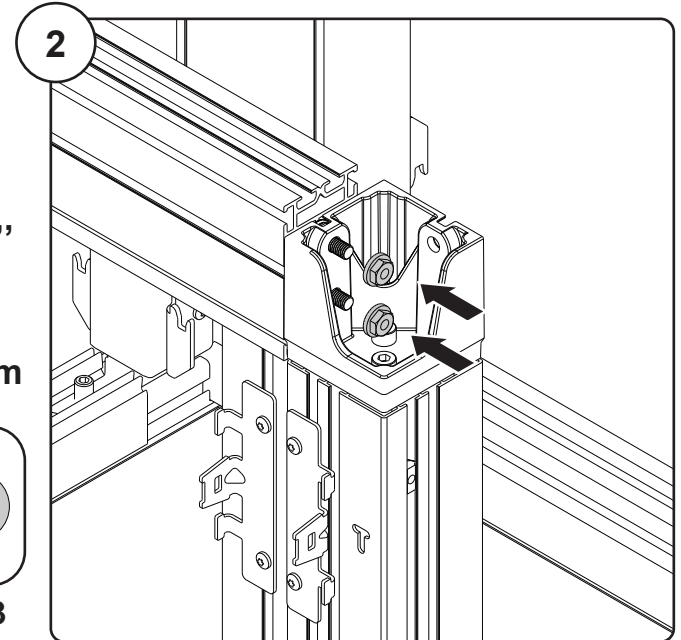
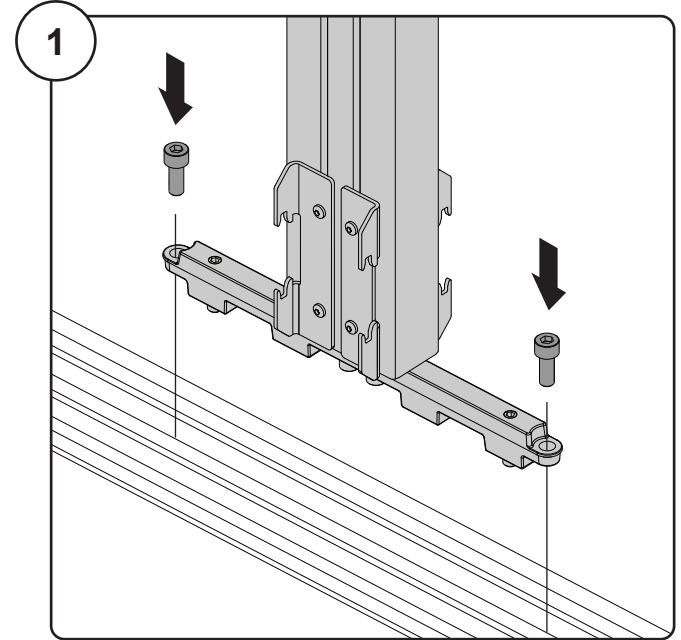
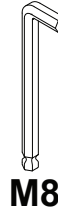
Step 4.2 Front Frame Assembly



⚠ No Power Tools !



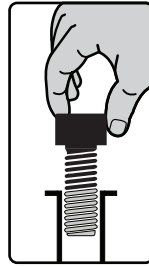
**Hand start
all fasteners.**



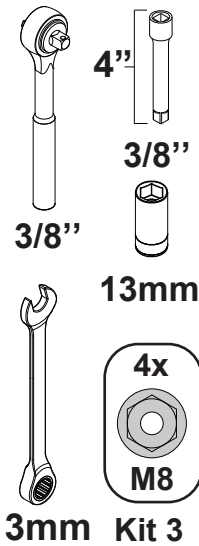
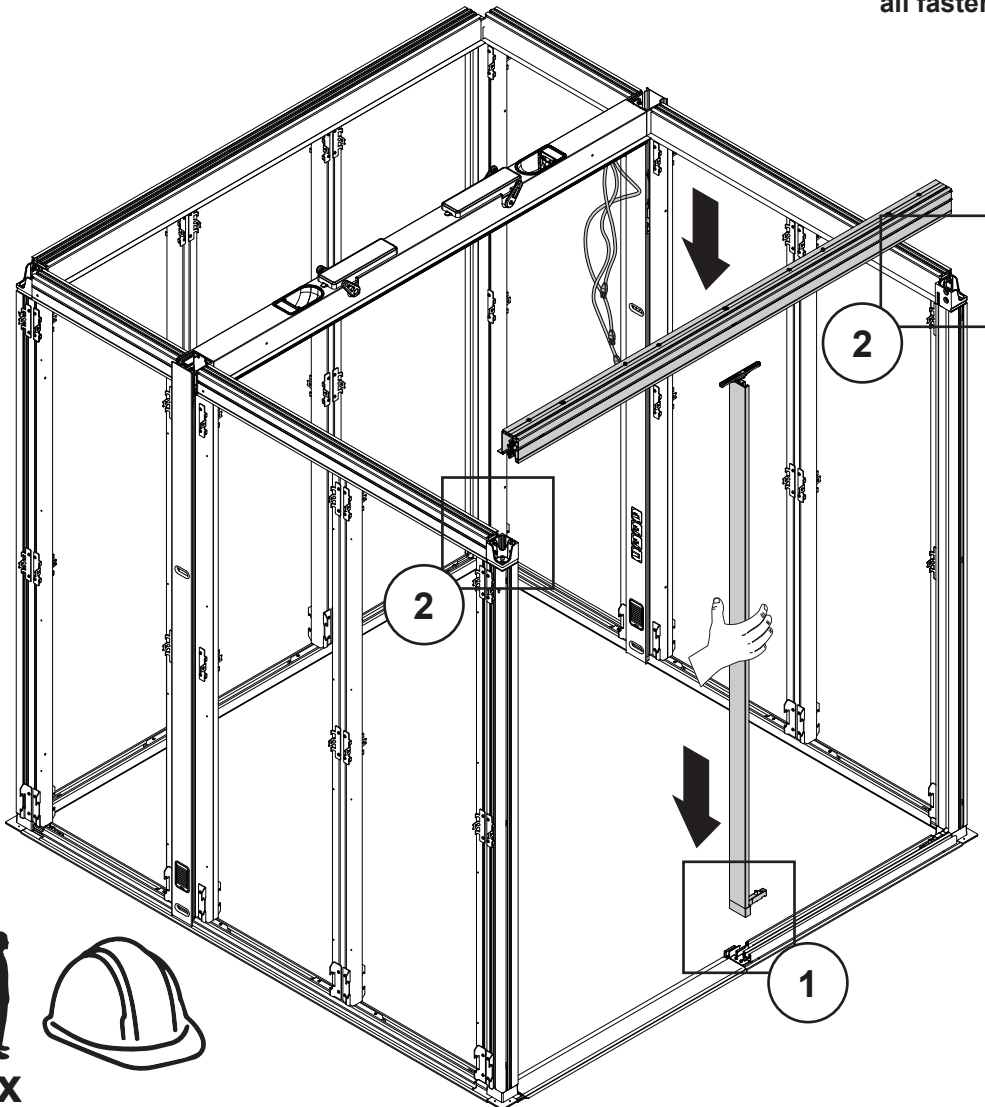
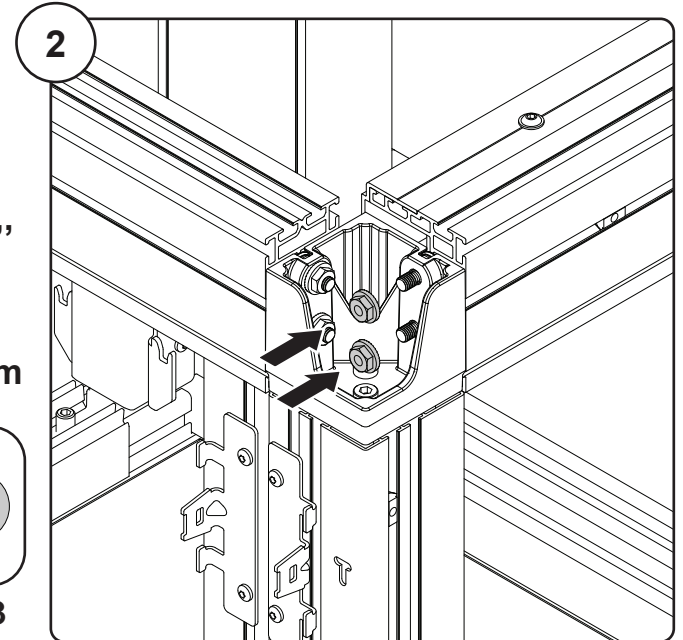
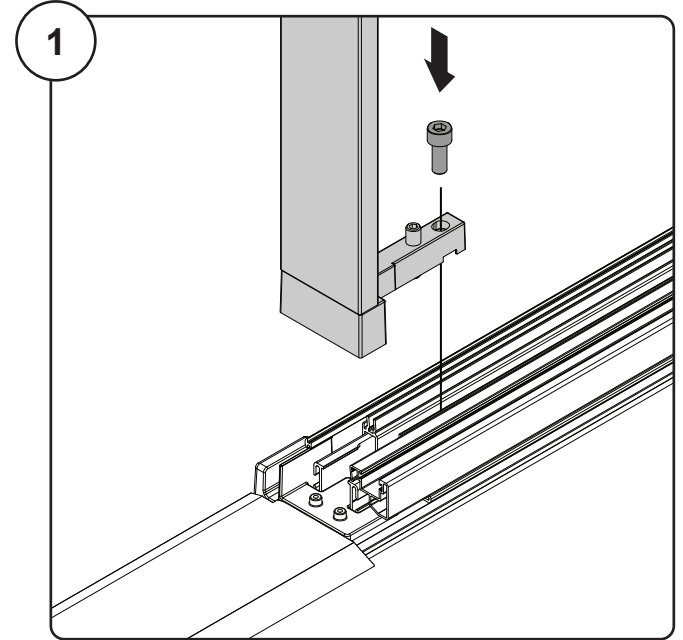
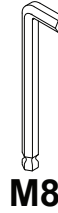
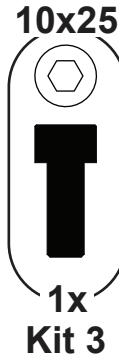
Step 4.3 Front Frame Assembly



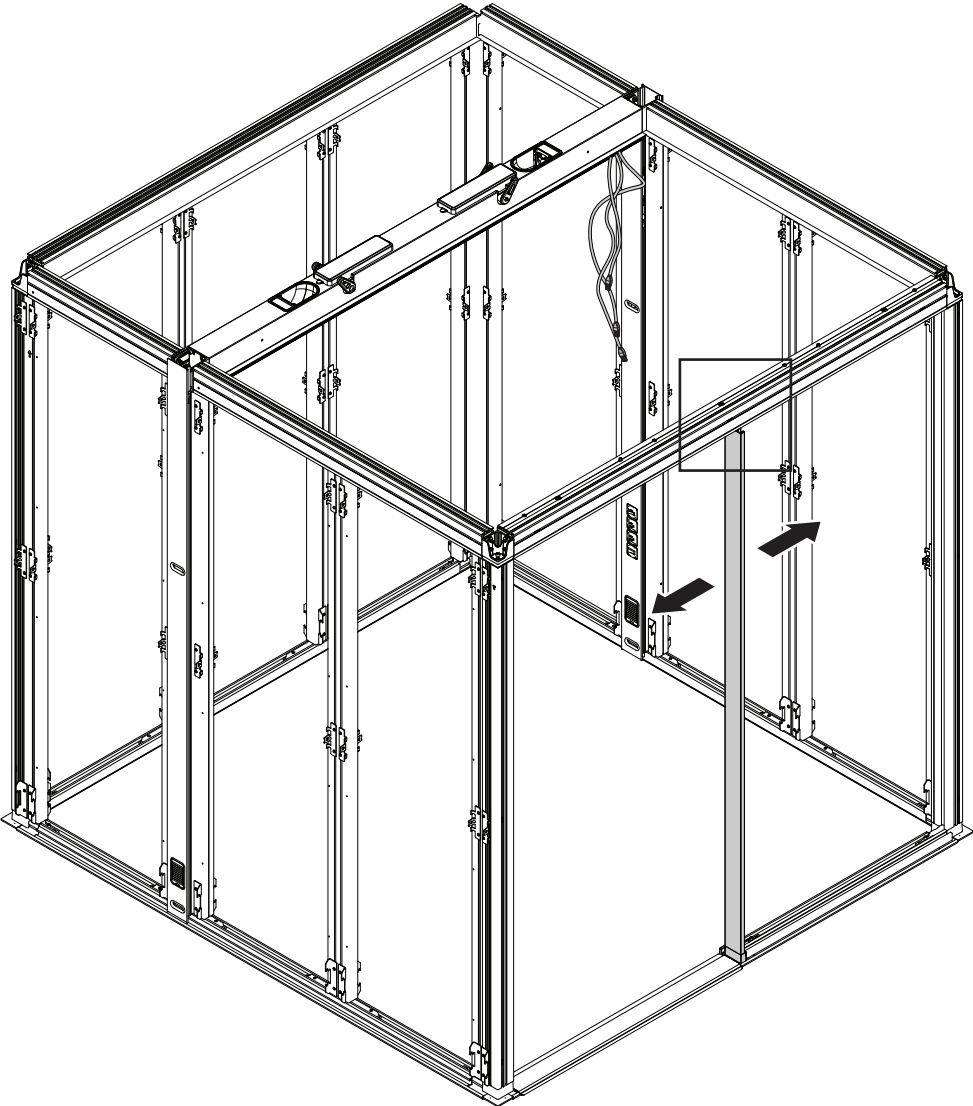
 No Power Tools !



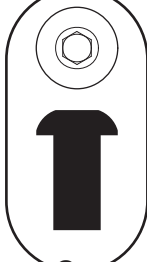
Hand start
all fasteners.



Step 4.4 Front Frame Assembly



M6x18

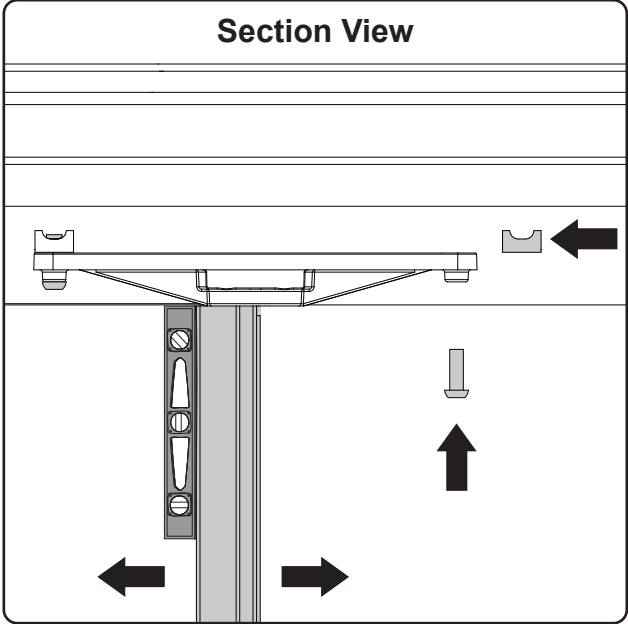


2x
Kit 3



M4

Section View

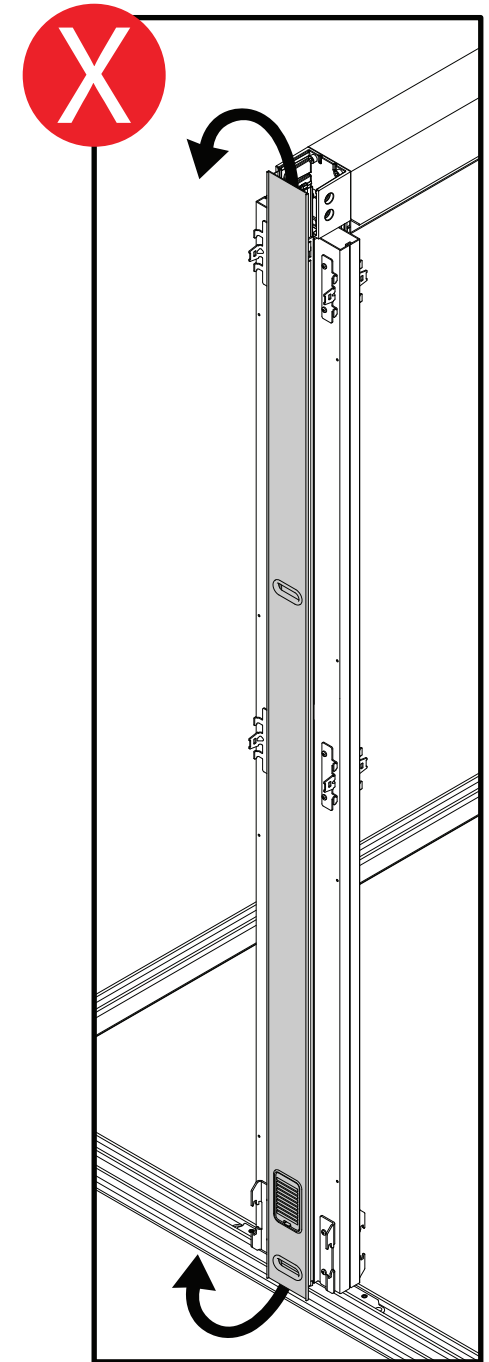
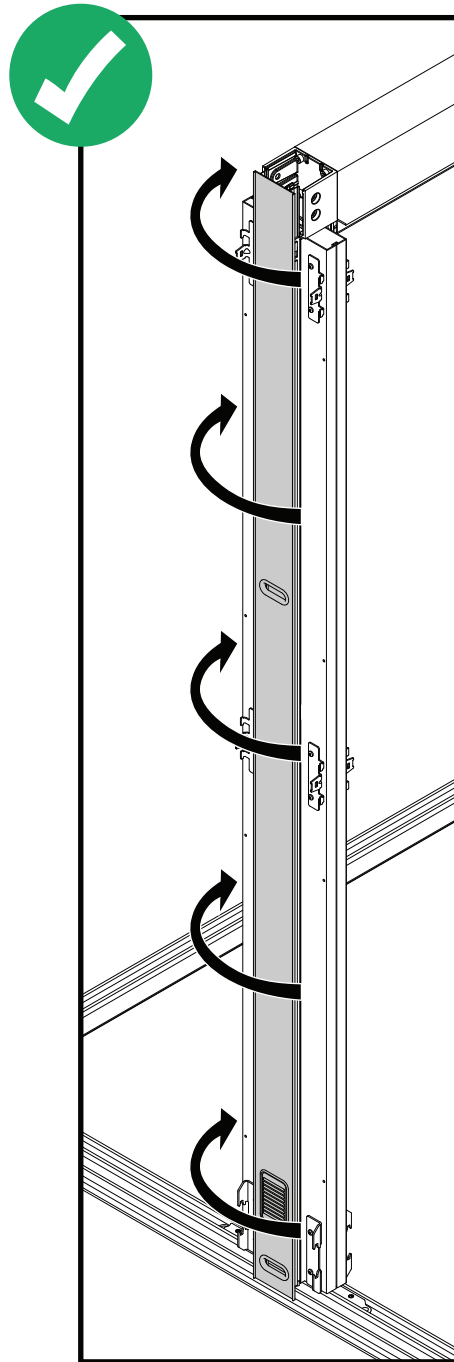


Removing Trim Covers

Important:

Damage may occur if these instructions are not followed.

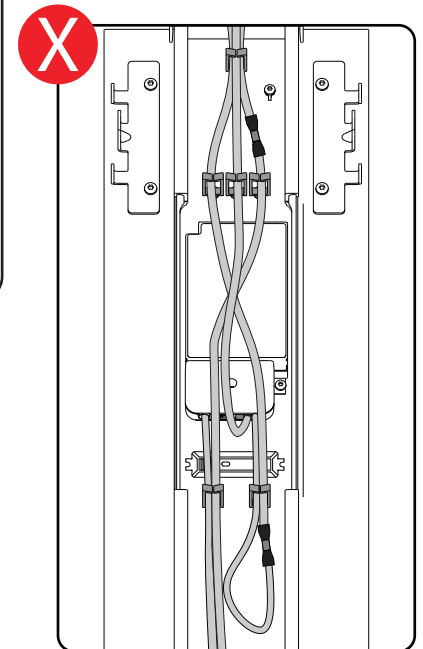
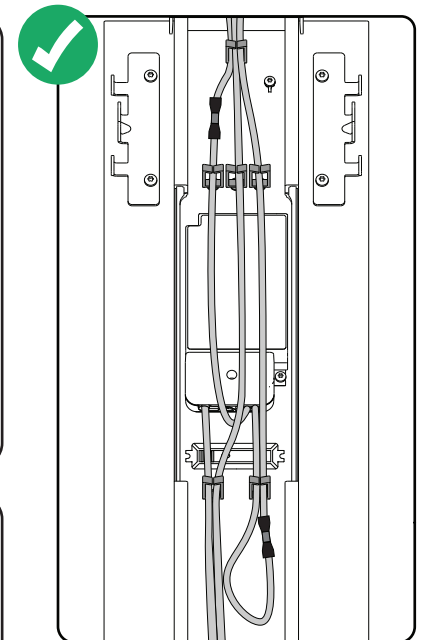
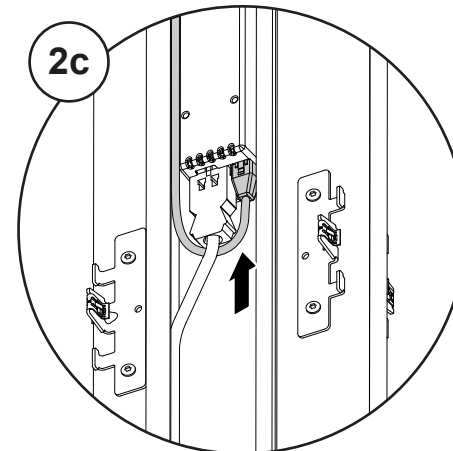
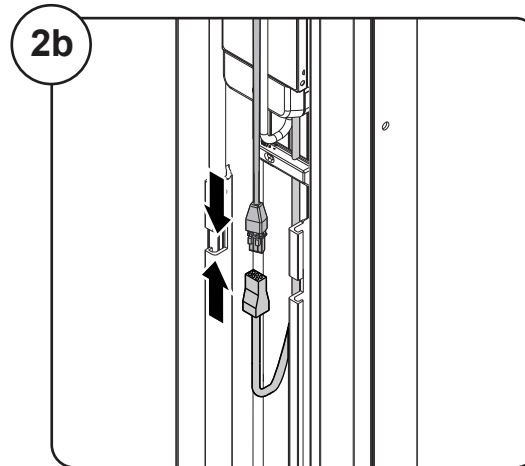
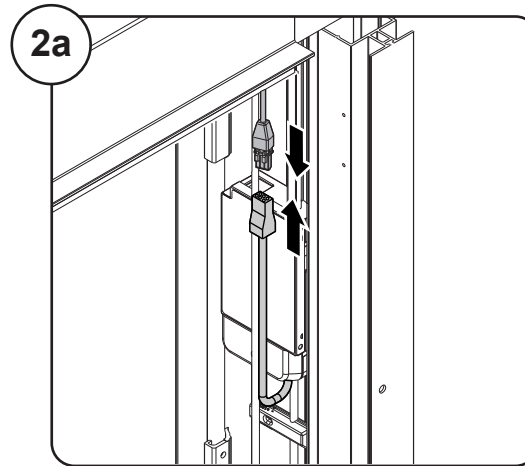
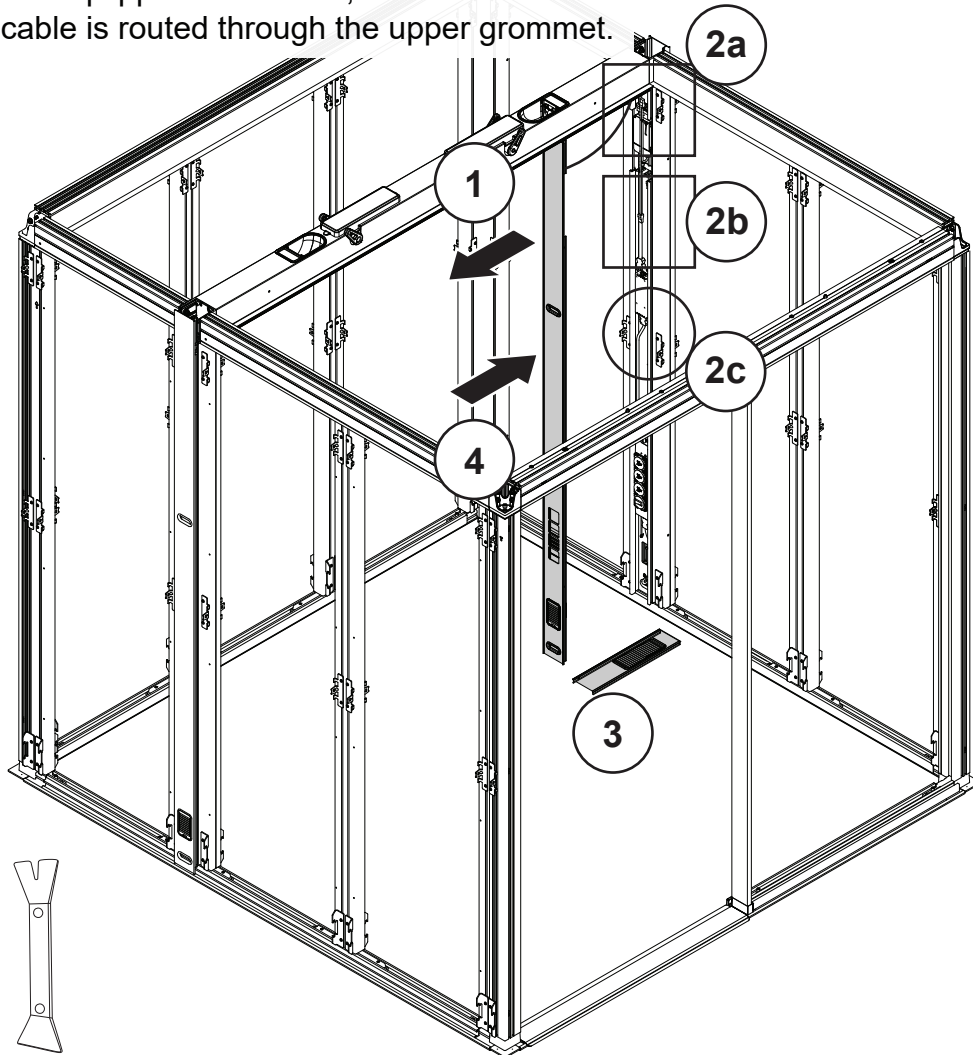
When removing Inside or Outside Trim Covers, start at the bottom and pry only on one side, working up the cover, until the cover is removed. Do not pry up both sides simultaneously.



Step 4.5 Front Frame Assembly - Wiring

1. Remove inside cover from power side.
2. Connect wires.
3. Reinstall top vent cover.
4. Reinstall inside cover.

*. If equipped with HDMI, ensure HDMI cable is routed through the upper grommet.



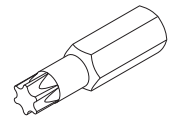
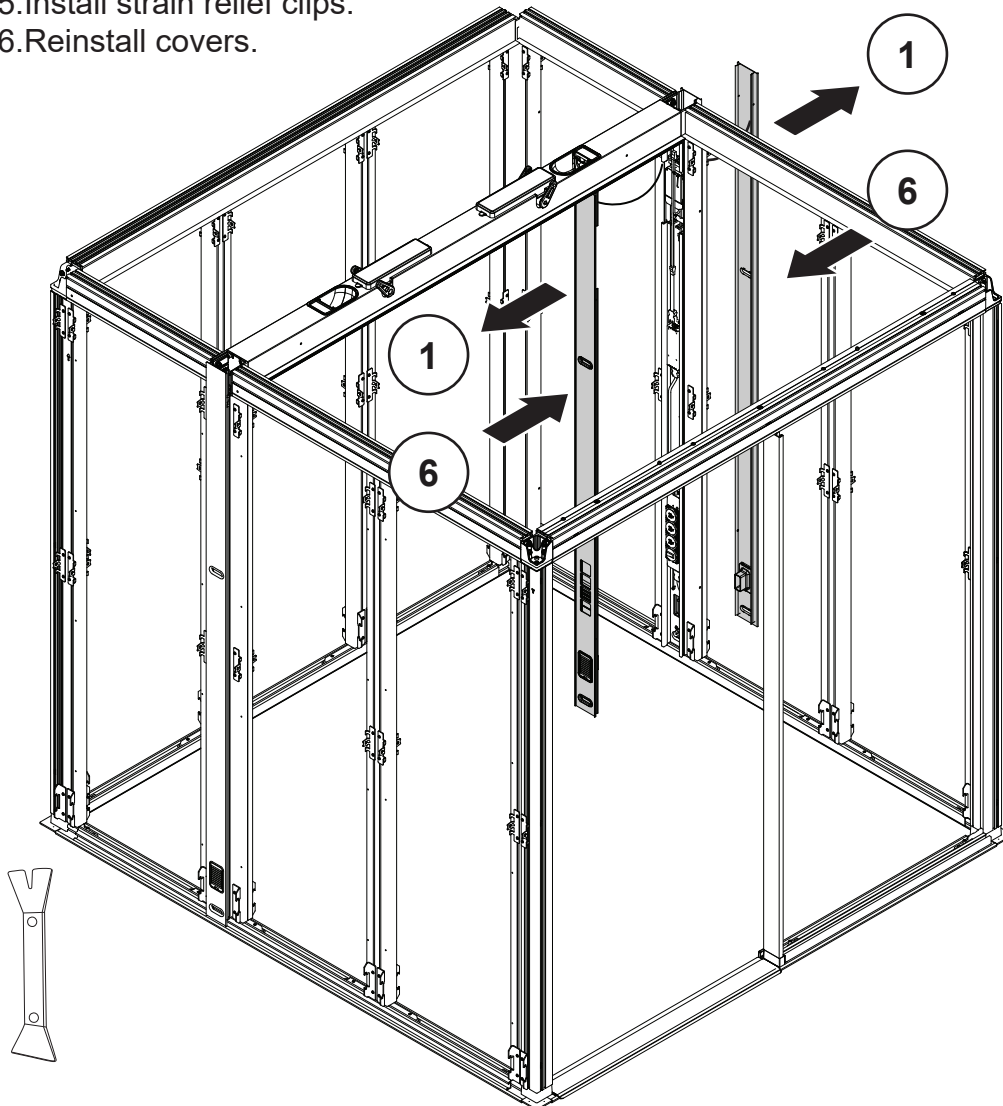
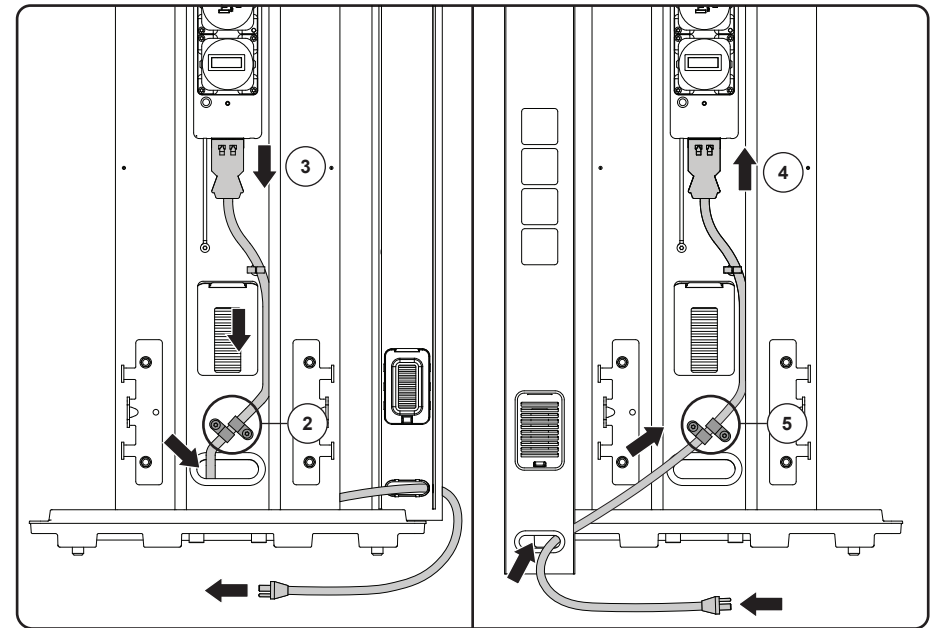
Note: Do not pinch wires.
Do not cross wires.

Note: Ensure connectors
are fully seated.

Step 4.6

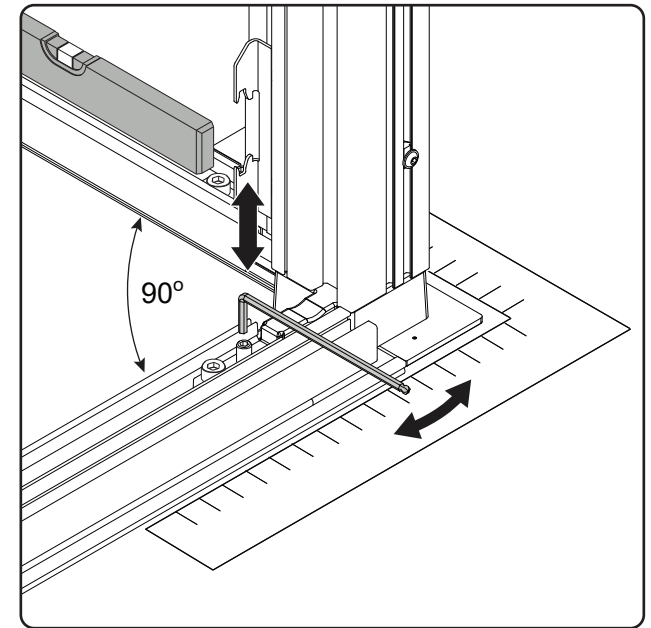
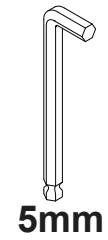
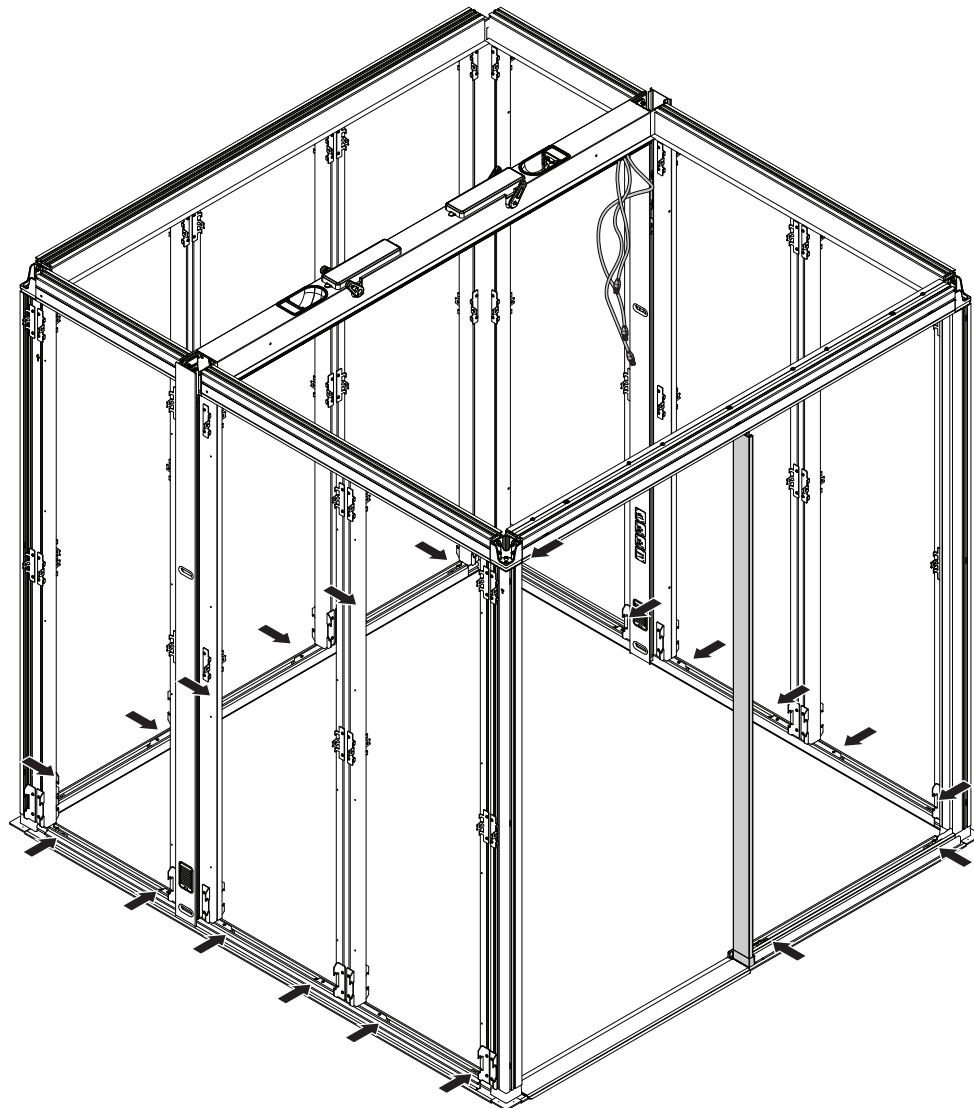
Optional: Power cord exit location change to inside

1. Remove outside and inside covers from power side.
2. Remove strain relief clips.
3. Remove power cord from trim cover.
4. Re-route power cord through Inside Cover.
5. Install strain relief clips.
6. Reinstall covers.

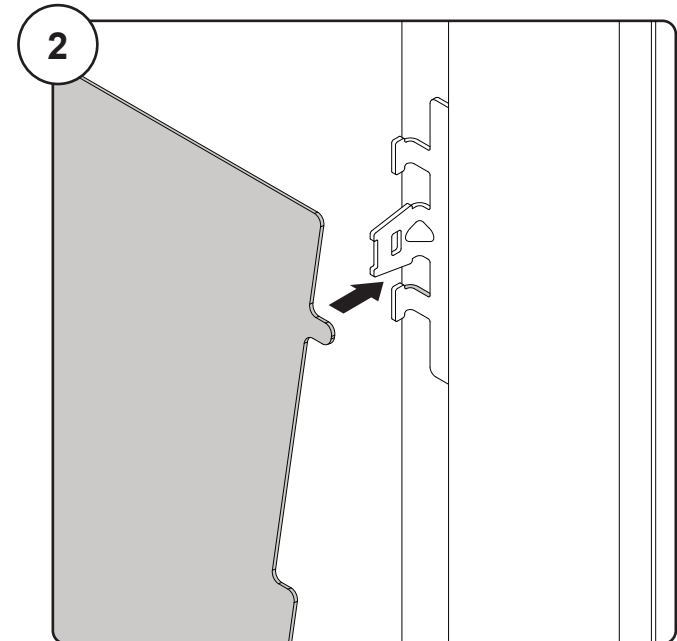
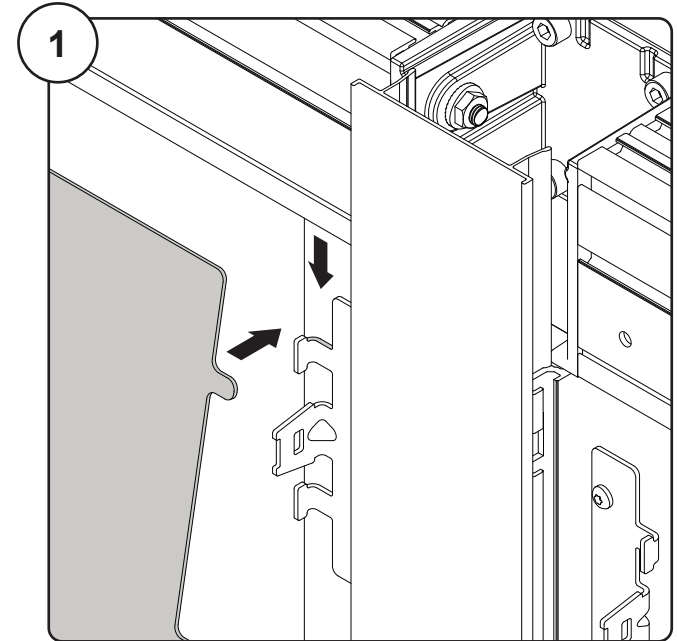
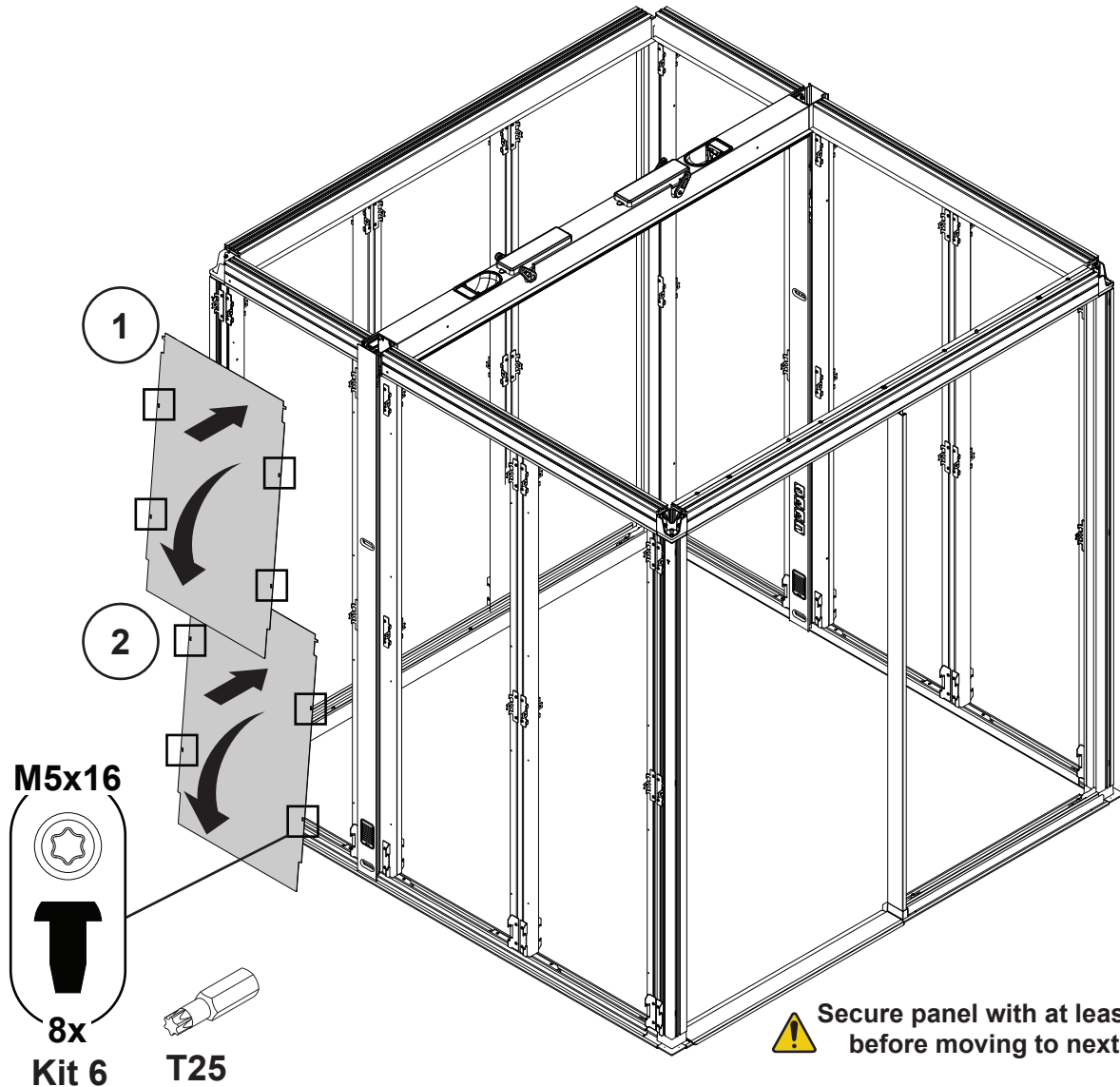


T20

Step 5.1 Frame - Verify Square and Level Base

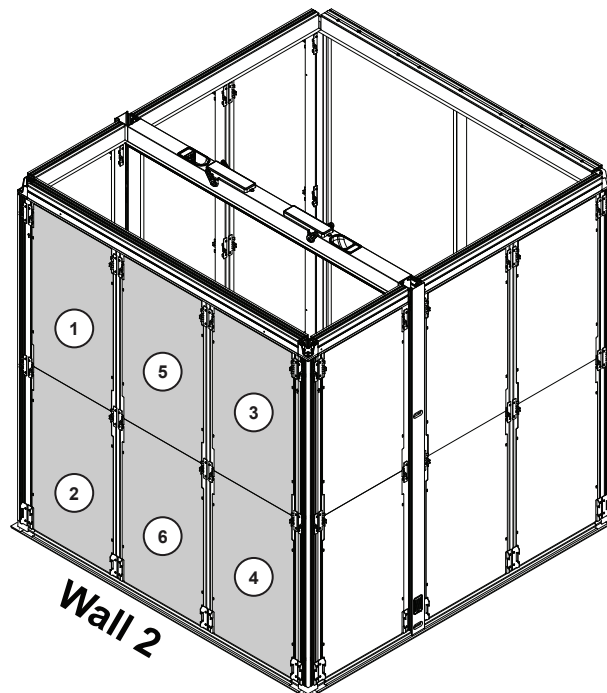
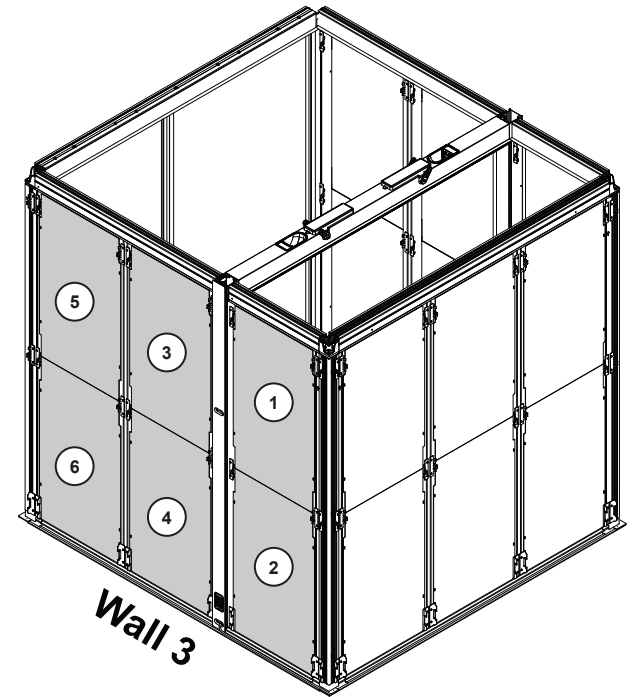
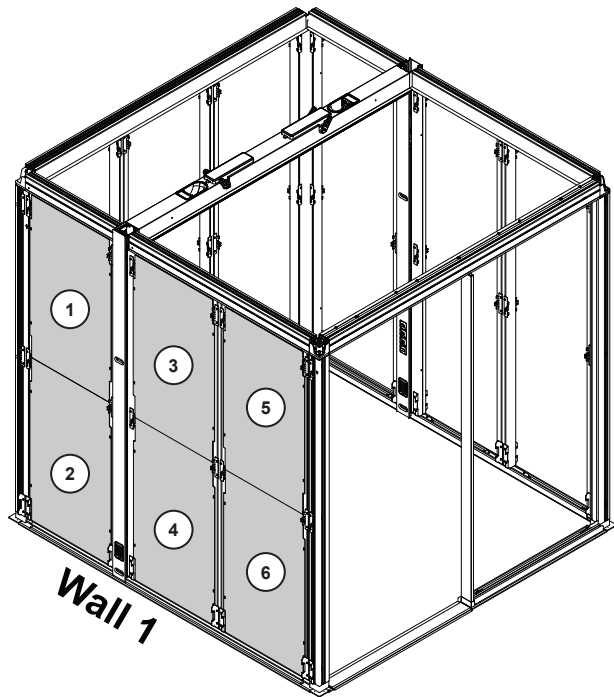


Step 6.1 Acoustic Panels Assembly

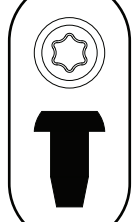


 Secure panel with at least one bolt
before moving to next panel !

Step 6.2 Acoustic Panels Installation Order




M5x16



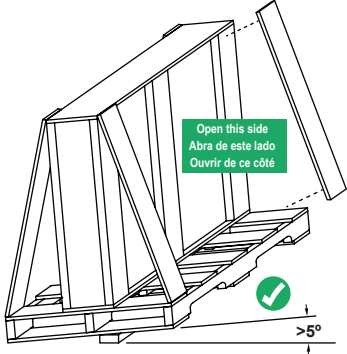
72x
Kit 6

Step 7.1 Glass unboxing


⚠ WARNING ⚠ ADVERTENCIA ⚠ AVERTISSEMENT



READ DIRECTIONS AND MANUAL FIRST
LEA PRIMERO LAS INSTRUCCIONES Y EL MANUAL
LISEZ D'ABORD LES DIRECTIVES ET LE GUIDE







Open this side
Abra de este lado
Ouvrir de ce côté



RISK OF SERIOUS INJURY
RIESGO DE LESIONES GRAVES
RISQUE DE GRAVES BLESSURES!


Safety Instructions Instrucciones de Seguridad Consignes de Sécurité

- Before opening, ensure crate is stable and tilted at least 5 degrees to prevent glass from falling out.
- To open, cut any bands first and pry off boards on front of crate.
- Before removing glass, check crate and remove protruding nails or screws that could scratch glass.
- Wear appropriate personal protective equipment (safety glasses, gloves, safety shoes and skin protection).
- Tempered Glass is very heavy and can shatter while handling. Use two or more people to handle glass.
- Handle carefully. A scratched surface, damaged surface, or edge impact can cause the glass to shatter suddenly into sharp pieces.

- Antes de abrir, asegúrese de que la caja esté estable e inclinada al menos por 5 grados para evitar que el vidrio se salga de la caja.
- Para abrir, corte primero las bandas de embalaje y luego separe las tablas del frente de la caja.
- Antes de retirar el vidrio, chequee la caja y quite los clavos o tornillos salientes que puedan rayar el vidrio.
- Use el equipo apropiado de protección personal (gafas de seguridad, guantes, zapatos de seguridad y protección para la piel).
- El vidrio templado es muy pesado y se puede romper durante su manipulación. Use dos o más personas para manipular el vidrio.
- Manéjelo con cuidado. Una superficie rayada o dañada, o el impacto sobre el borde pueden causar que el vidrio se rompa de repente en trozos afilados.

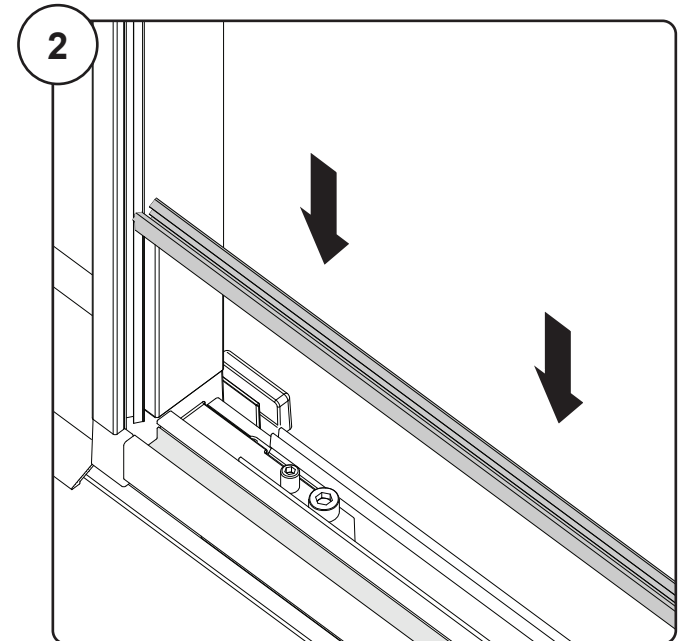
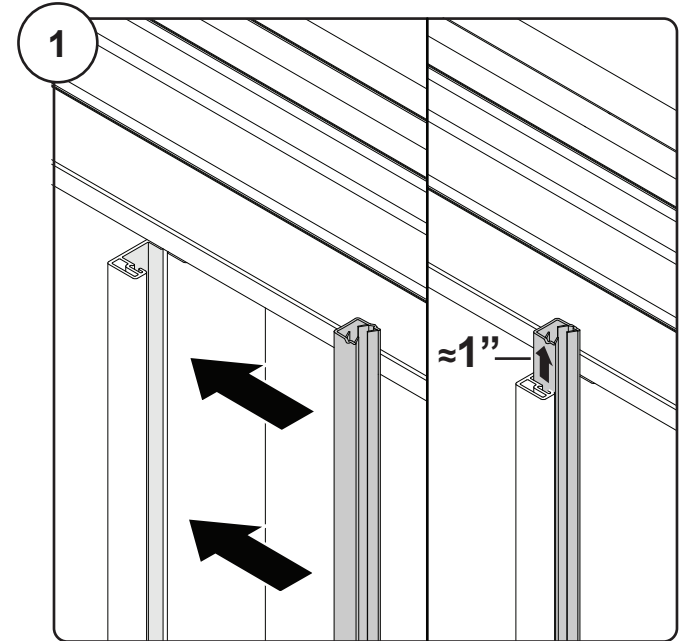
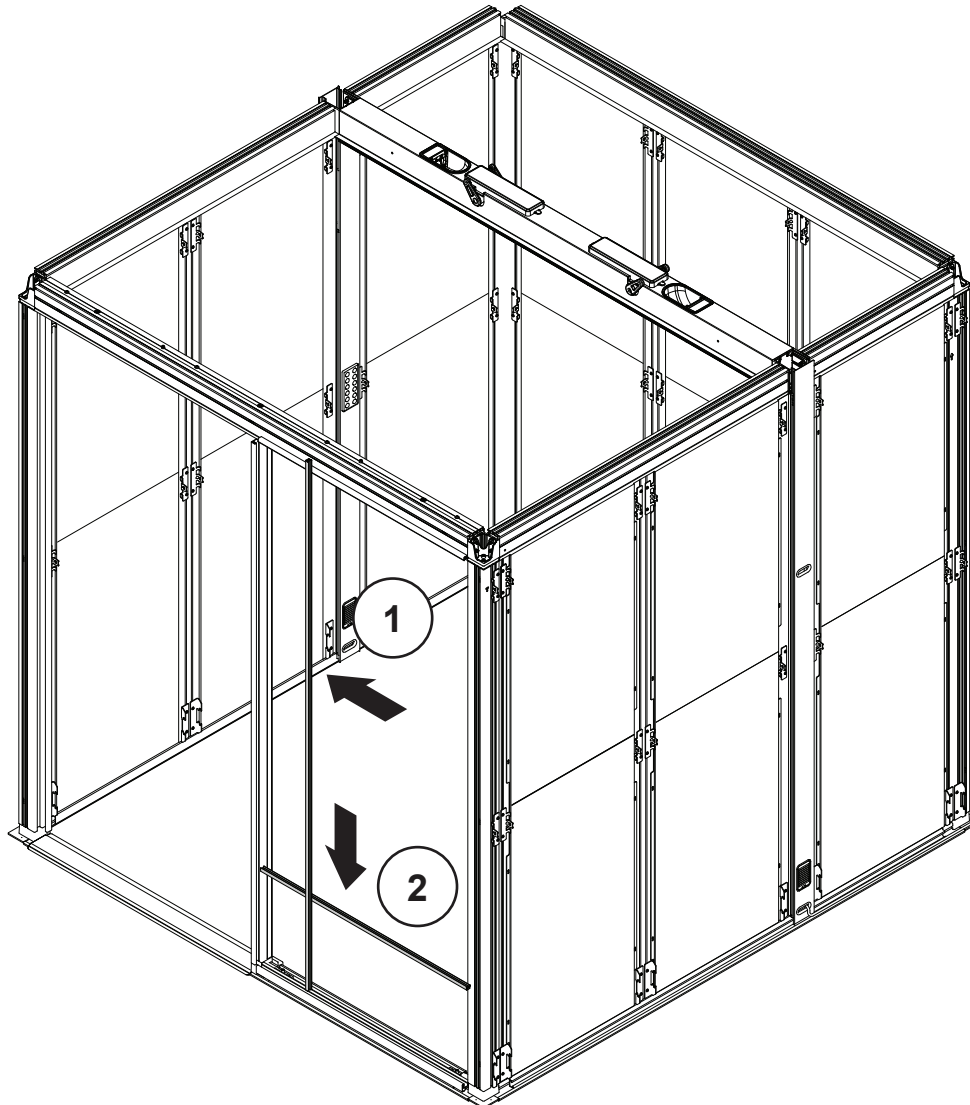
- Avant d'ouvrir, assurez-vous que la caisse à claire-voie est stable et inclinée d'au moins 5 degrés pour éviter que la vitre bascule hors de la caisse.
- Pour ouvrir, coupez d'abord les bandes d'emballage, puis écartez les bords sur le devant de la caisse.
- Avant de retirer la vitre, vérifiez la caisse et enlevez les clous ou les vis qui pourraient dépasser et qui pourraient égratigner la vitre.
- Portez de l'équipement de protection individuelle approprié (lunettes de sécurité, gants, chaussures de sécurité et vêtements de protection).
- Le verre trempé est très lourd et peut se briser en éclats lorsqu'on le manipule. Au moins deux personnes sont nécessaires pour manipuler la vitre.
- Manipulez avec soin. Une surface égratignée ou endommagée ou encore un choc sur le rebord peut faire en sorte que le verre se brise soudainement en éclats tranchants.



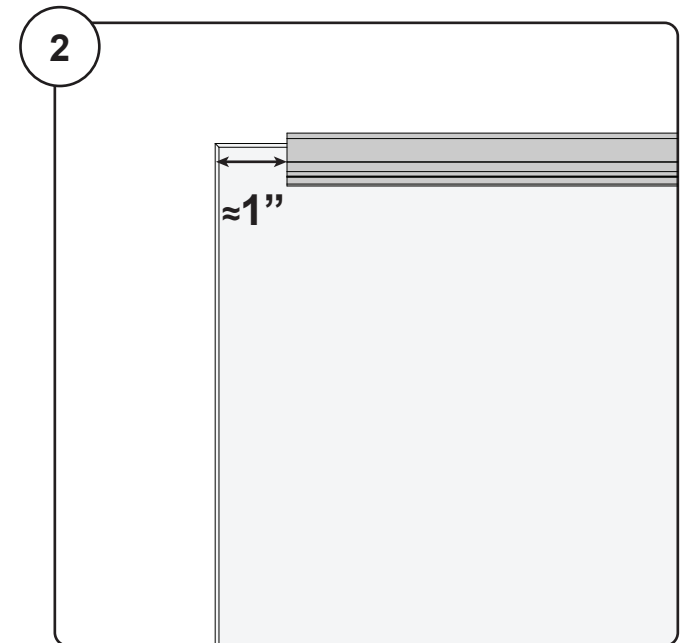
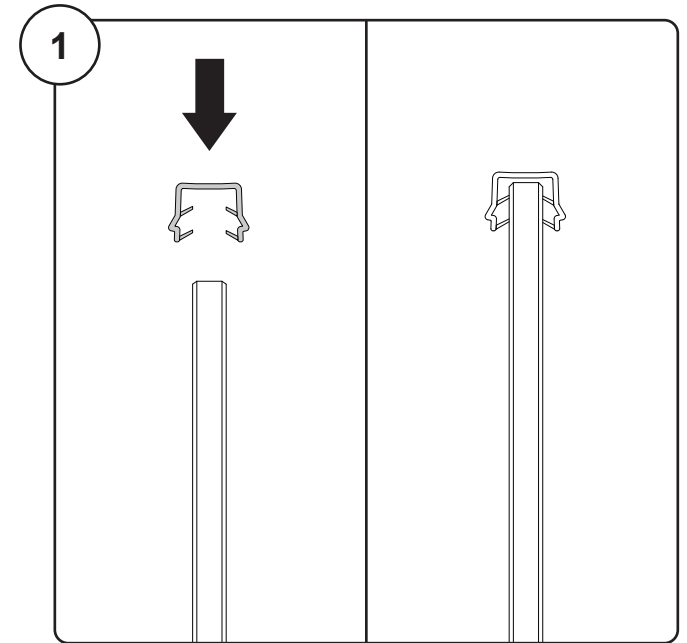
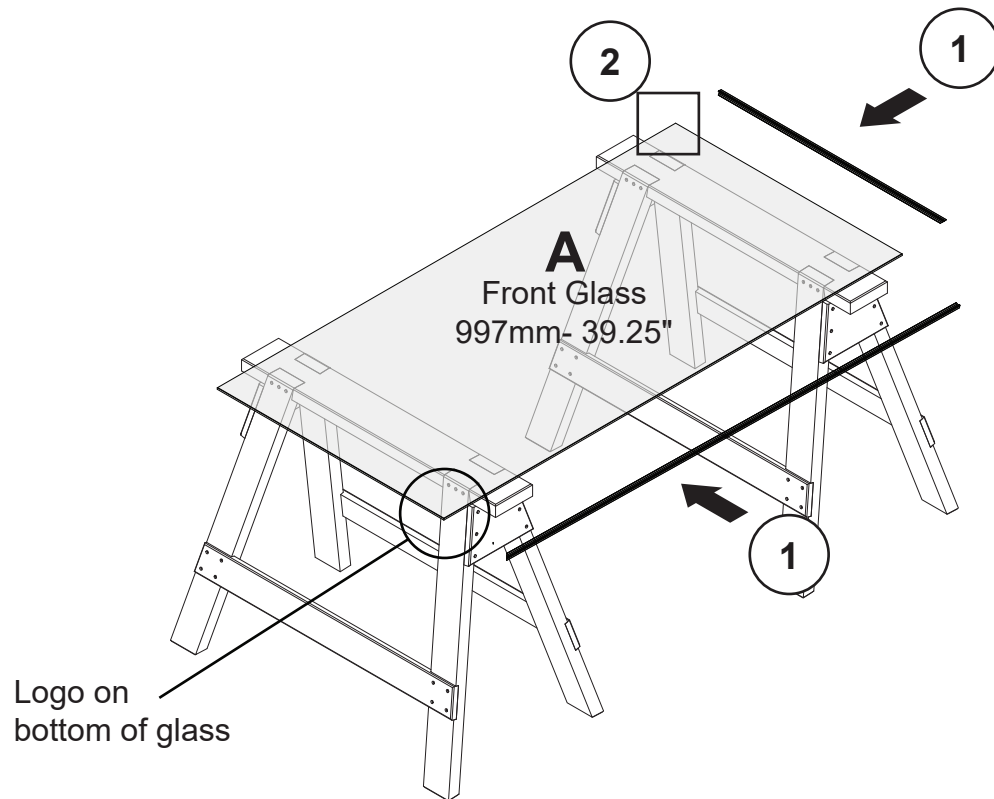
1/888-783-3522
Steelcase.com

1062515001 Rev B

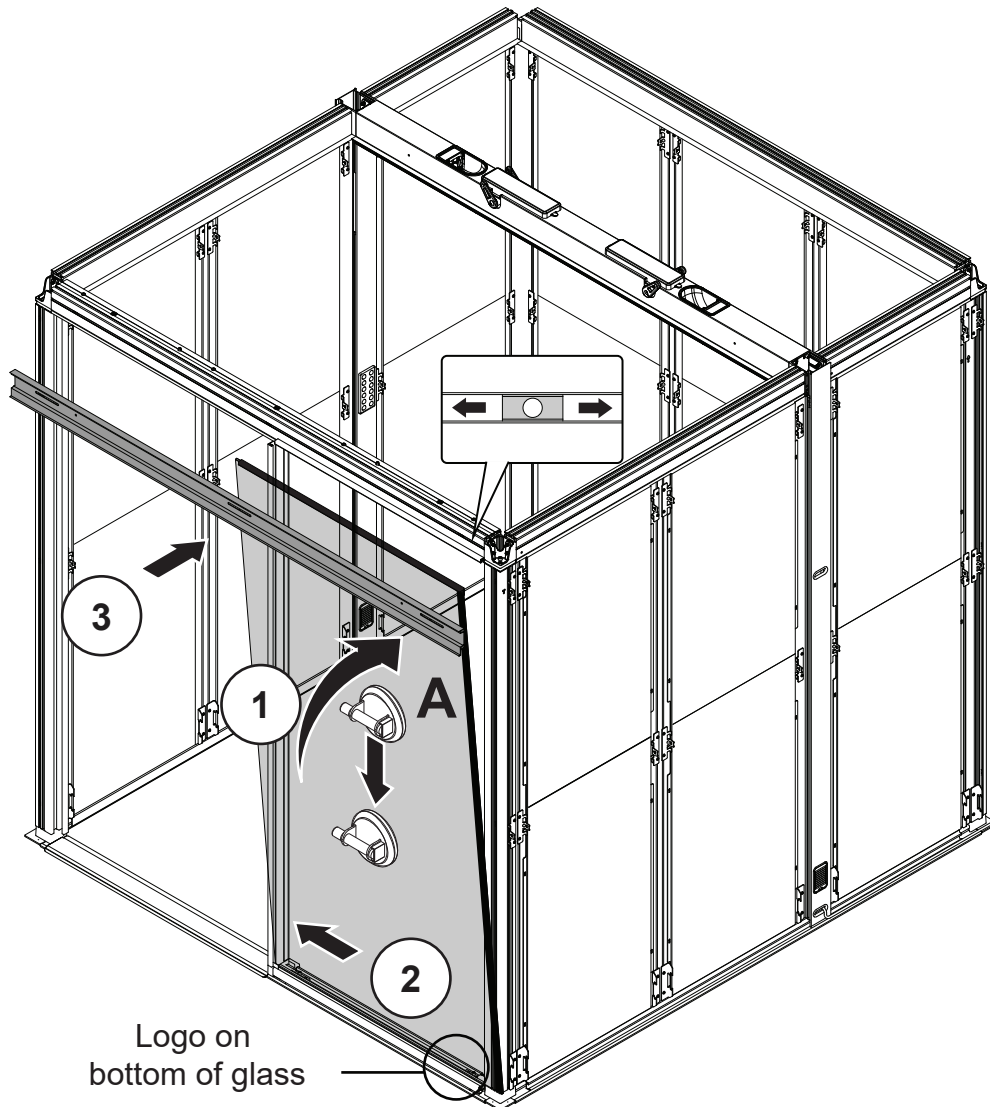
Step 7.2 Glass - Install Glazing



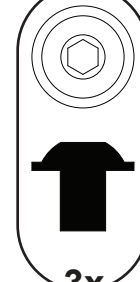
Step 7.3 Glass - Install Glazing



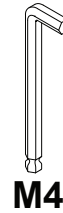
Step 7.4 Glass Assembly



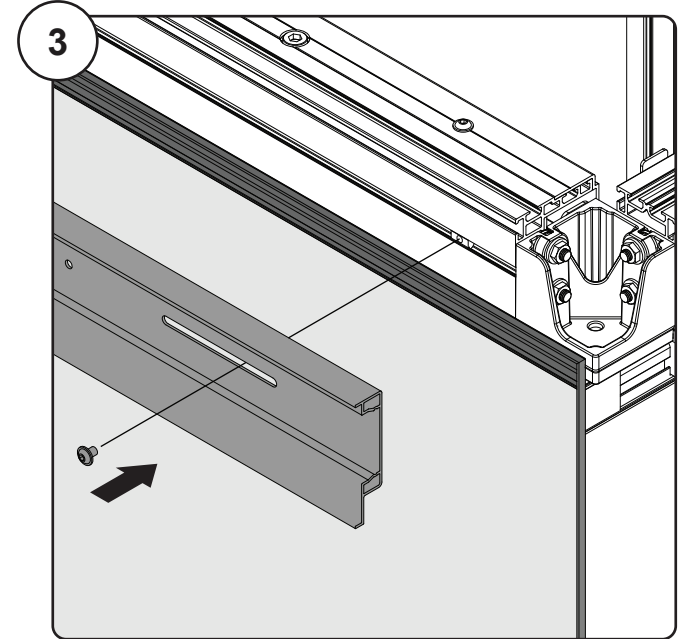
M6x8



3x
Kit 7



M4

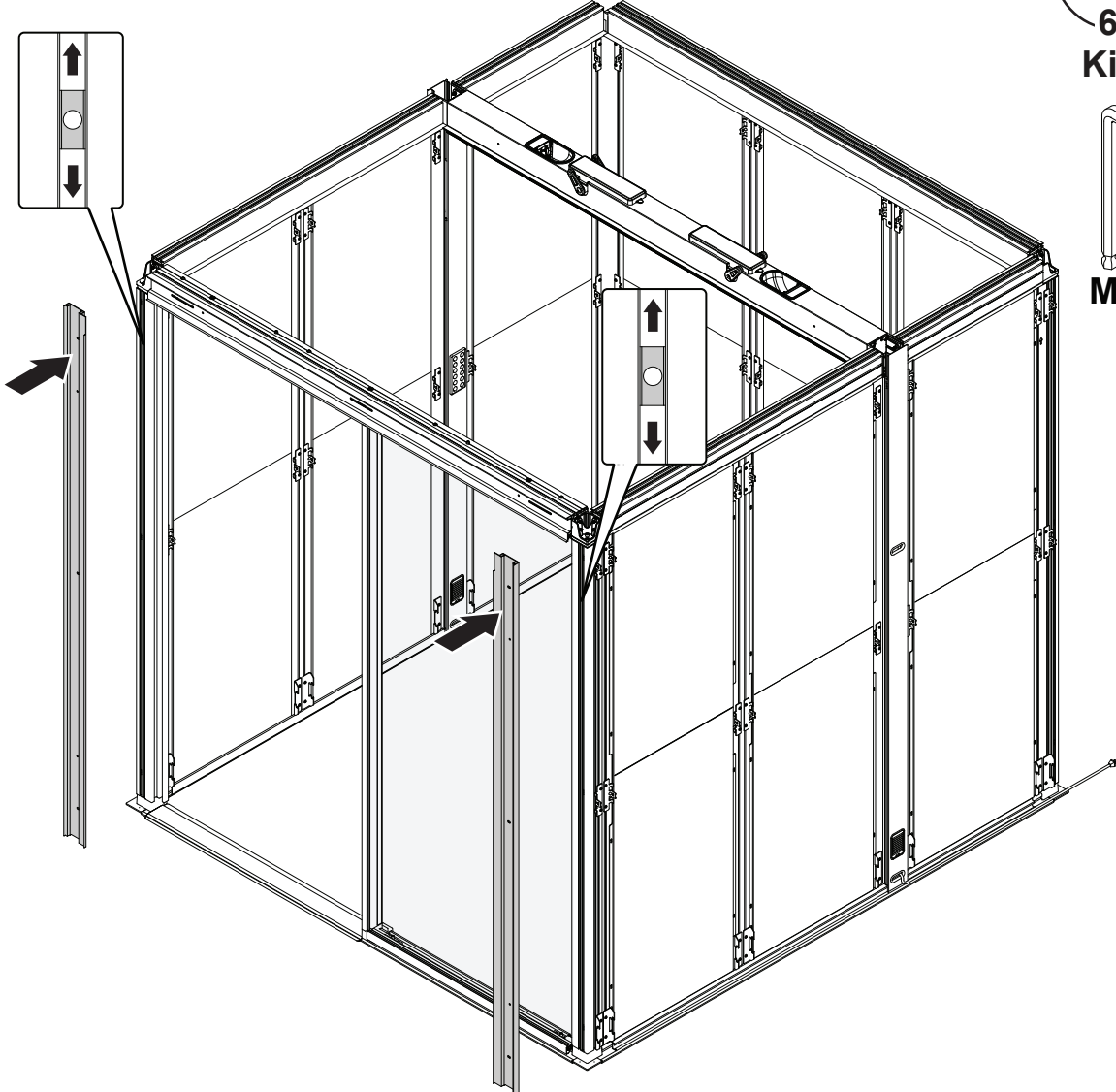


Note: Do not fully tighten screws!

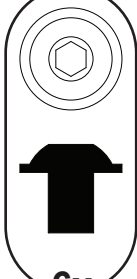


Logo on
bottom of glass

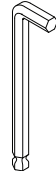
Step 7.5 Glass Assembly



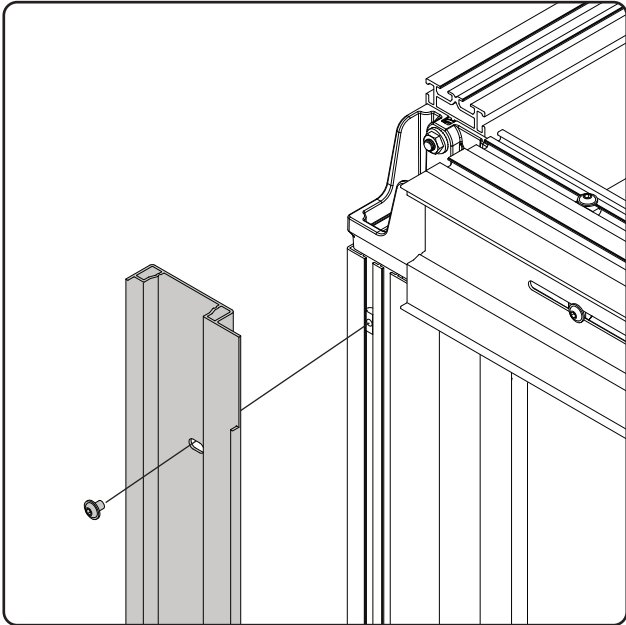
M6x8



6x
Kit 7



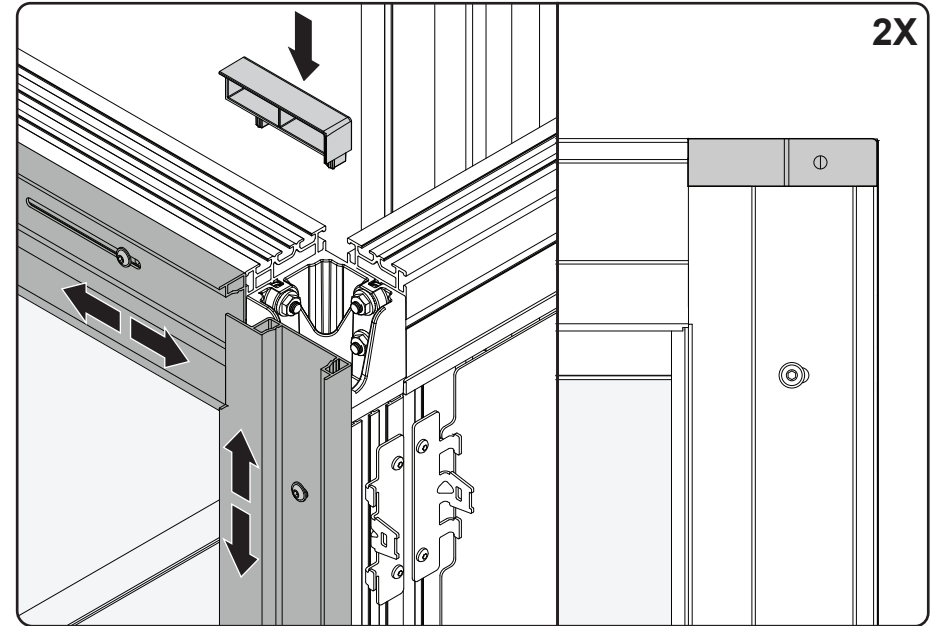
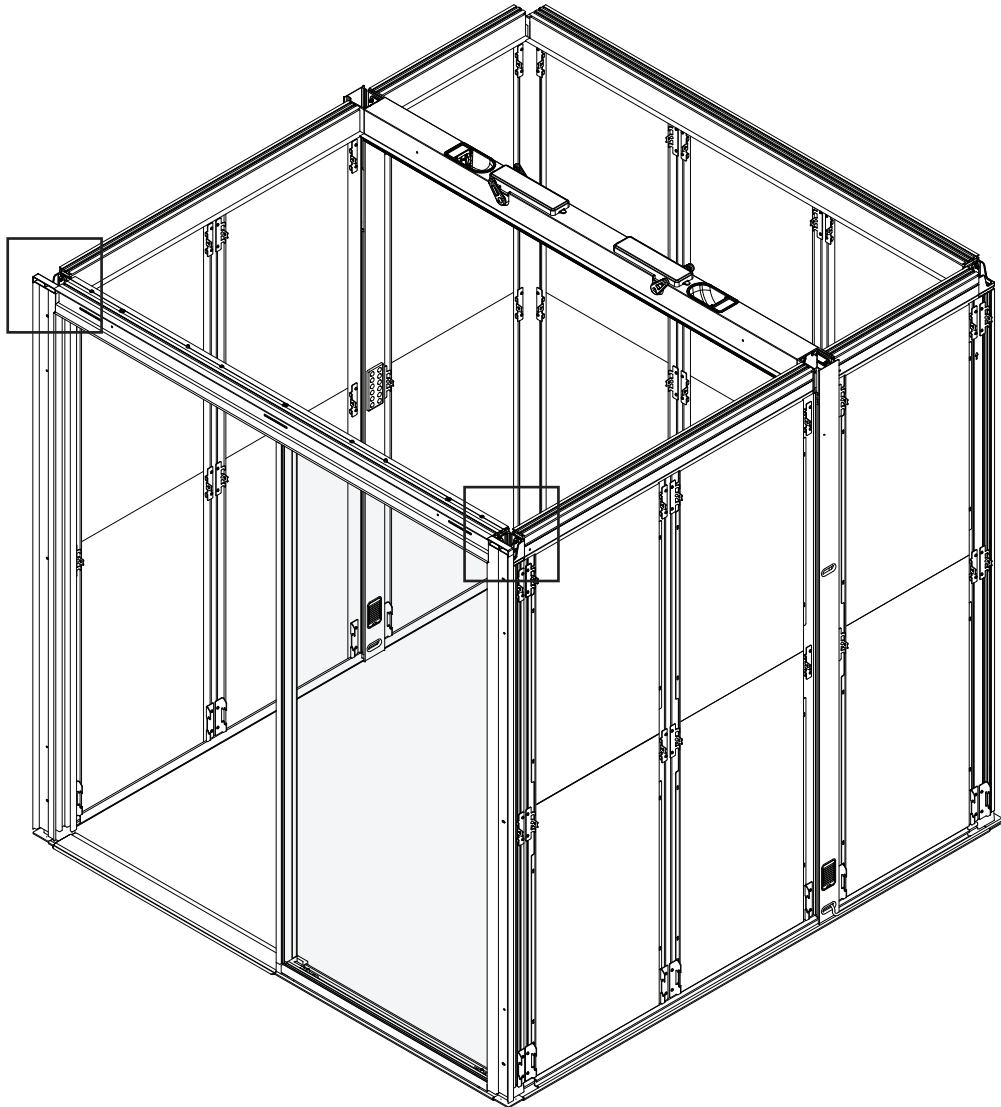
M4



Note: Do not fully tighten screws!

Step 7.6 Glass Assembly

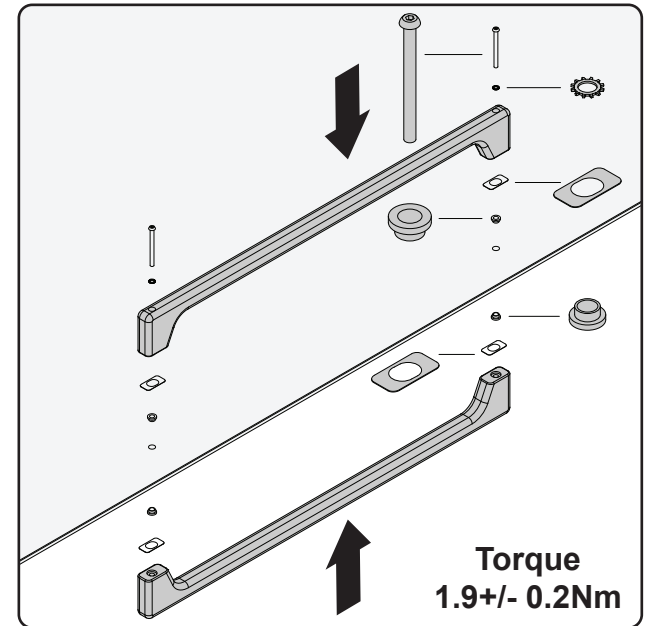
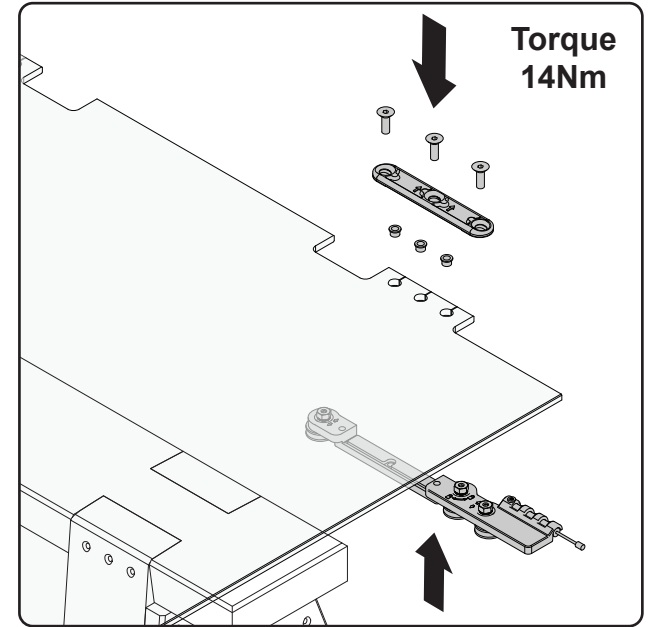
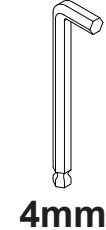
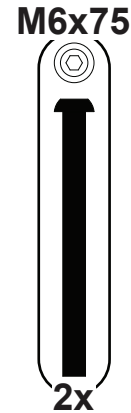
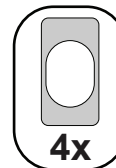
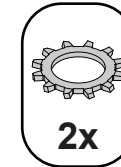
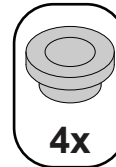
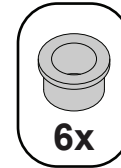
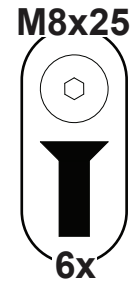
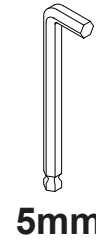
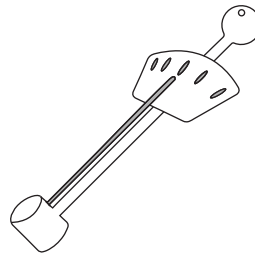
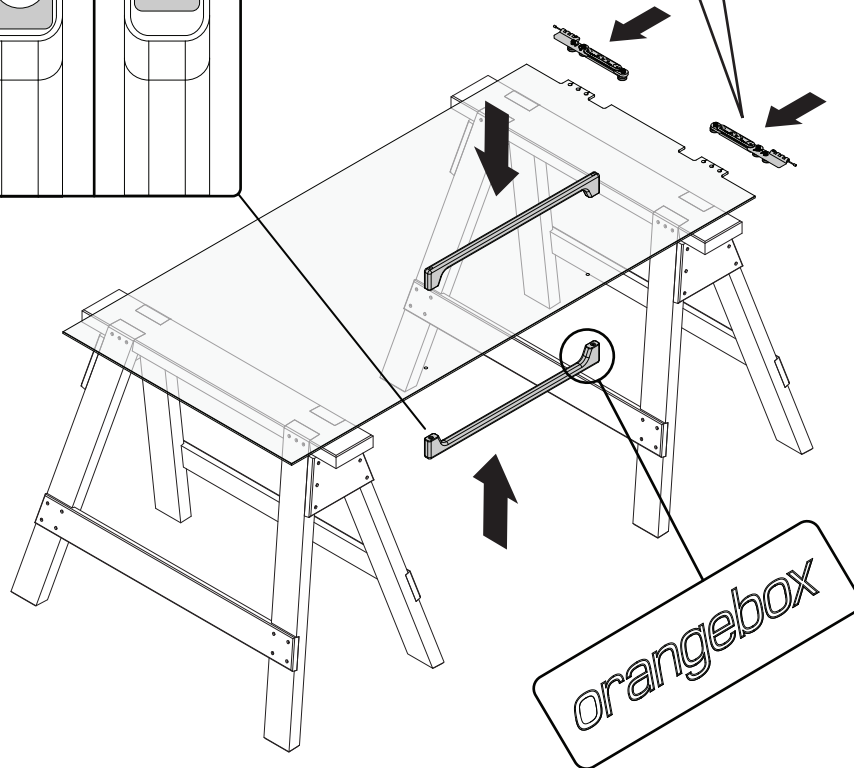
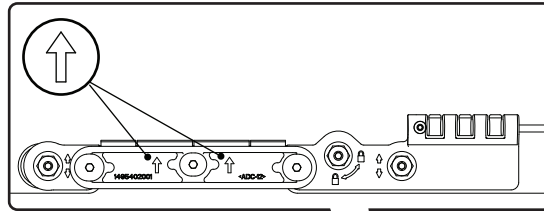
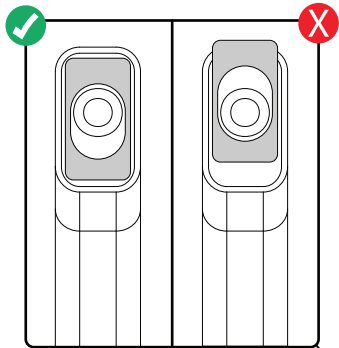
1. Slide the Fascia Holder's to make room for Corner Caps.
2. Set Fascia Holder's to be flush with Corner Caps.
3. Fully tighten Fascia Holder's screws.



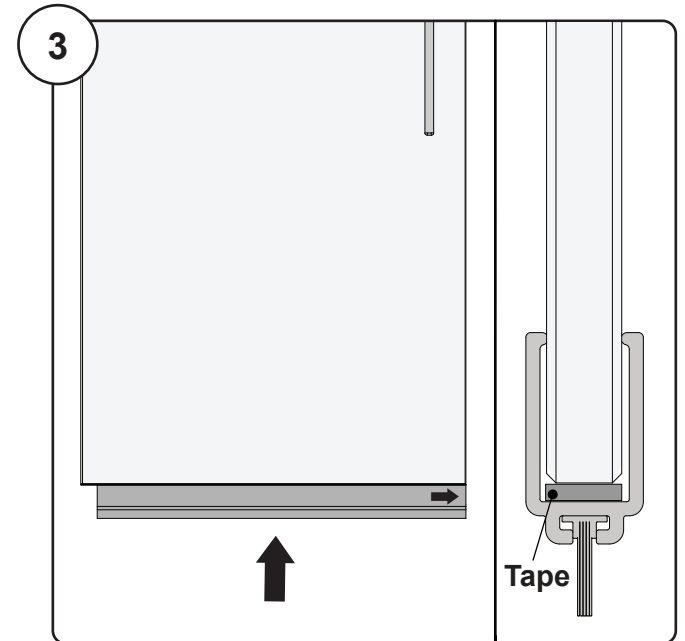
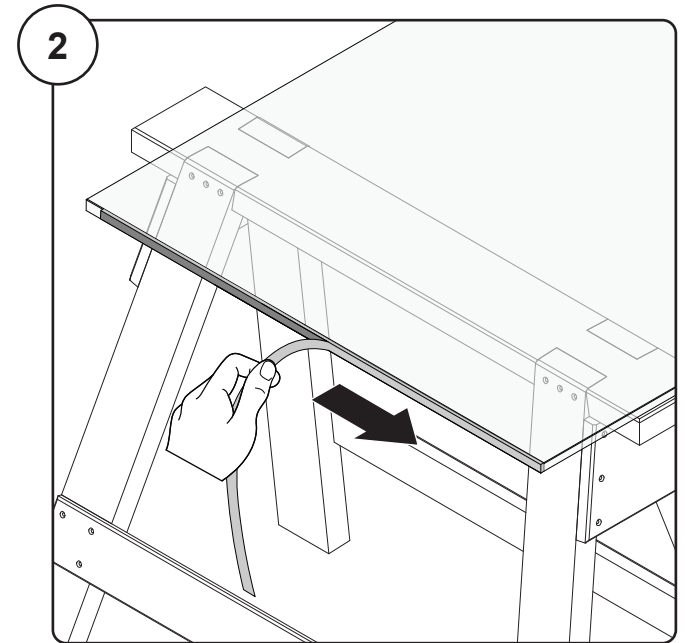
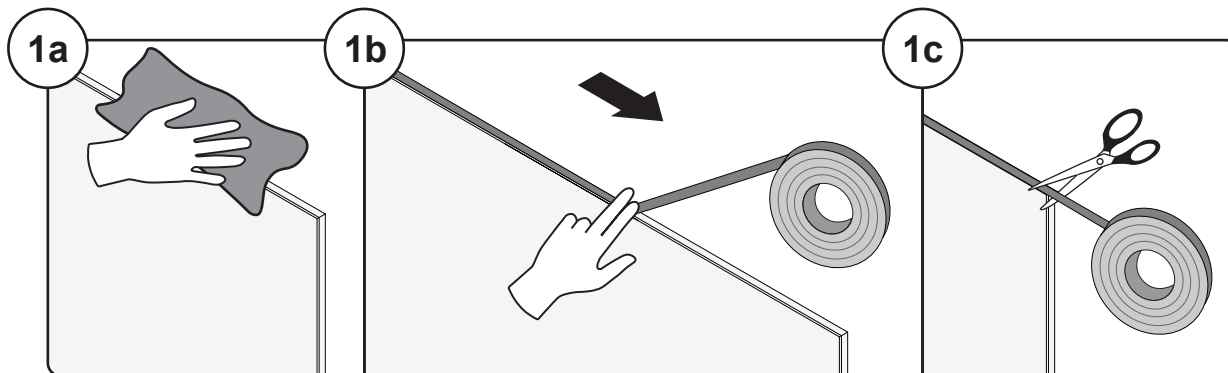
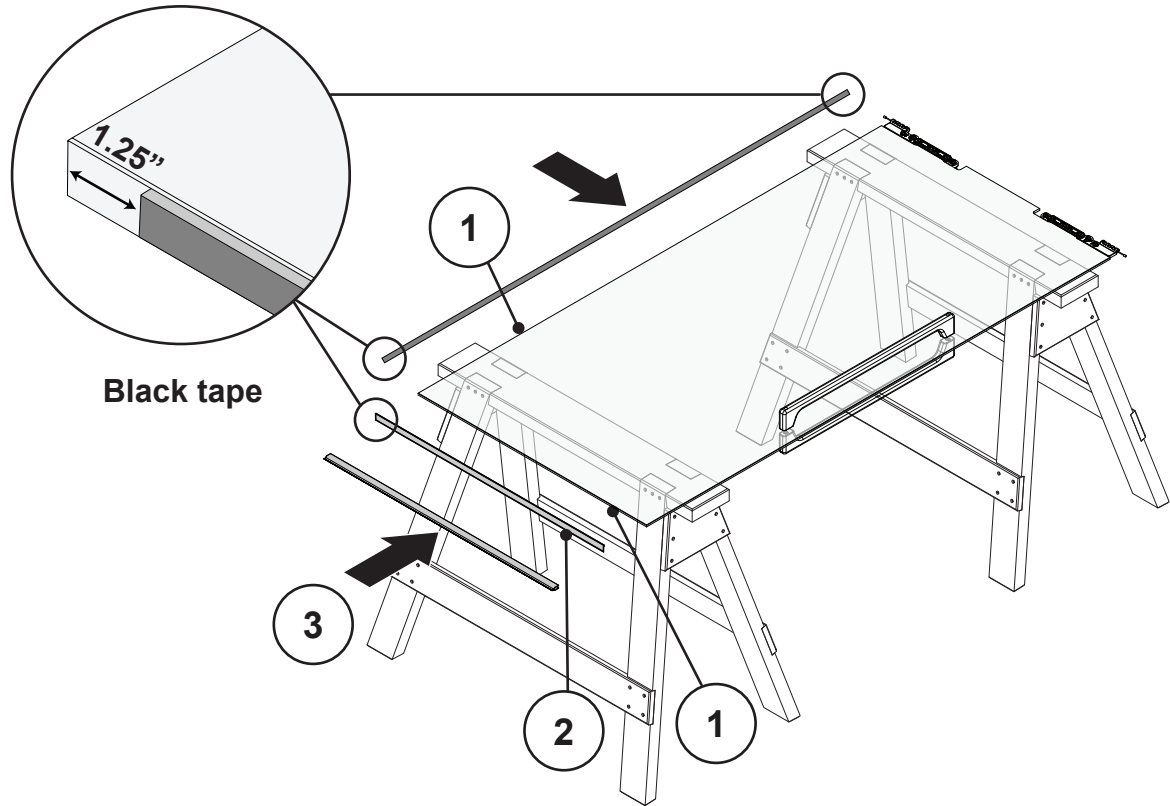
Step 8.1 Door Assembly



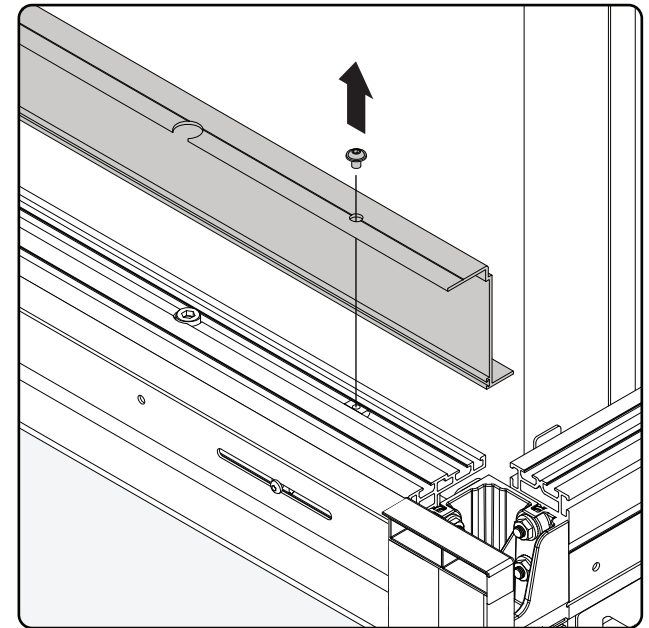
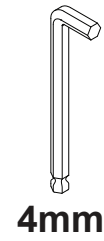
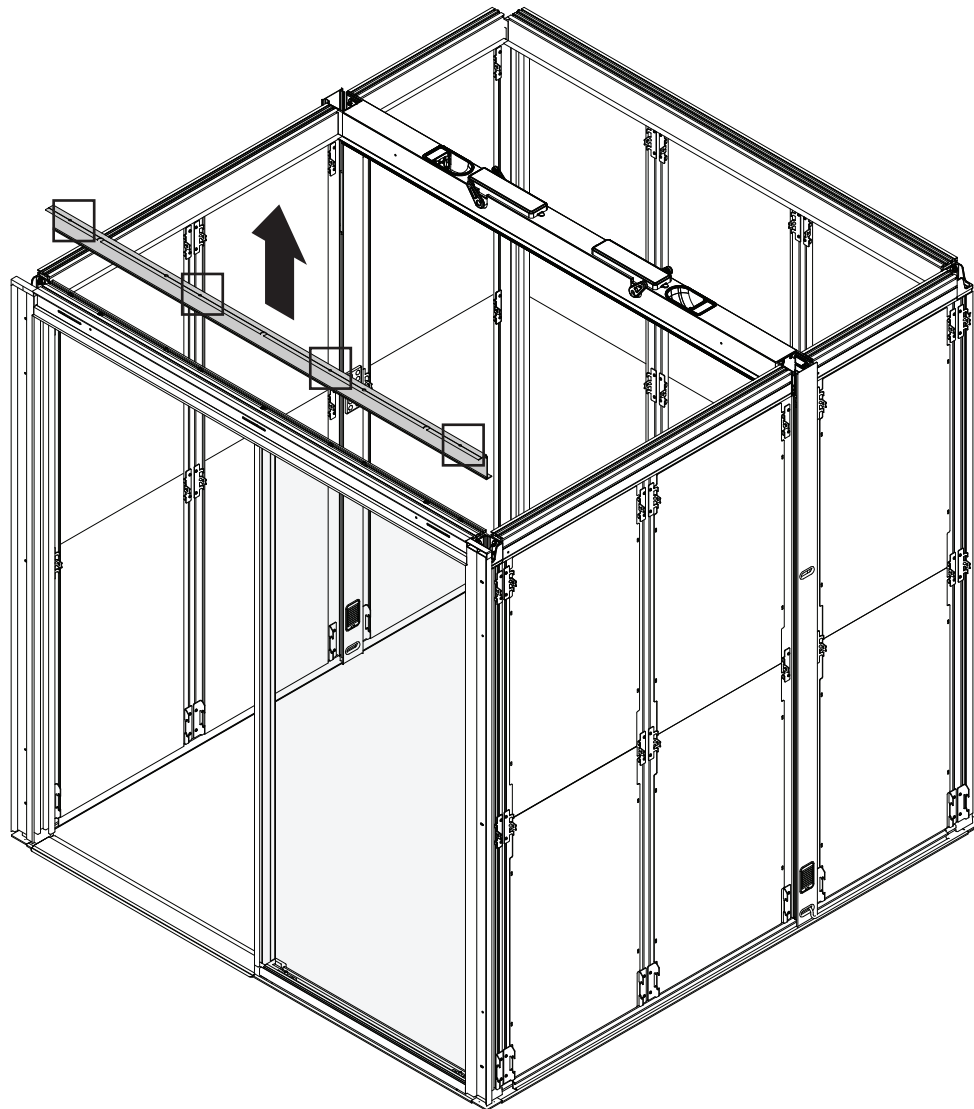
! No Power Tools !



Step 8.2 Door Assembly

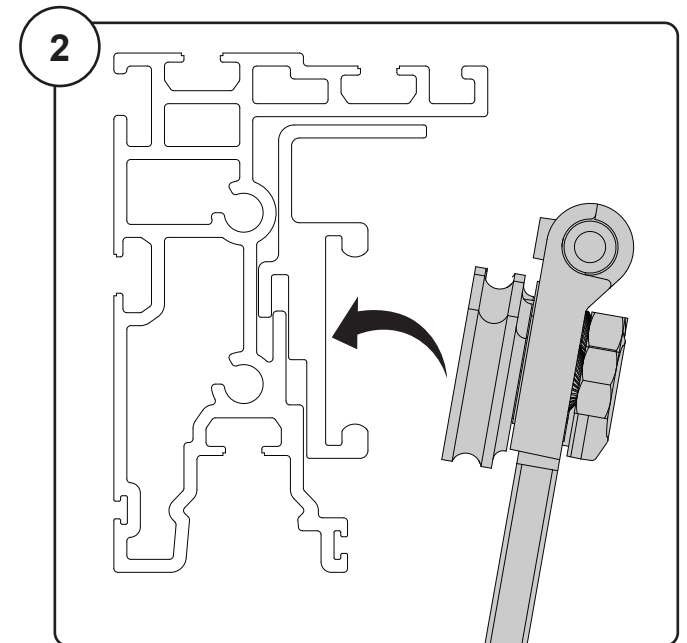
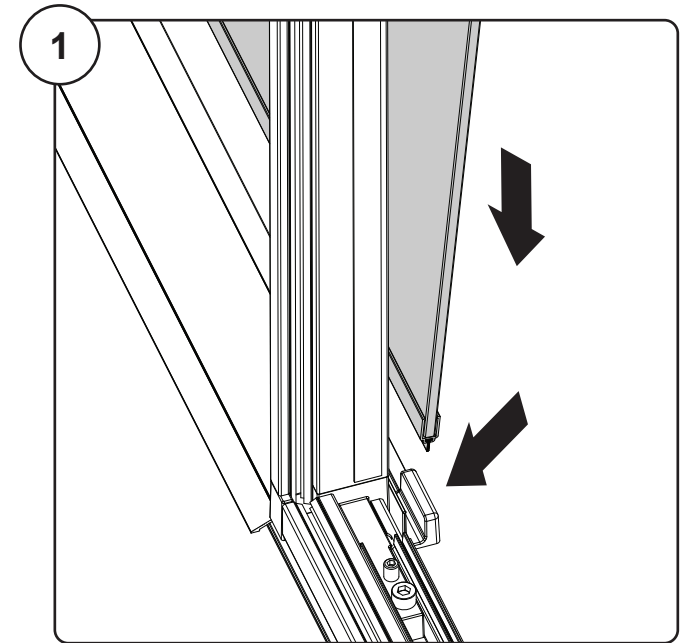
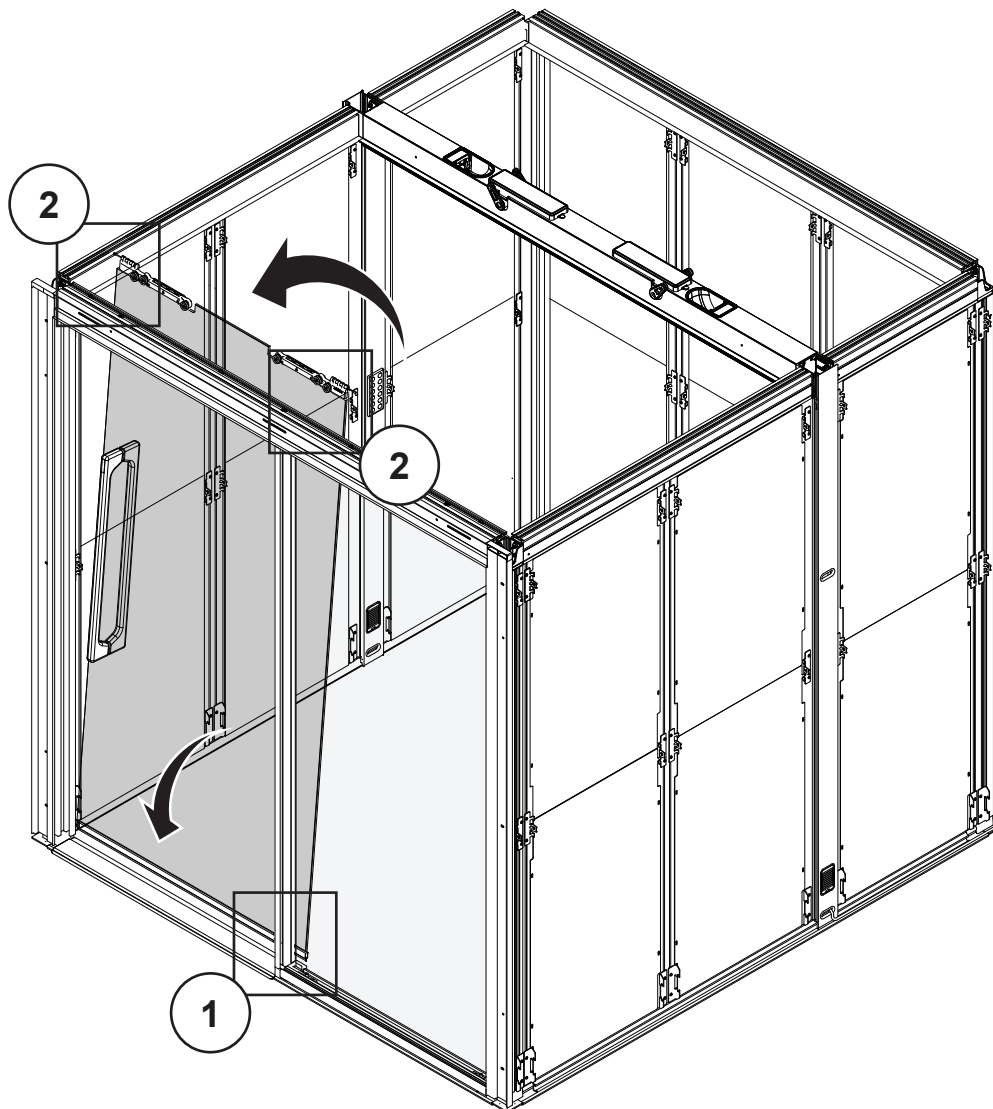


Step 8.3 Door Assembly

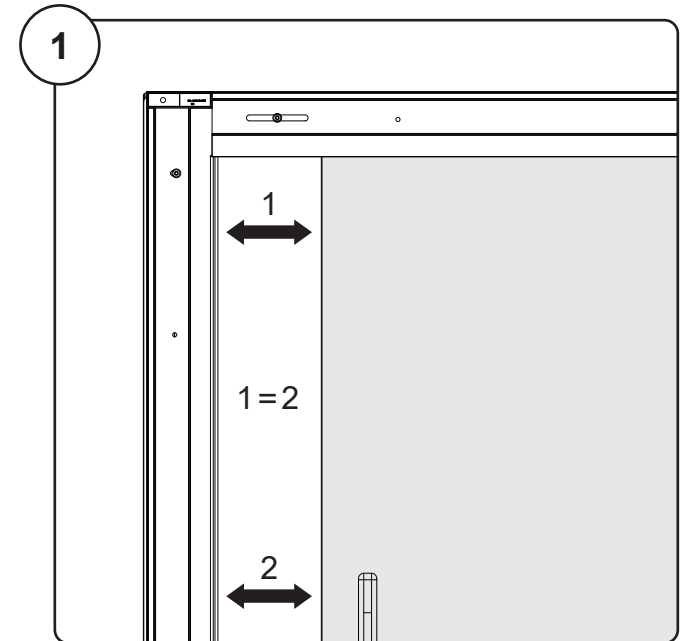
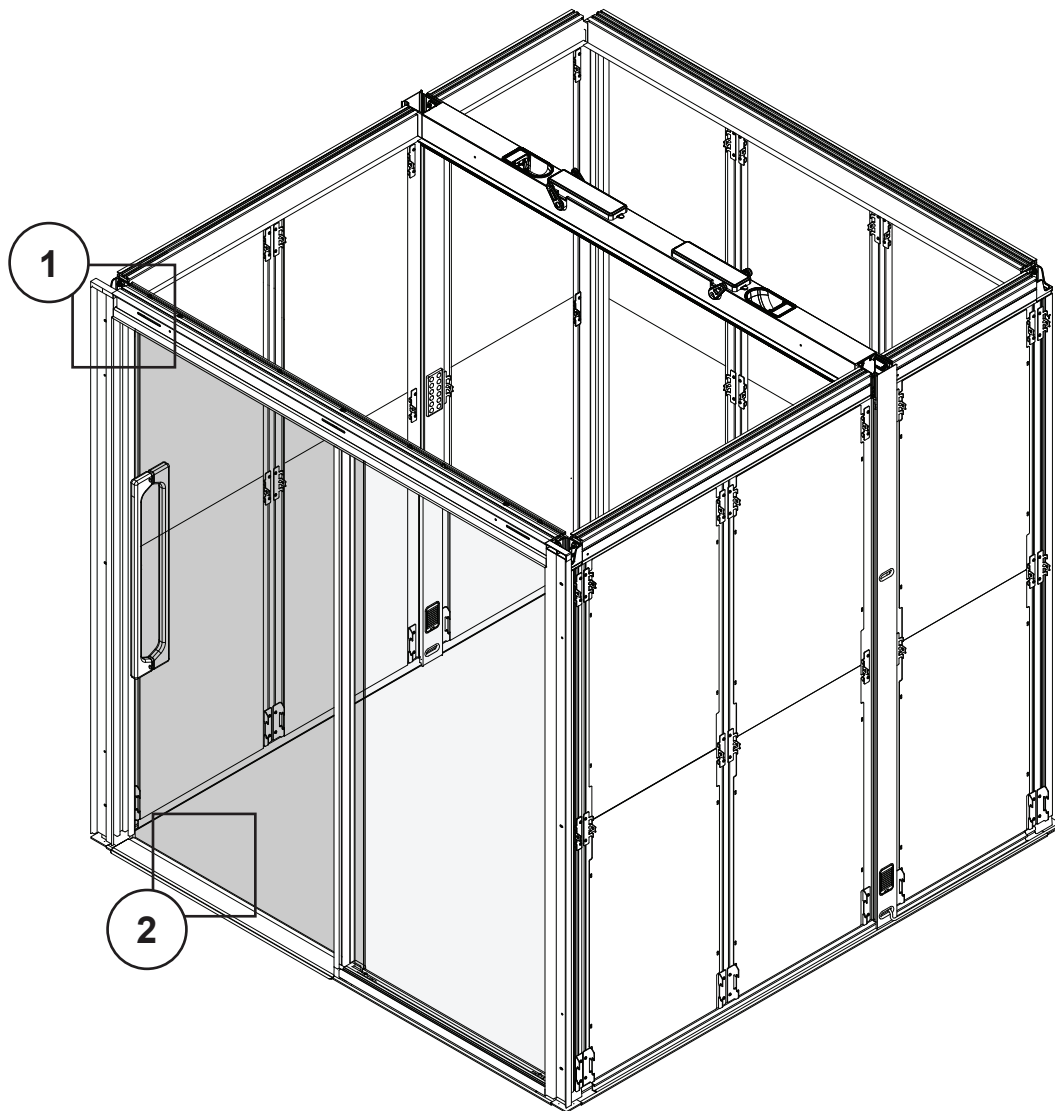


Note: Remove pre-installed top cover.

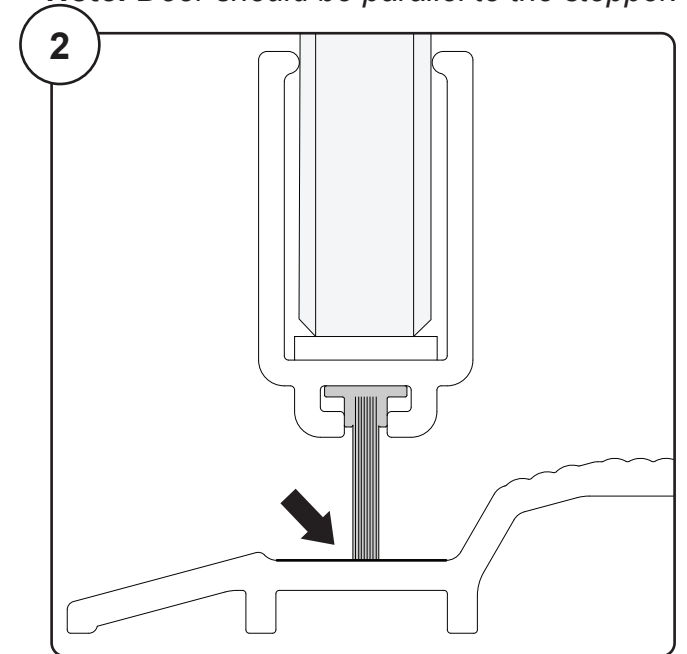
Step 8.4 Door Assembly



Step 8.5 Door Alignment

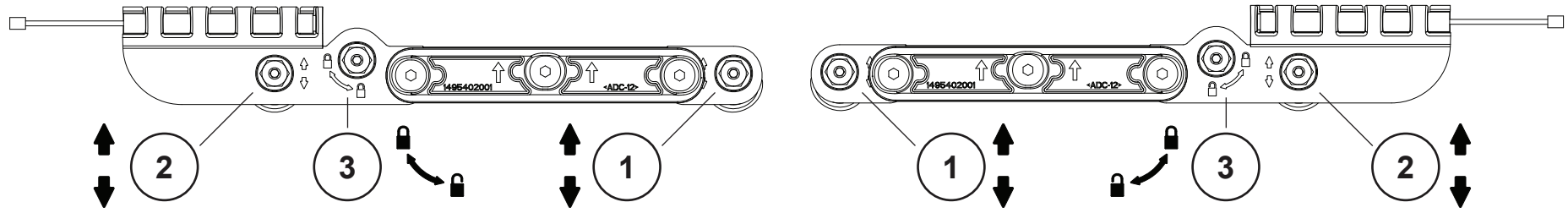


Note: Door should be parallel to the stopper.



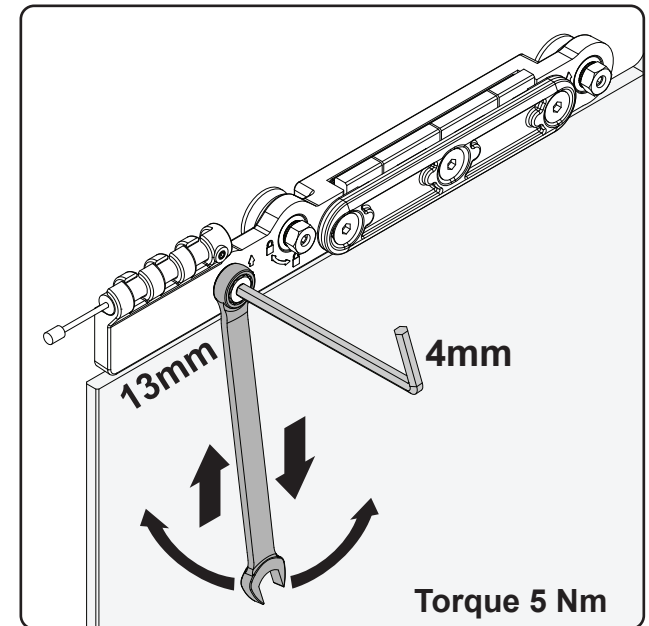
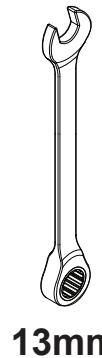
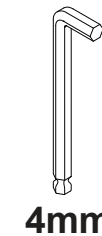
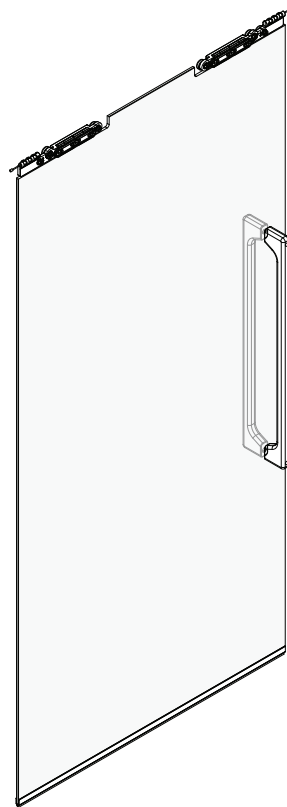
Note: Brush should barely touch the threshold.

Step 8.6 Door Alignment



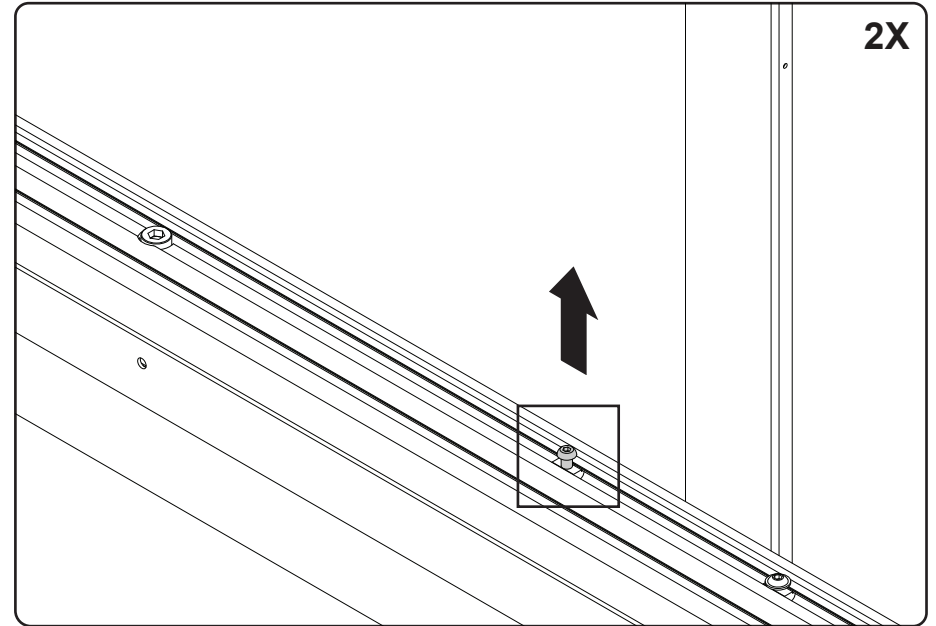
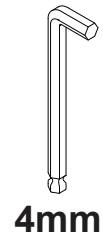
If needed, adjust the runners as instructed to tip the door up and down then lock into position ensuring the door is straight and runs smoothly.

1. Adjust the 2 outer wheels firstly to set position and angle of door.
 2. Adjust the 2 inner wheels secondly to support position of runners.
 3. Adjust the 2 locking wheels thirdly to ensure runners cannot come off the track.
- Do not fully tighten against extrusion as this will prevent the door from moving.
Leave approx 1mm gap between wheel and track.

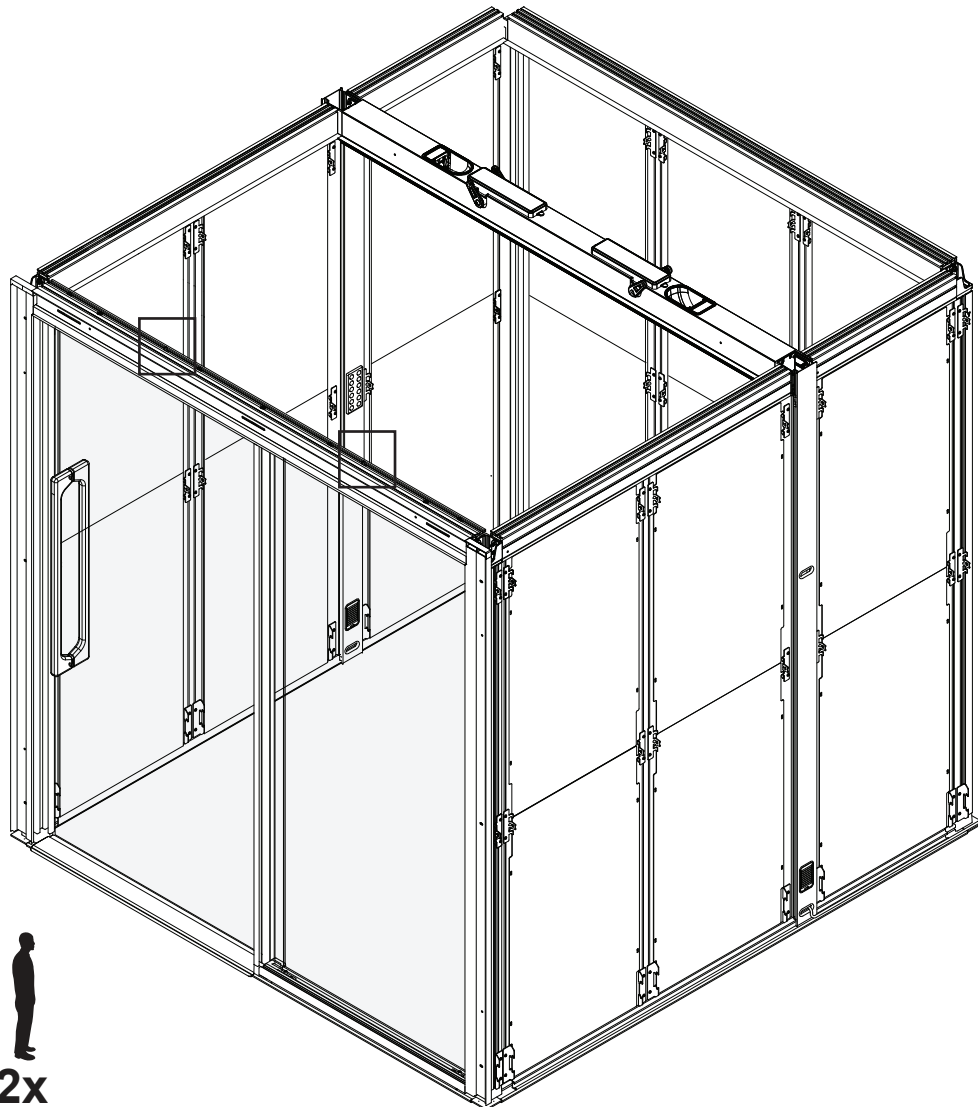


orangebox

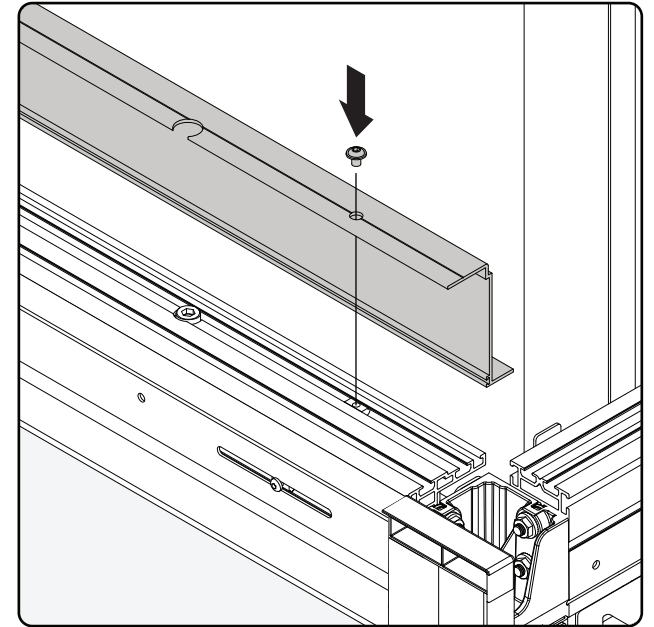
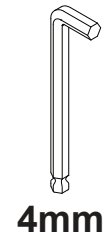
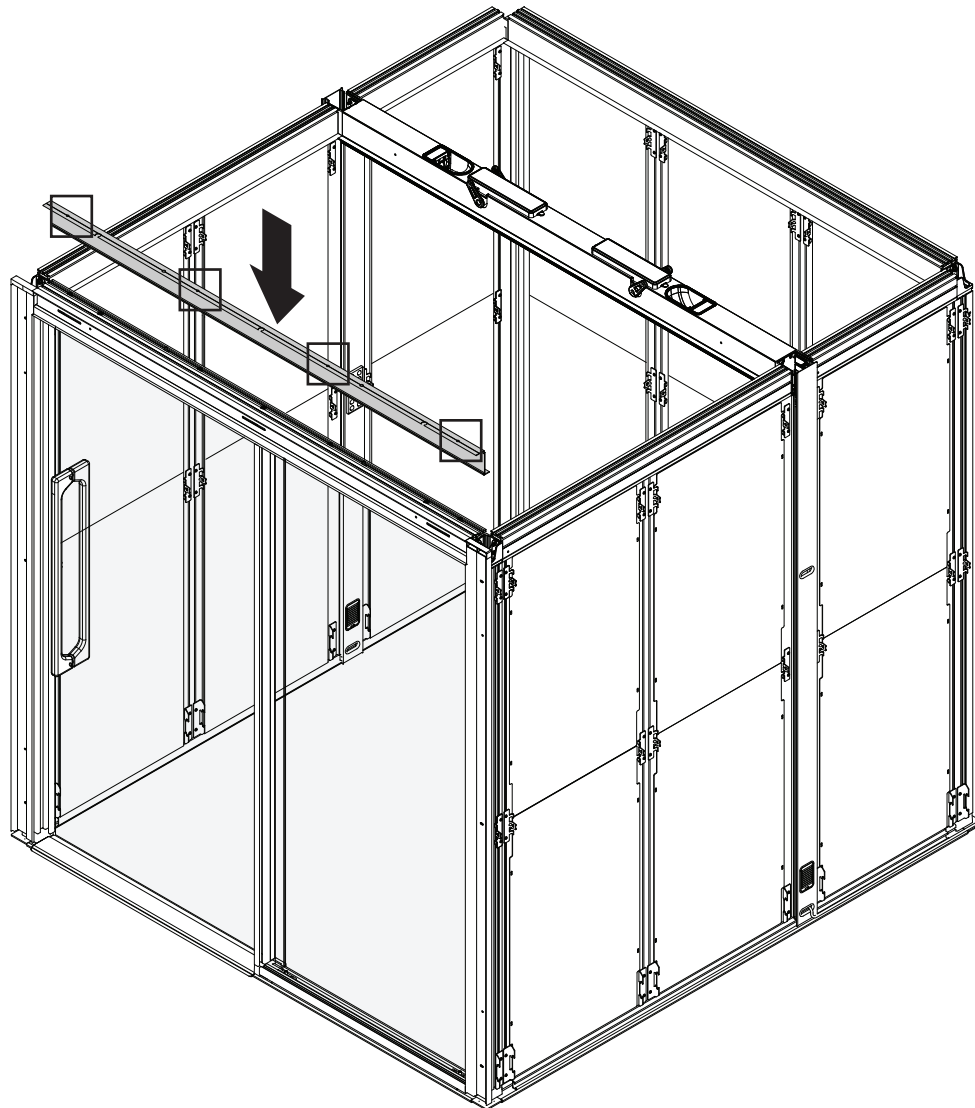
Step 8.7 Door Alignment



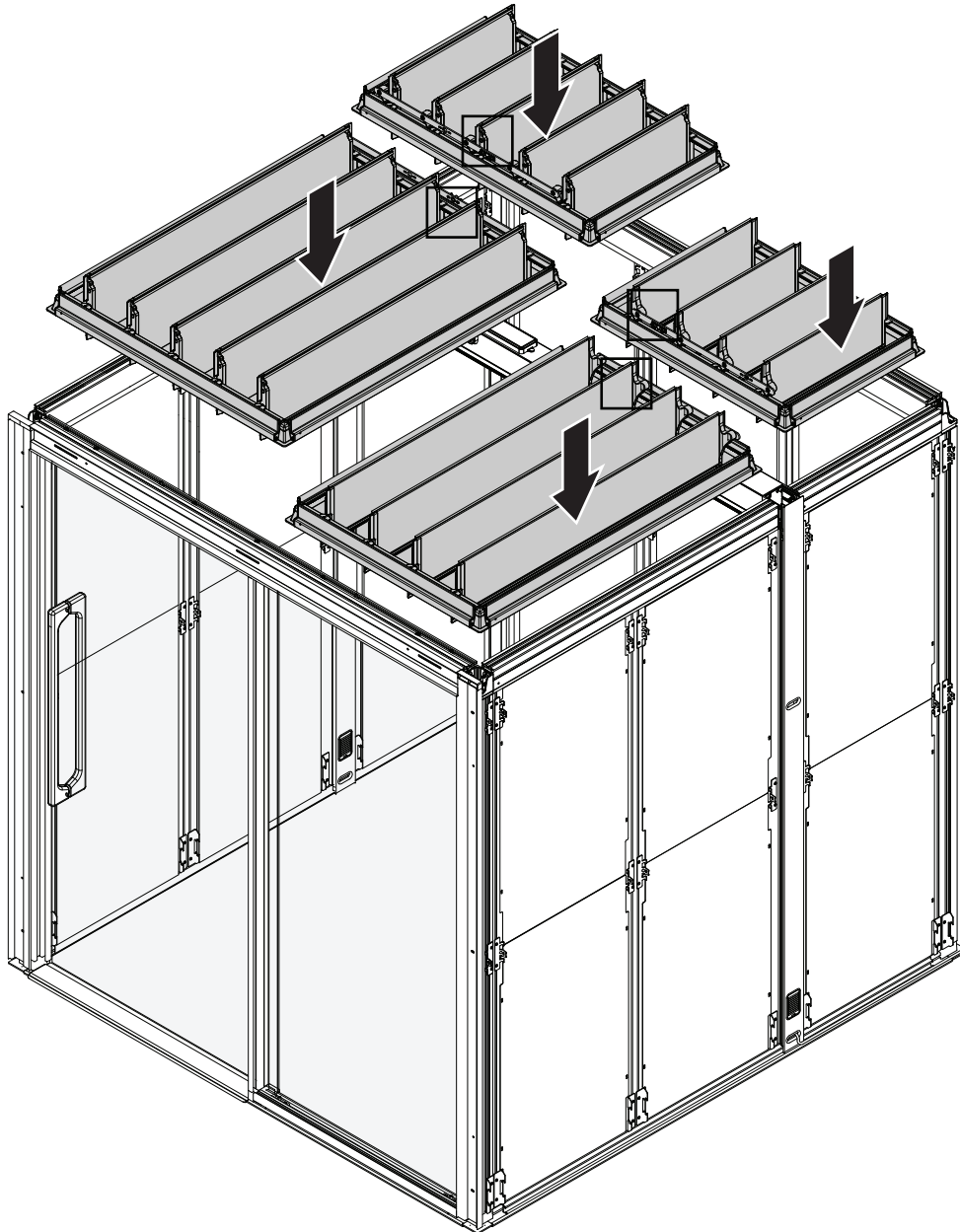
Note: Unlock top rail, loosen 2x screws.



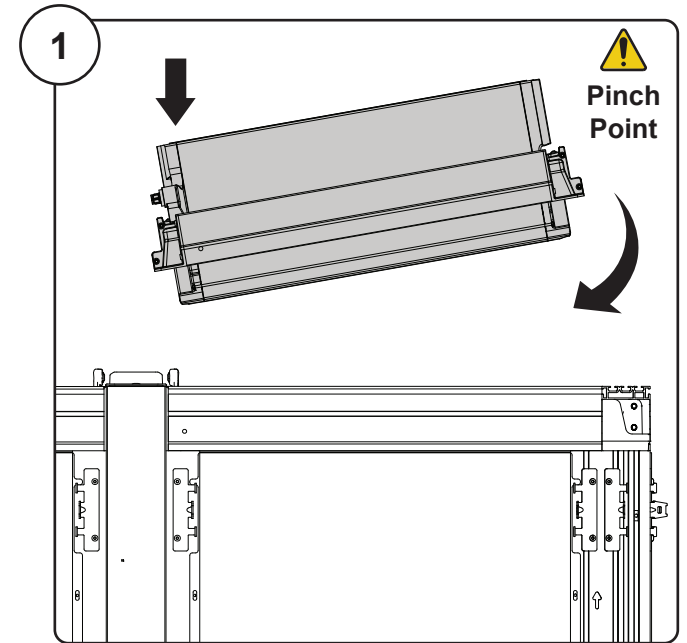
Step 8.8 Door Assembly



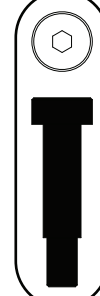
Step 9.1 Roof Assembly



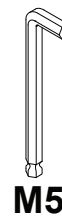
2x



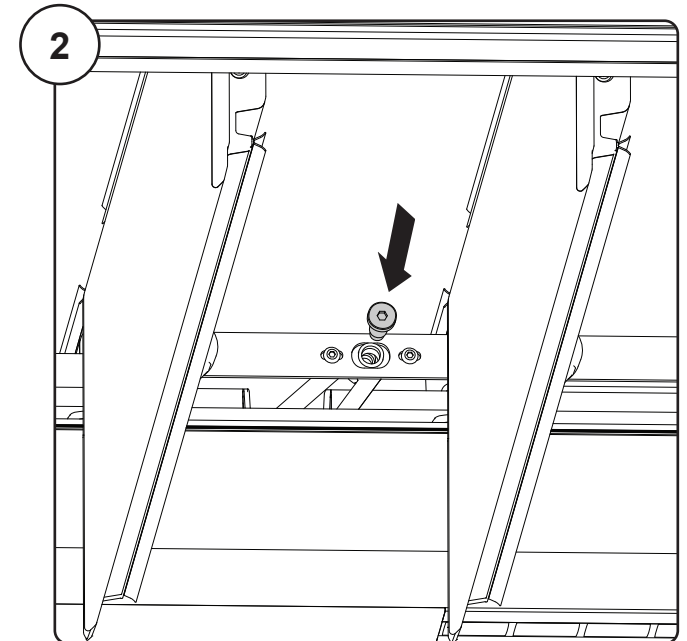
M8x30



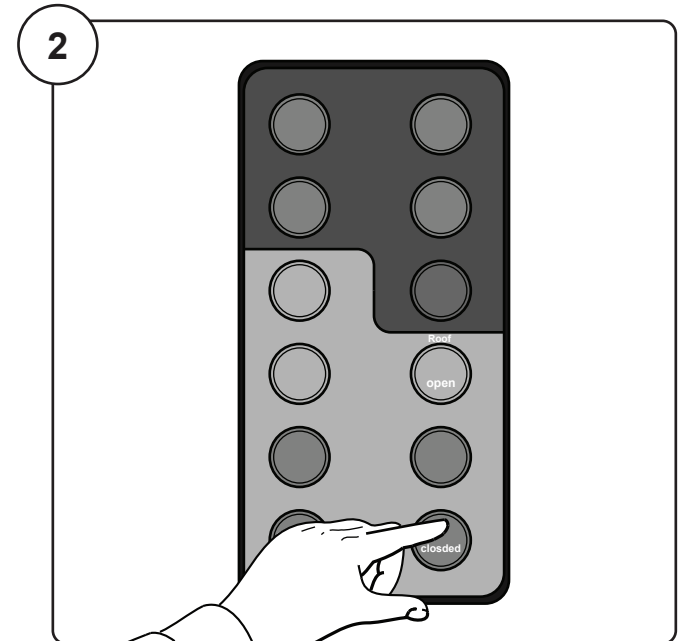
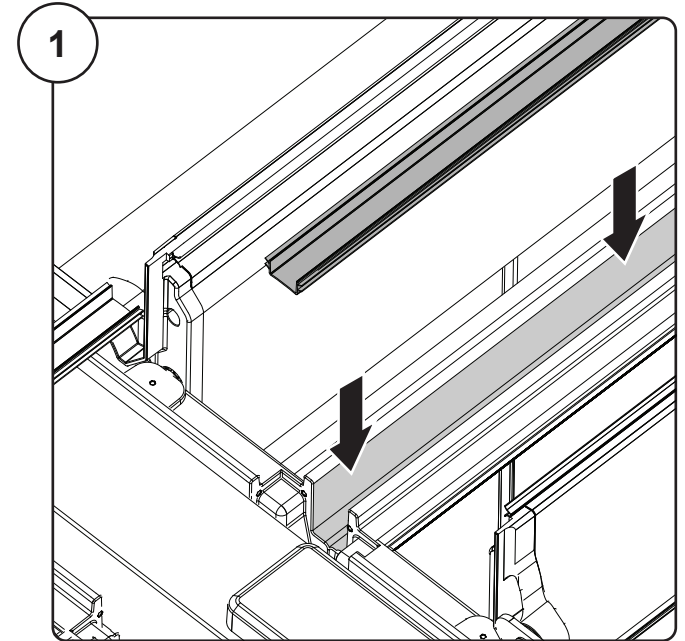
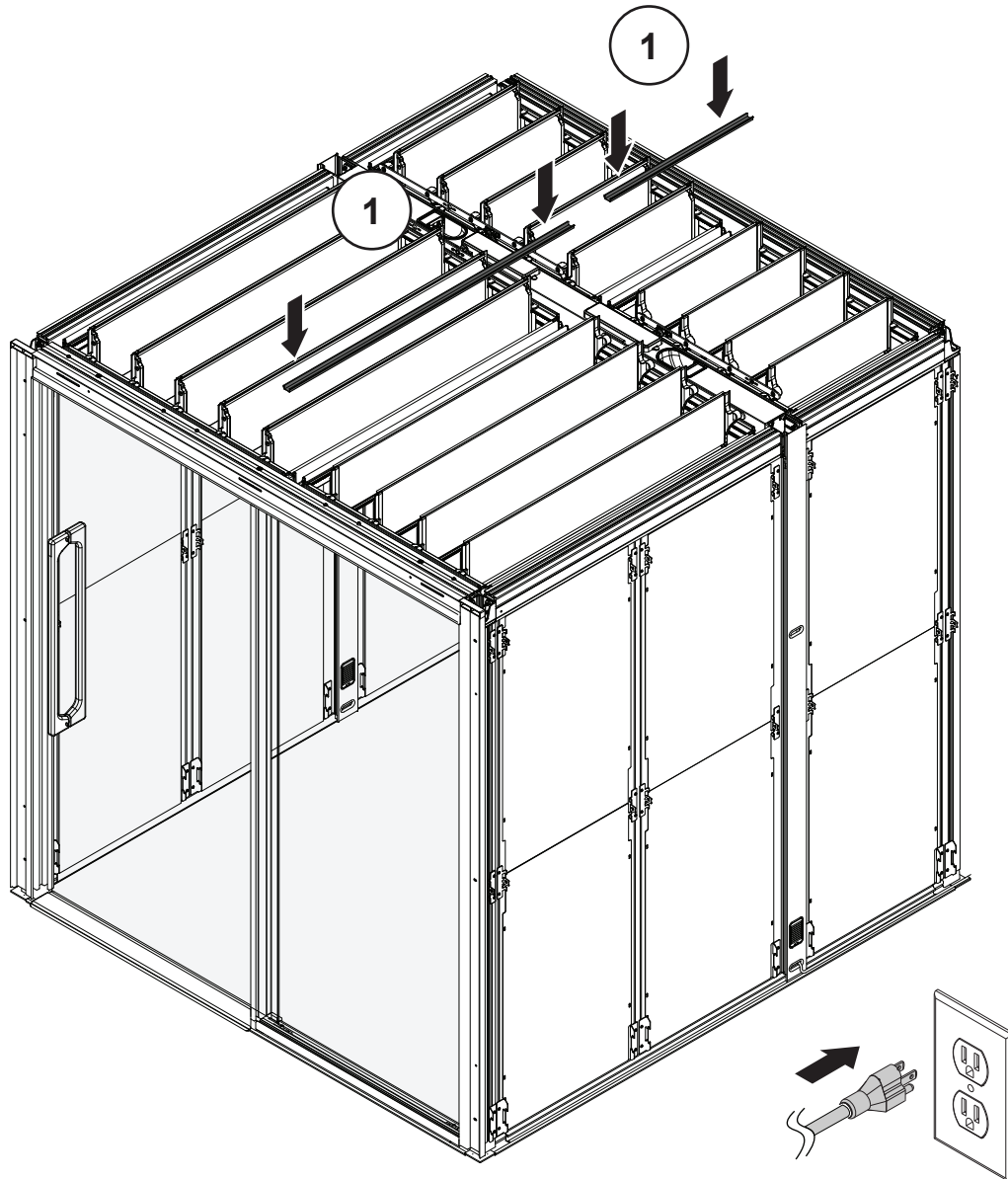
4x
Kit 9



M5



Step 9.2 Roof Assembly



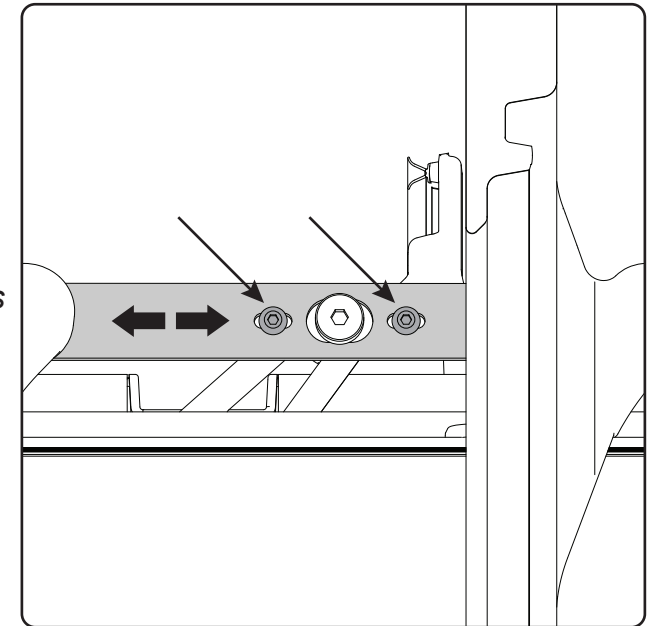
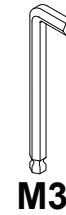
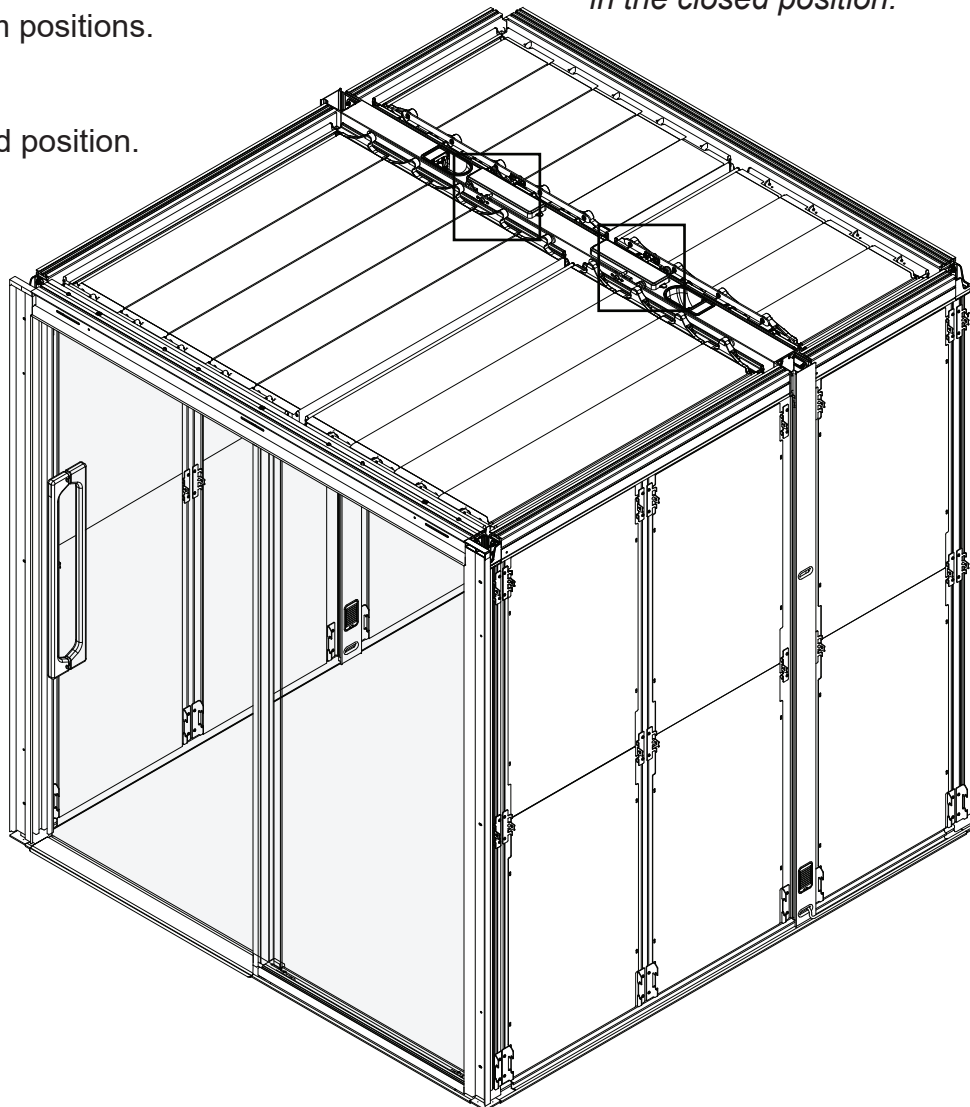
Note: Wait 30s after powering the unit.

Step 9.3 Roof Alignment

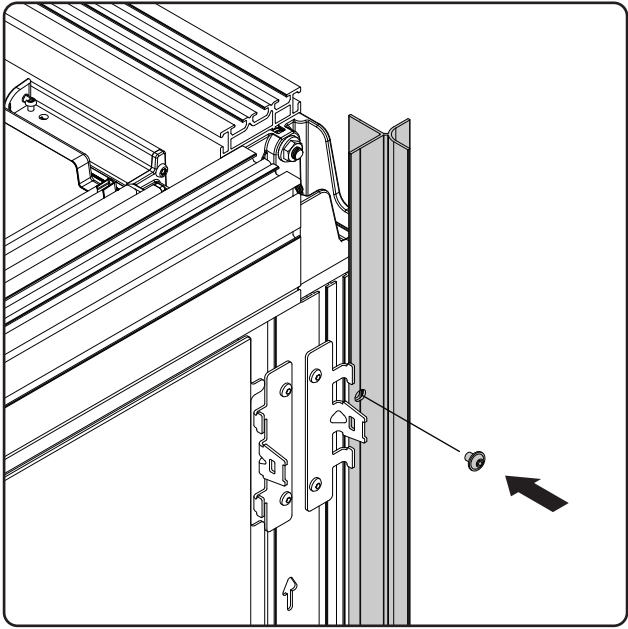
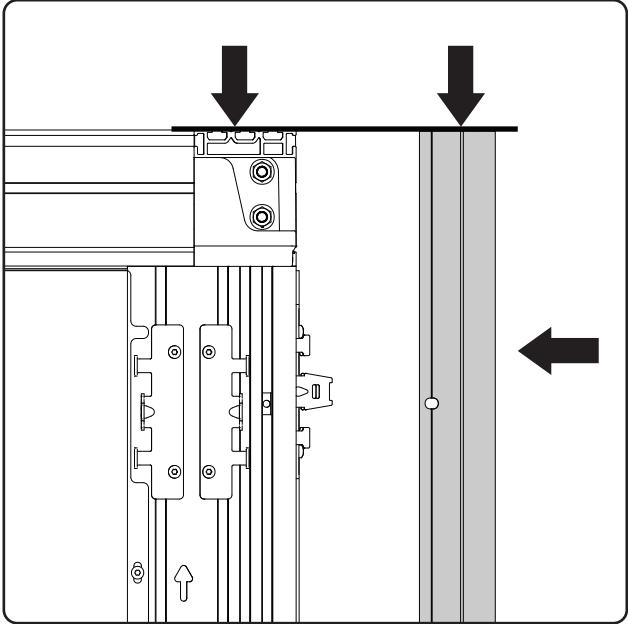
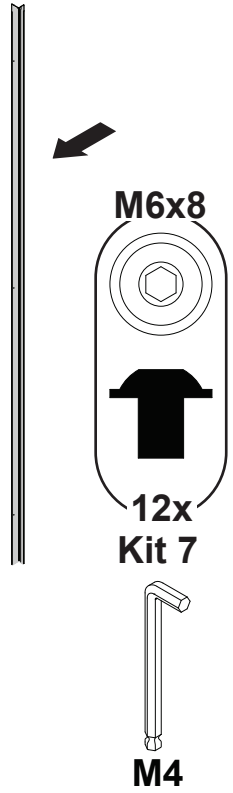
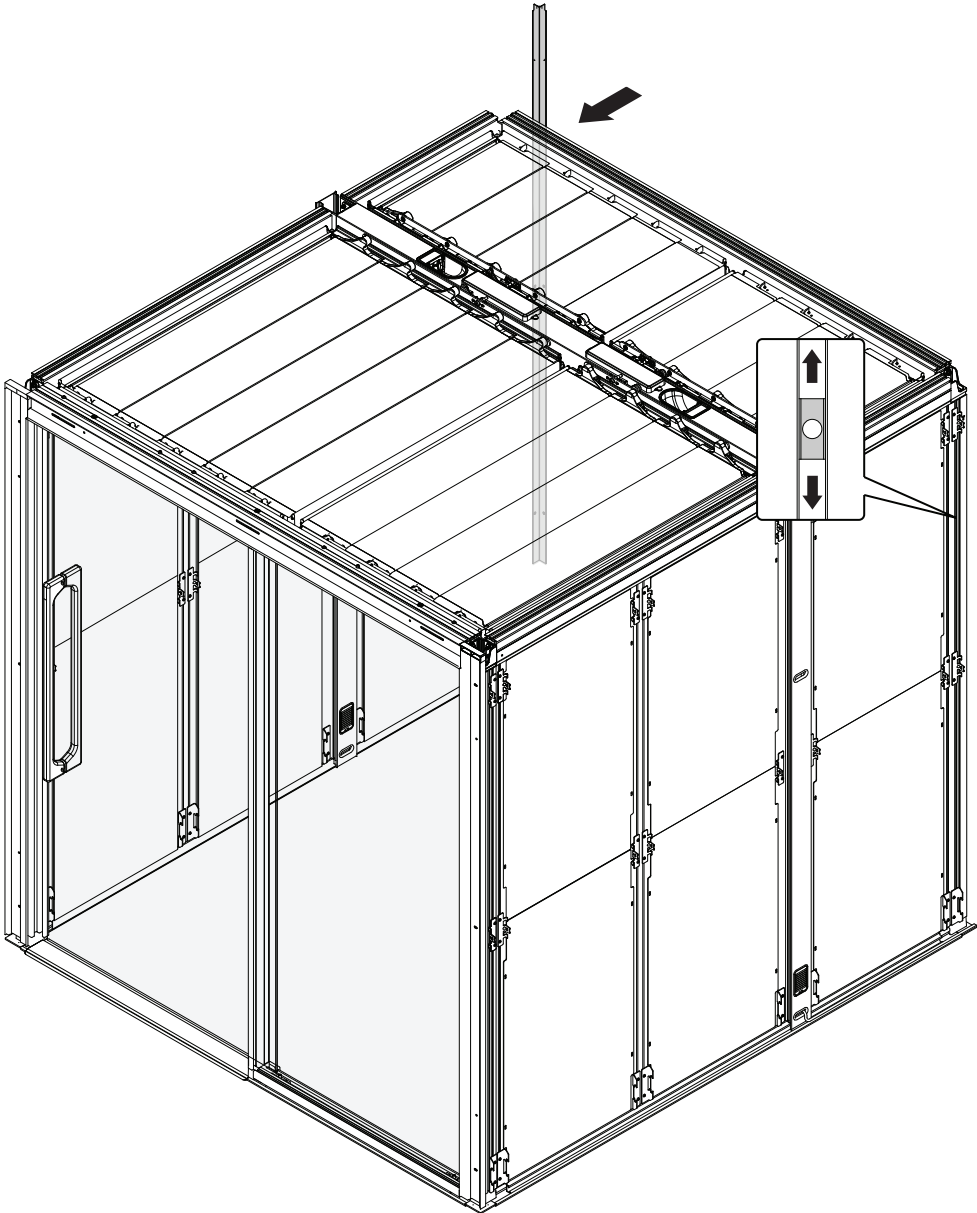
If adjustments needed:

1. Open roof.
2. Loosen screws.
3. Adjust louver arm positions.
4. Tighten screws.
5. Close roof.
6. Verify fit in closed position.

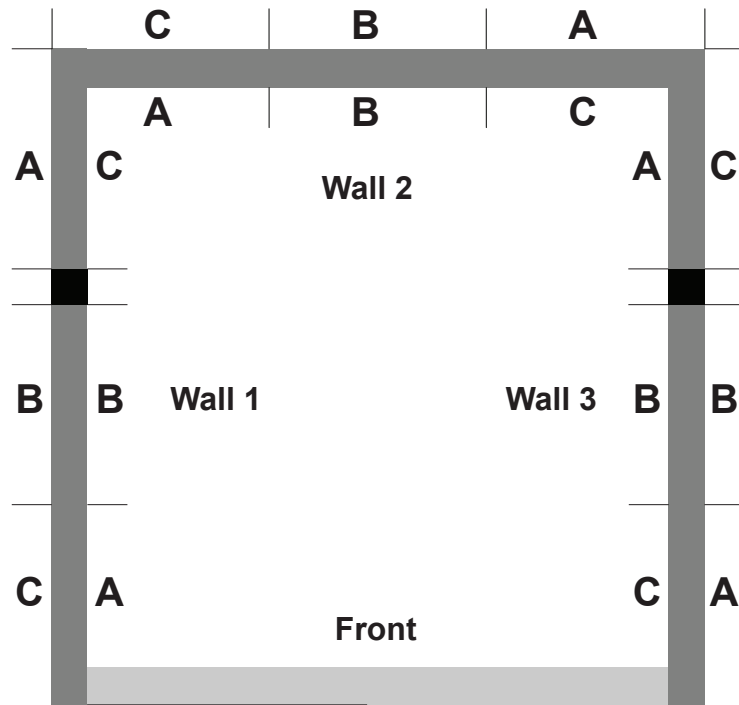
Note: Check for proper fit of roof blades
in the closed position.



Step 10.1 Fascia Assembly

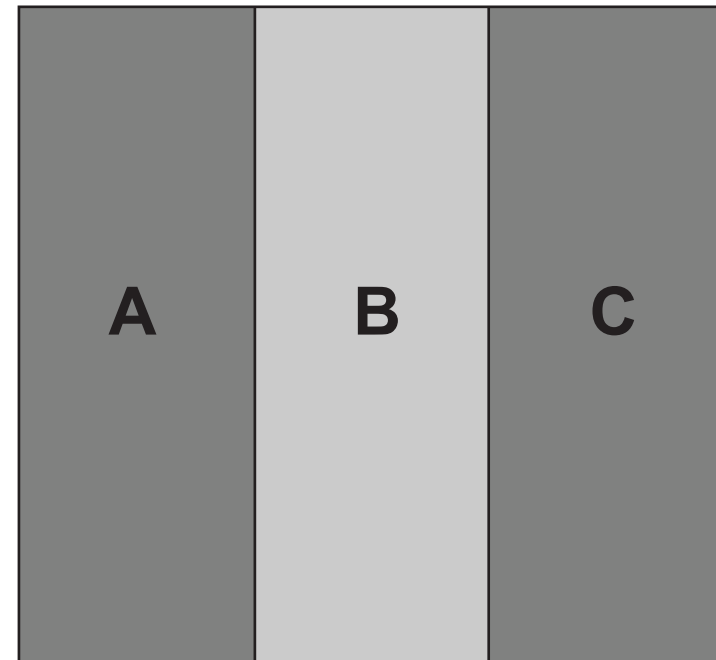


Wall and Panel Position



Wall and panel positions always start from the left.

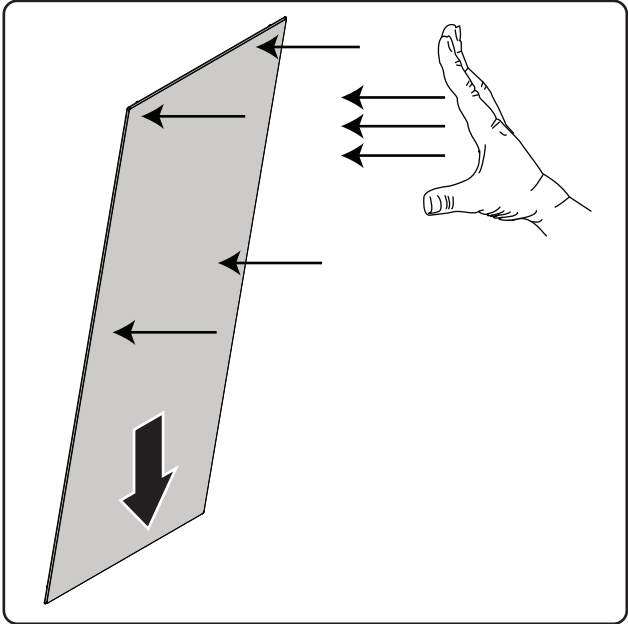
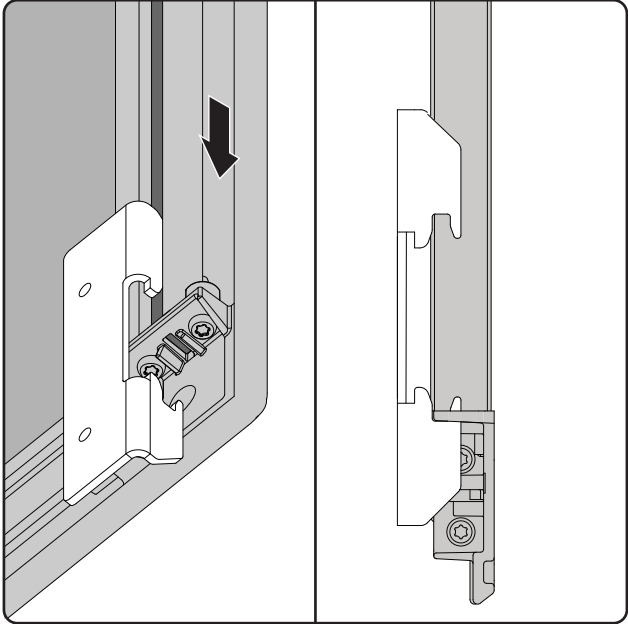
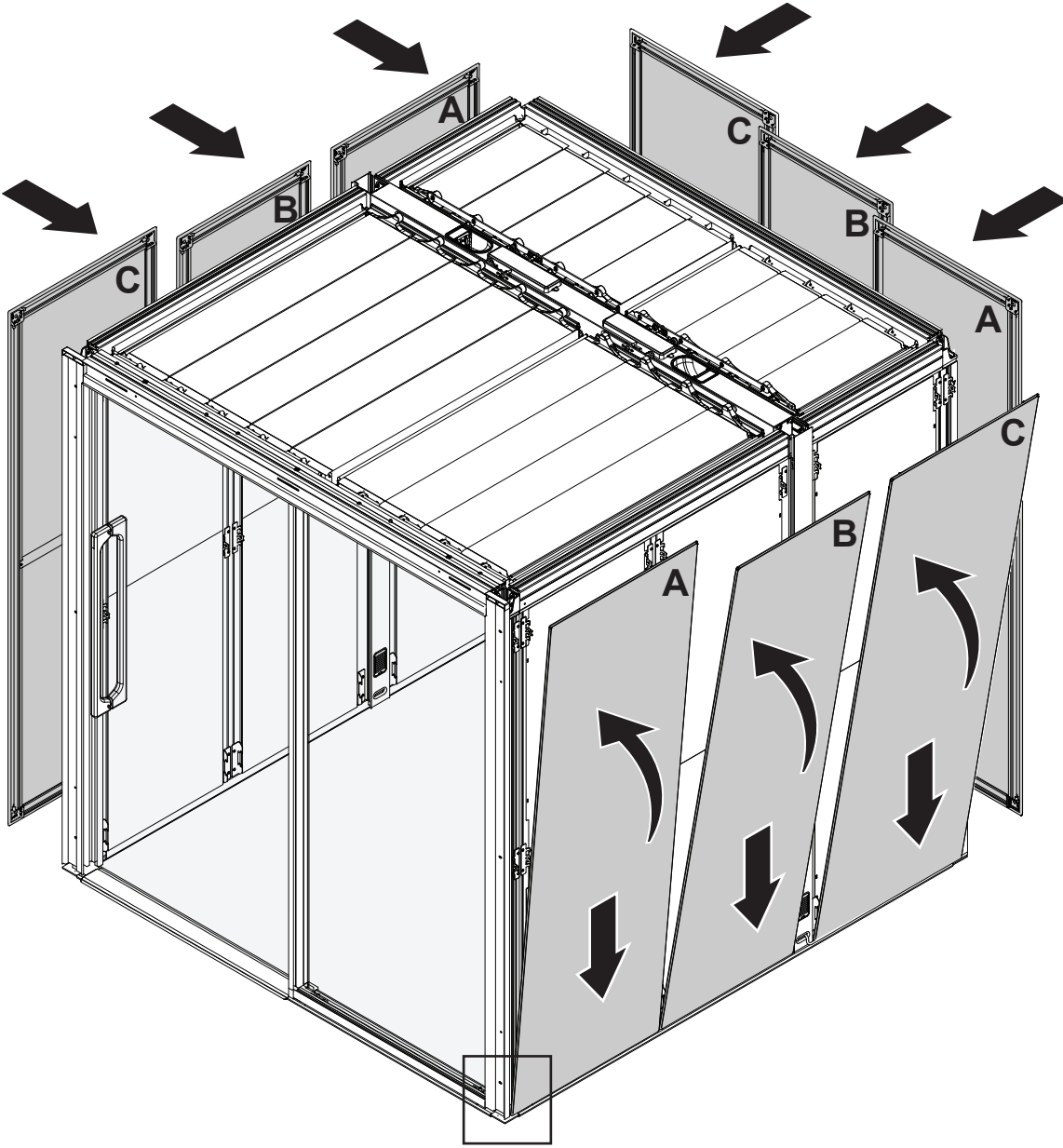
Vertical Panels



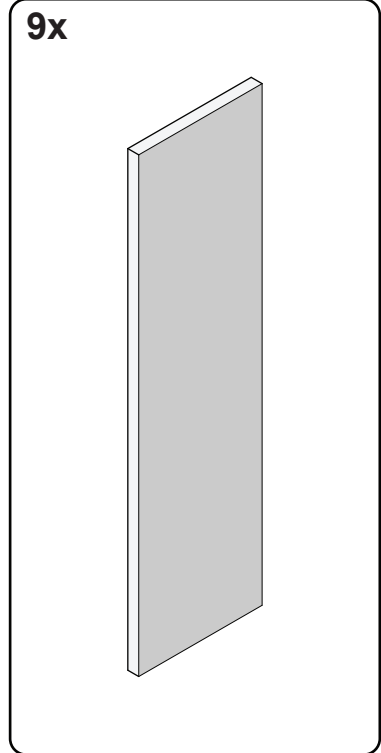
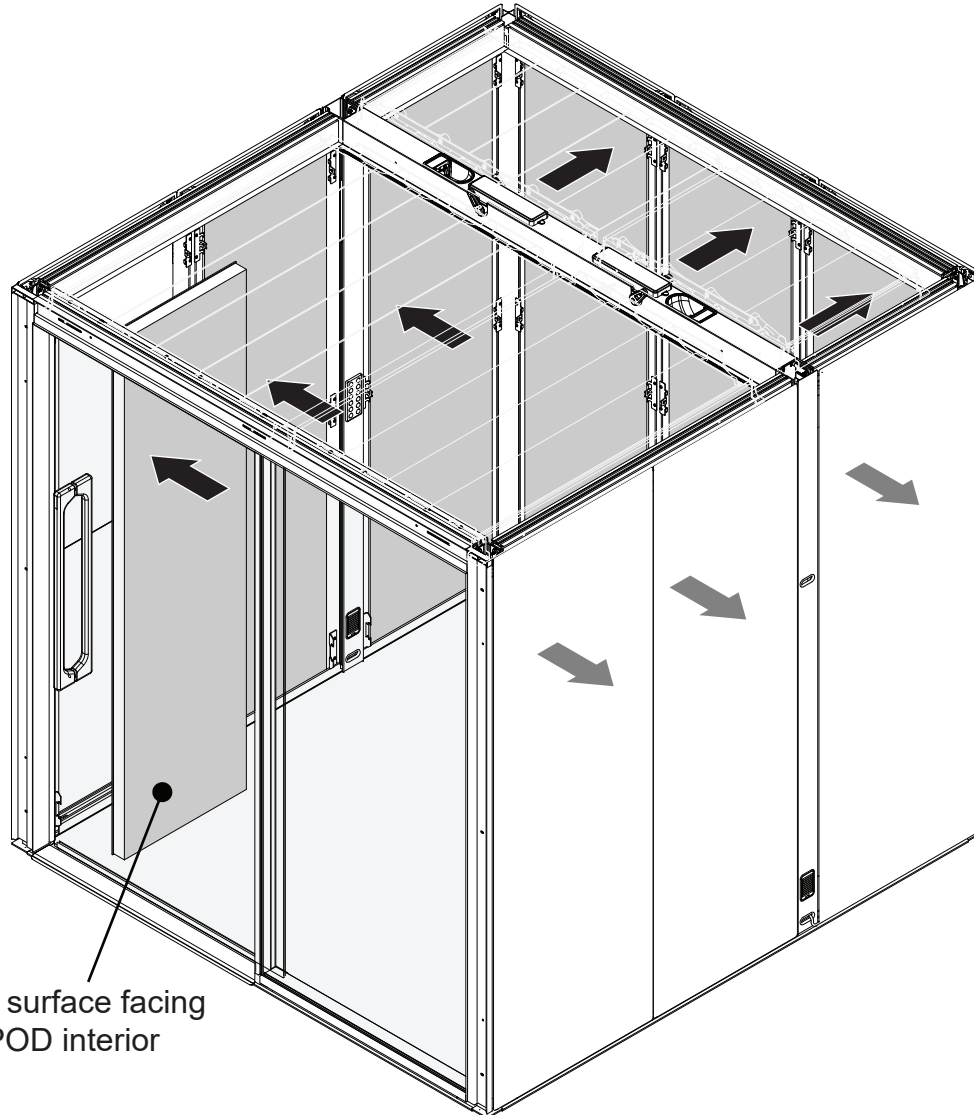
Application Rules:

Only a single panel will be specifiable as contrasting.

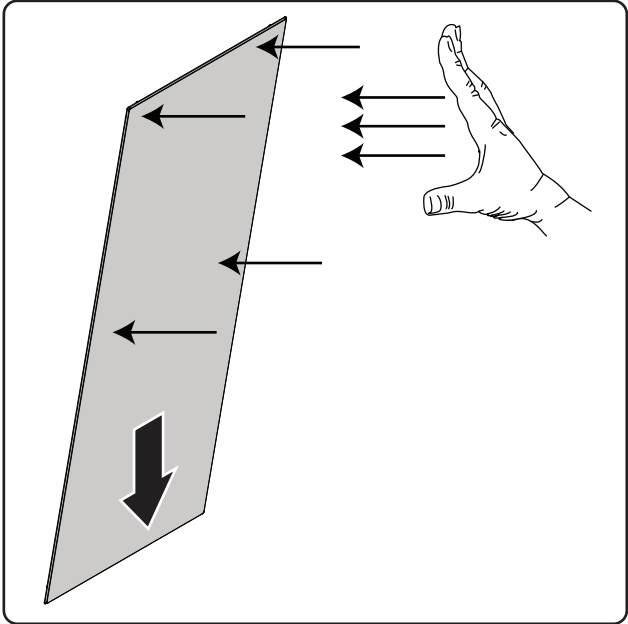
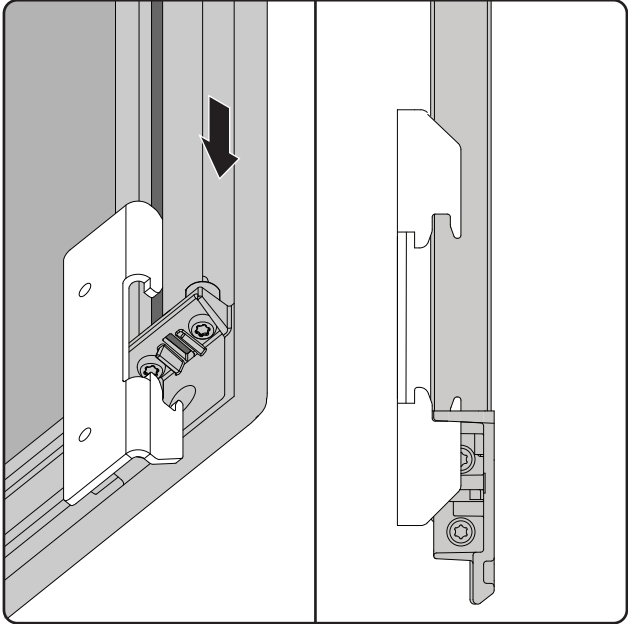
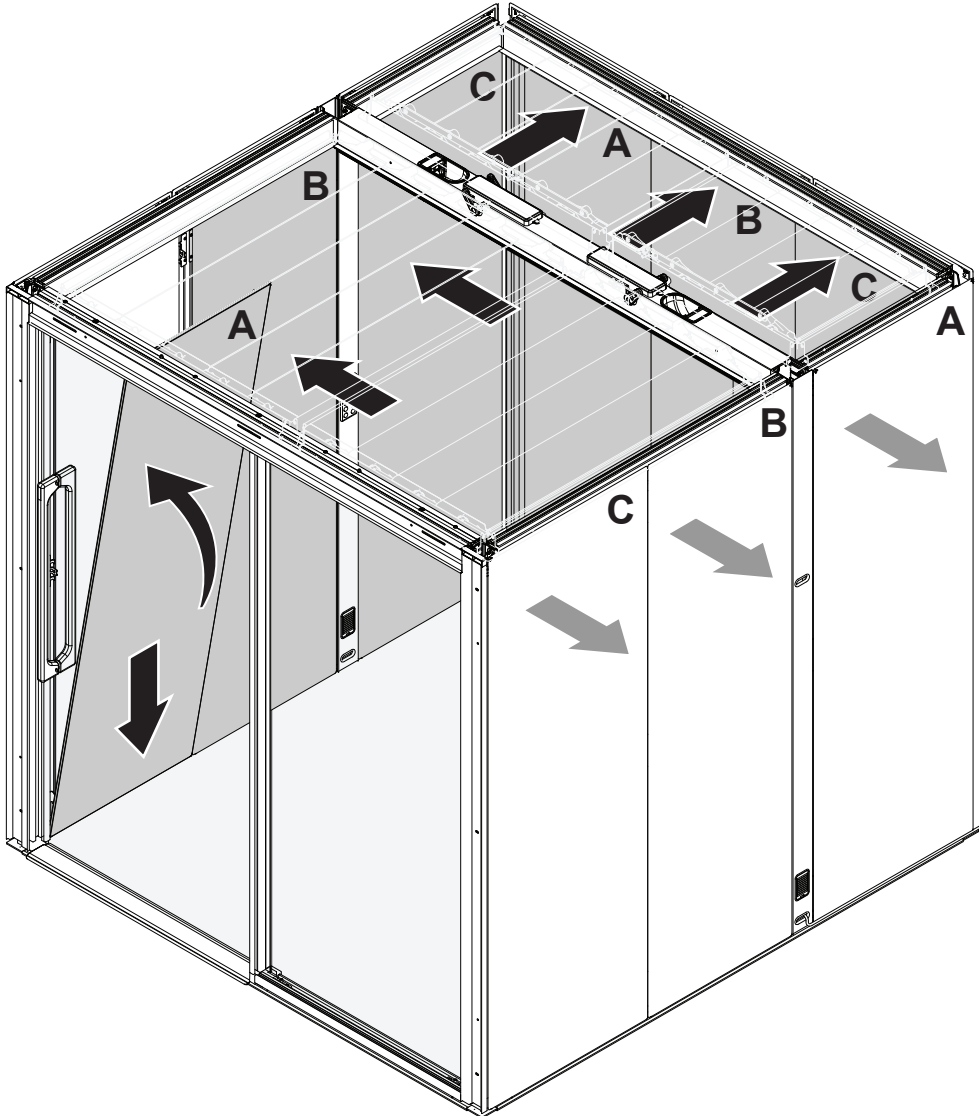
Step 10.2 Exterior Panels Assembly



Step 10.3 Acoustic Panels Assembly



Step 10.4 Interior Panels Assembly



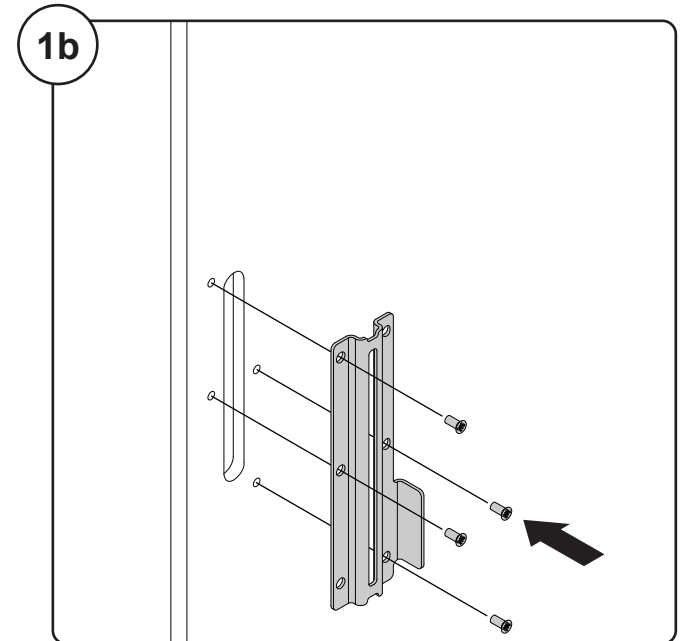
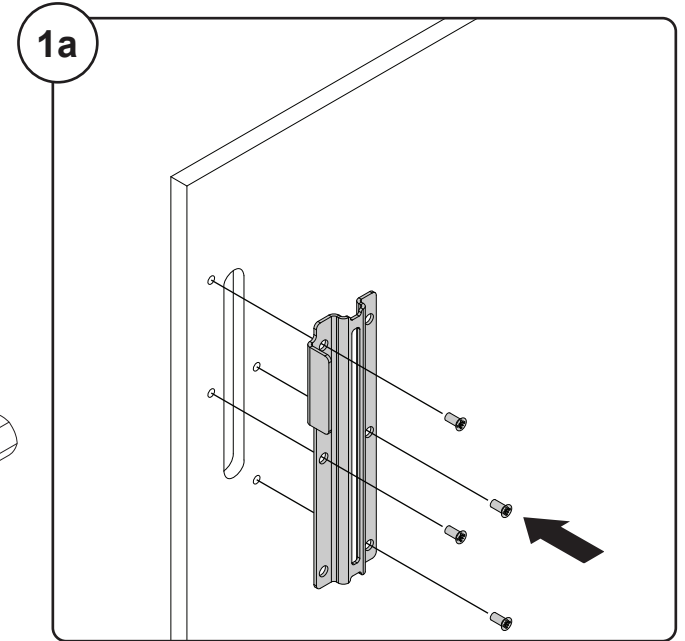
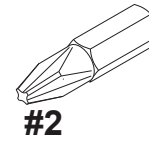
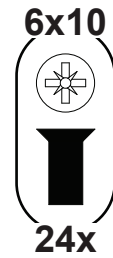
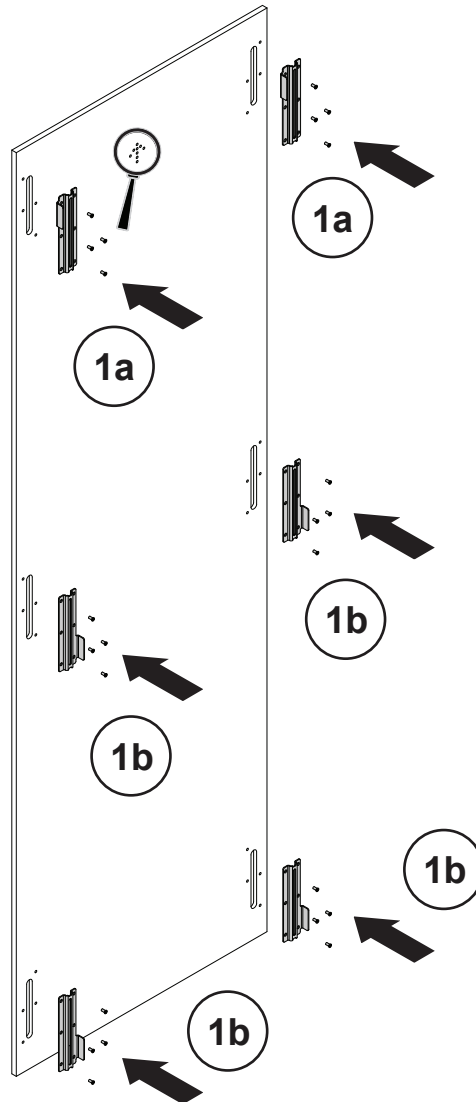
Step 10.5 Optional HPL Panels Assembly

HPL Panel Parcels: 1529332001; 1529332002; 1529332003;

This side up

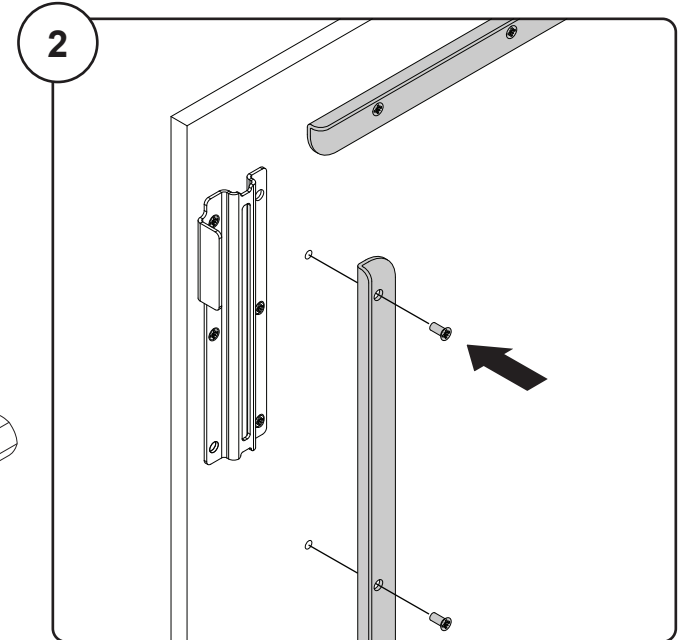
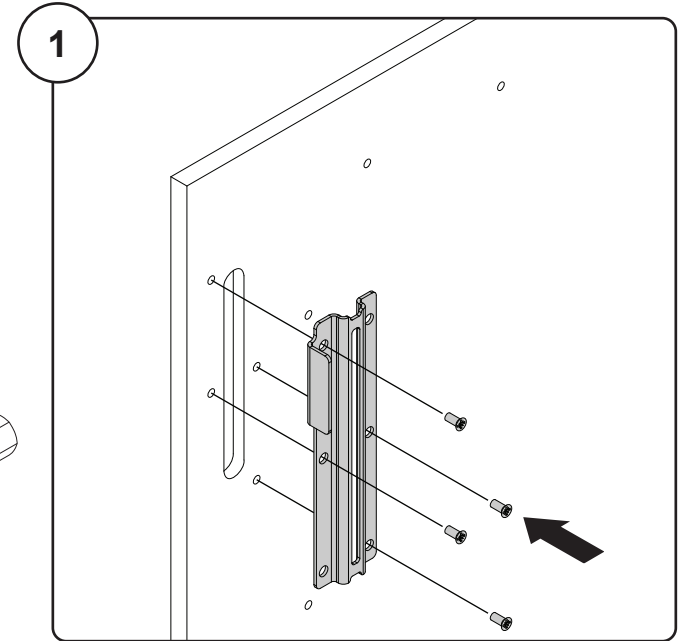
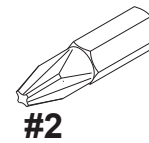
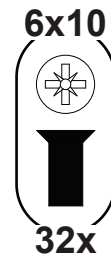
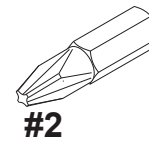
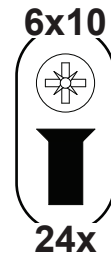
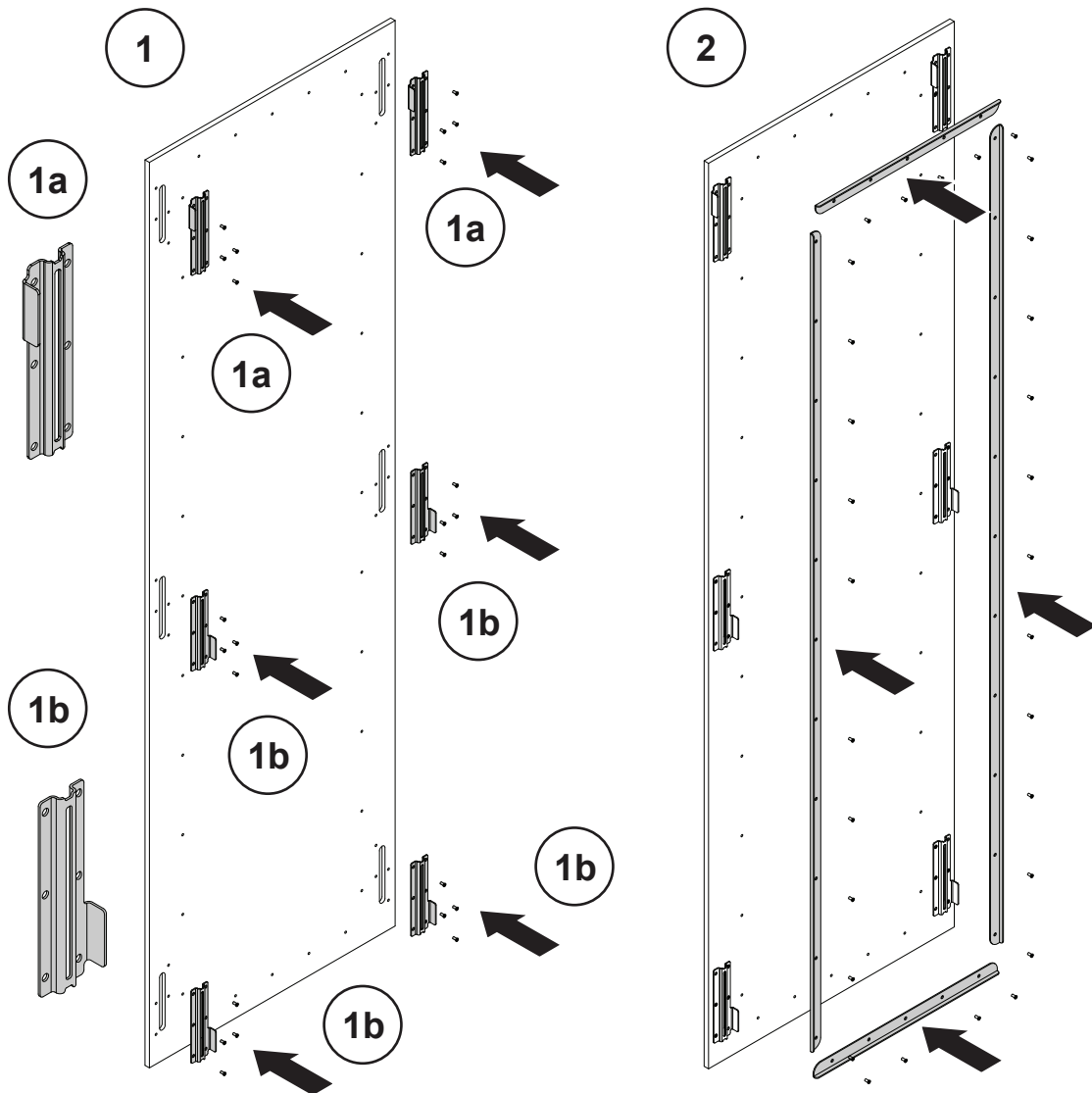


Interior panels only



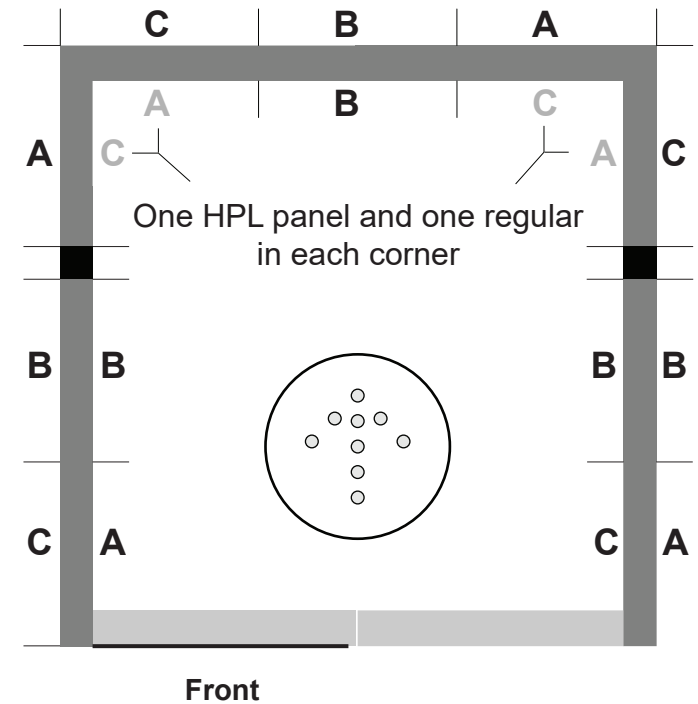
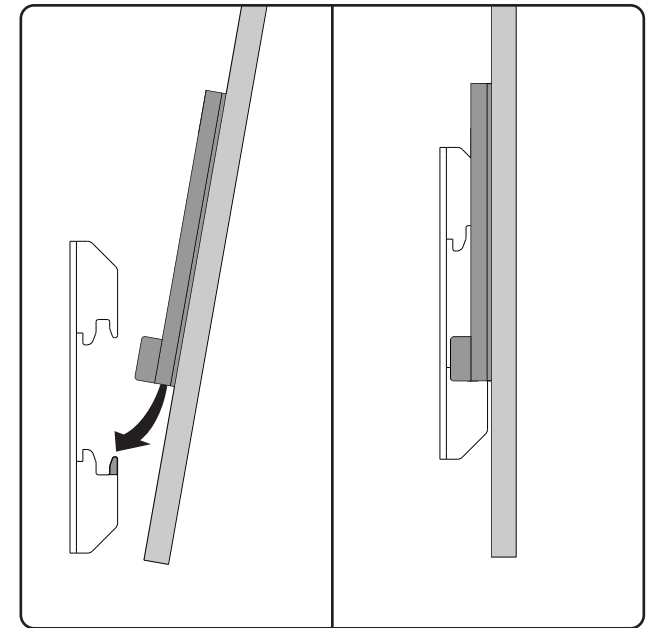
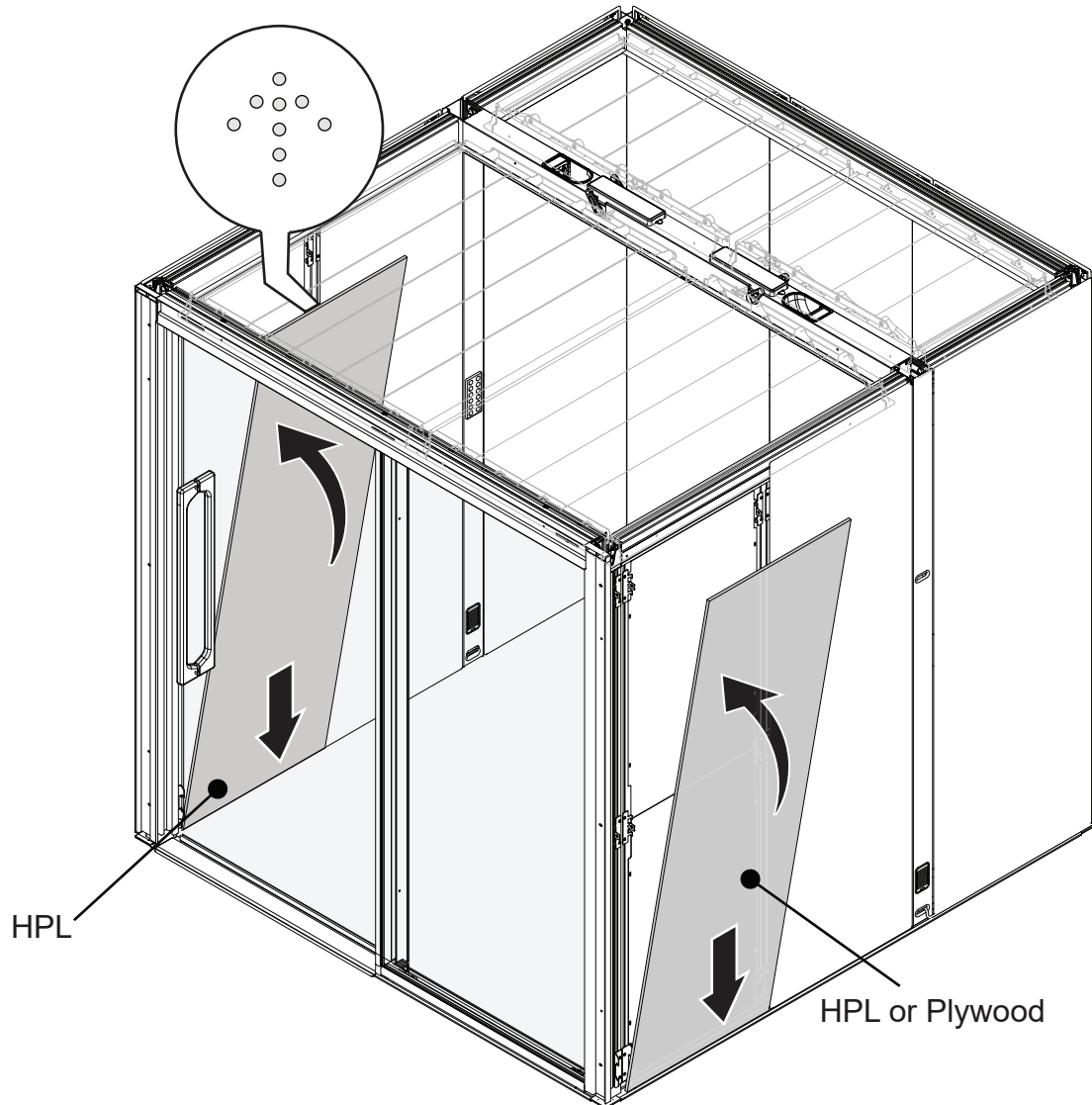
Step 10.6 Optional Plywood Panels Assembly

Plywood Panel Parcels: 1546108001; 1546108002; 1546108003;

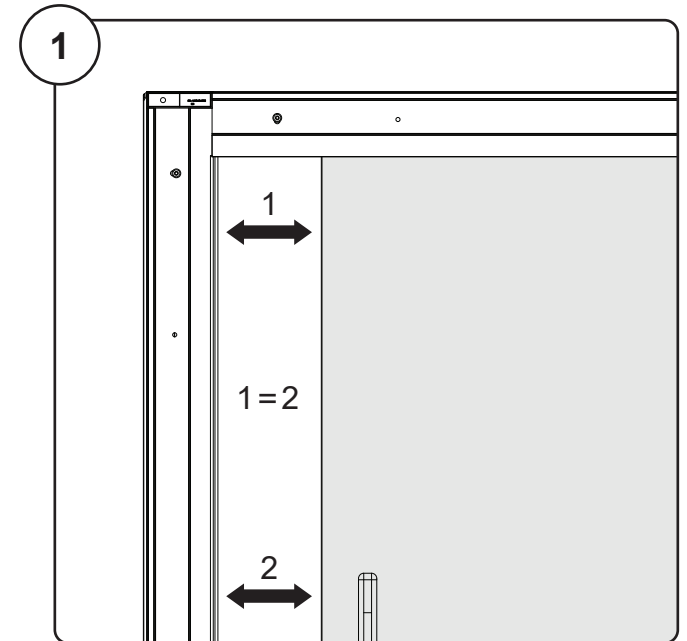
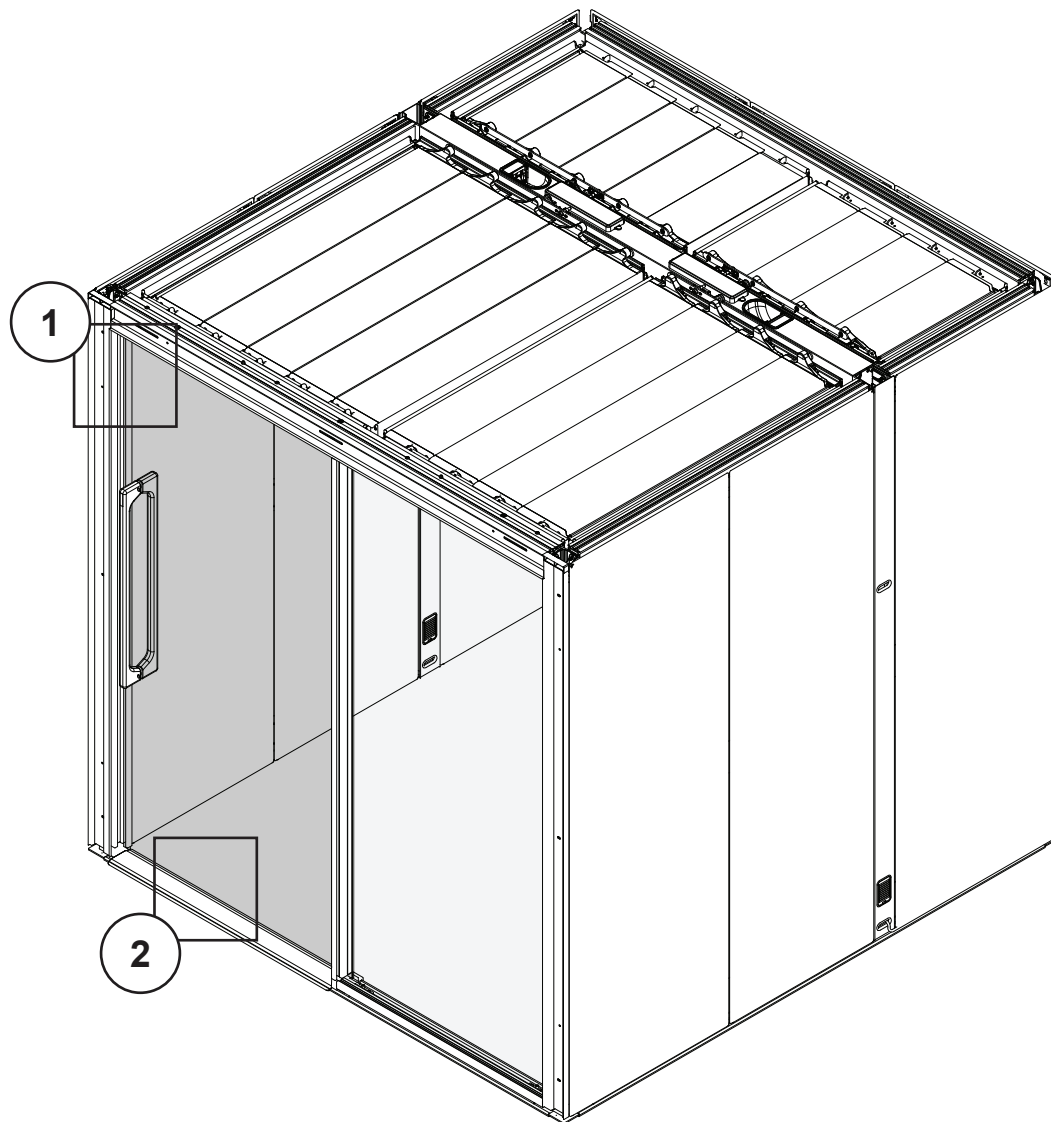


Step 10.7 Optional HPL and Plywood Panels Assembly

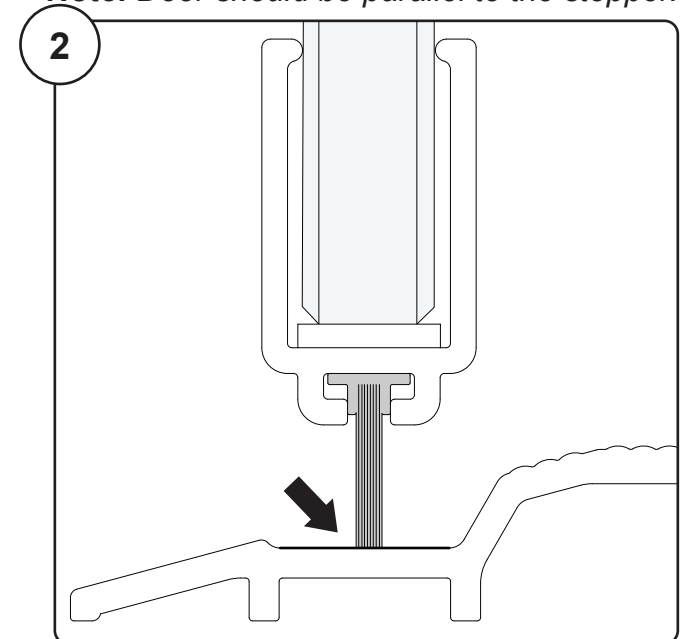
Note: HPL and Plywood Panels can be installed in place of regular panels.



Step 11.1 Door - Final Alignment



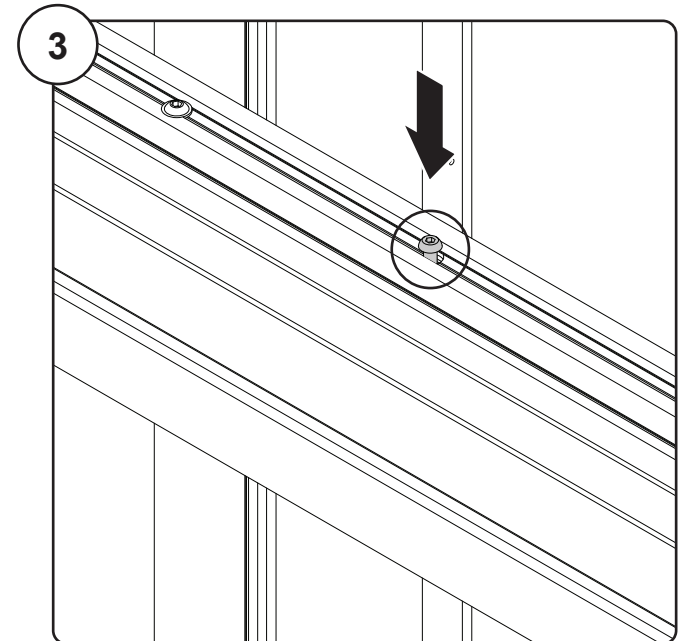
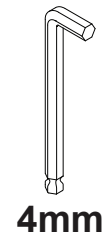
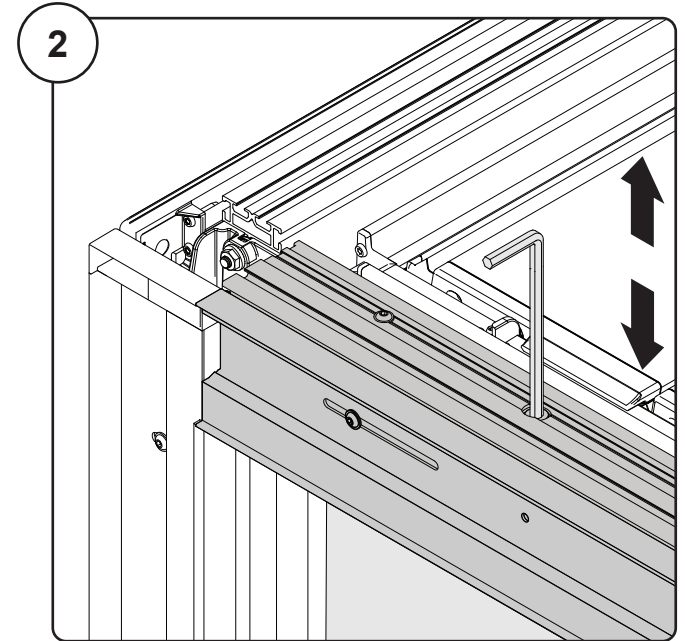
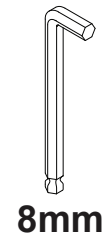
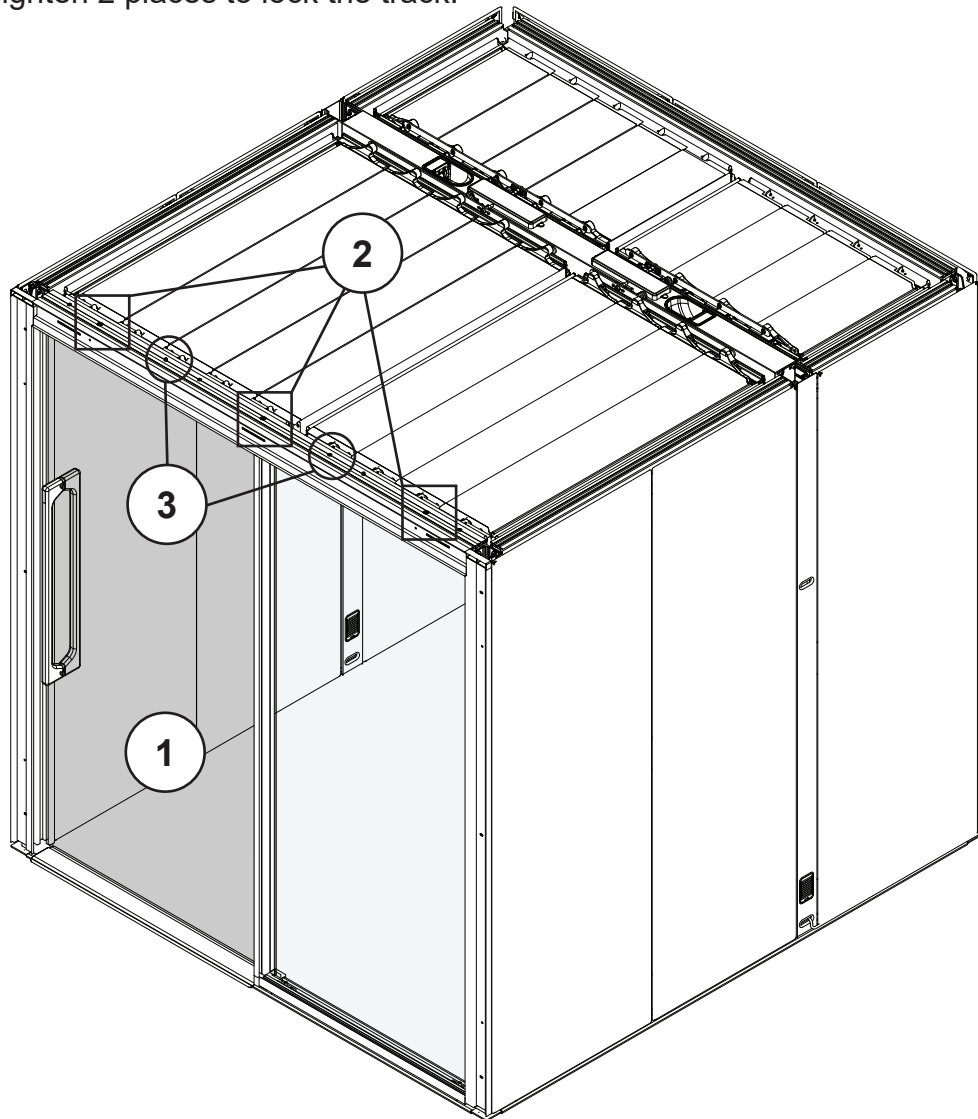
Note: Door should be parallel to the stopper.



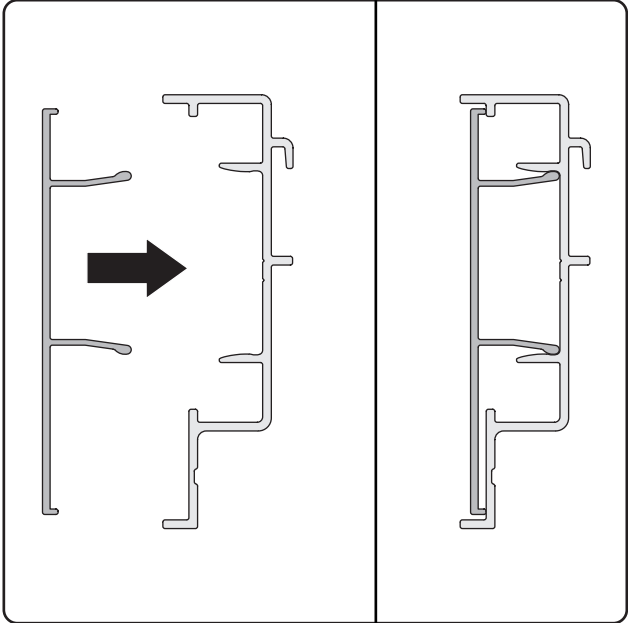
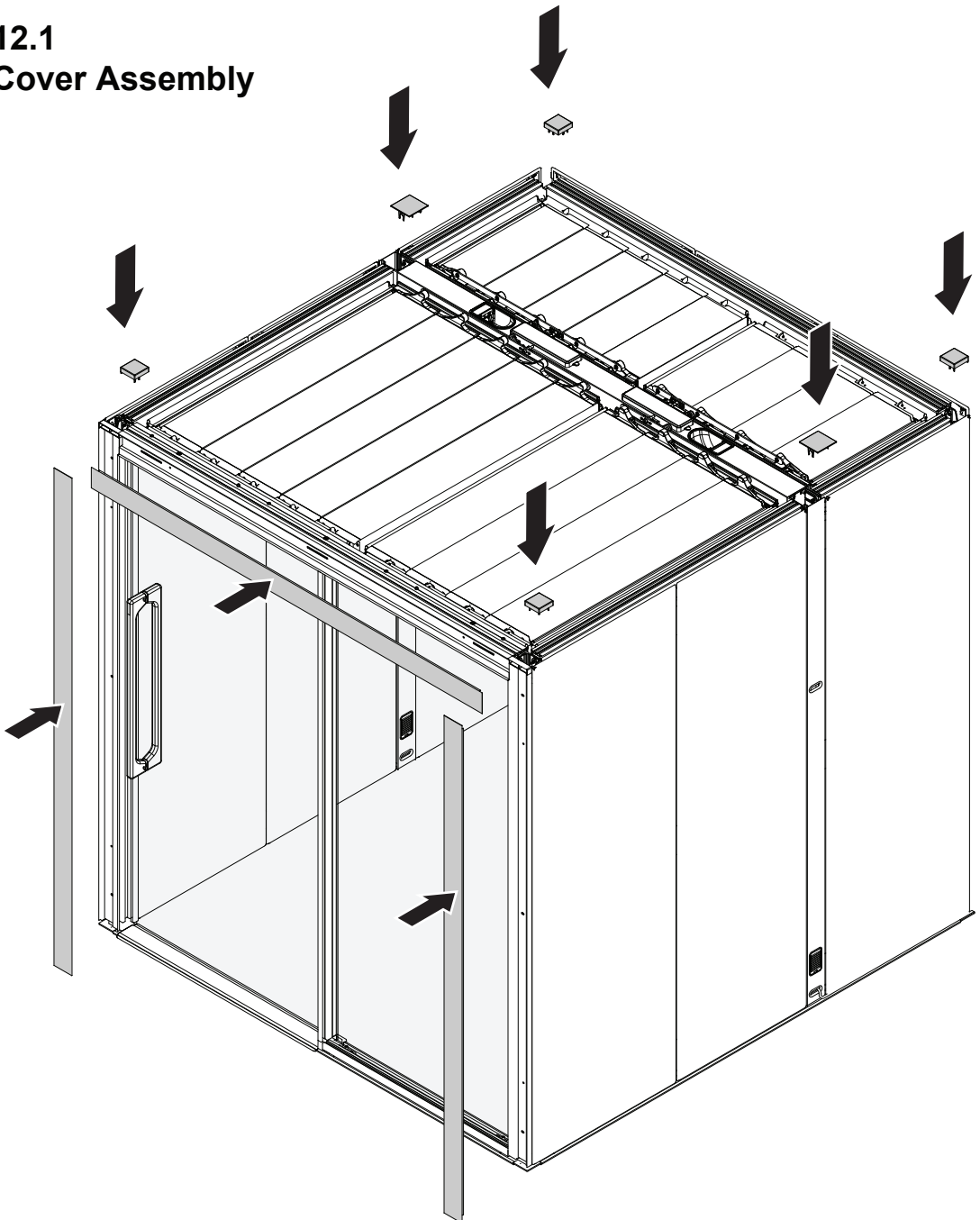
Note: Brush should barely touch the threshold.

Step 11.2 Door - Final Alignment

1. Check if door is aligned.
2. Adjust top track if necessary.
3. Tighten 2 places to lock the track.



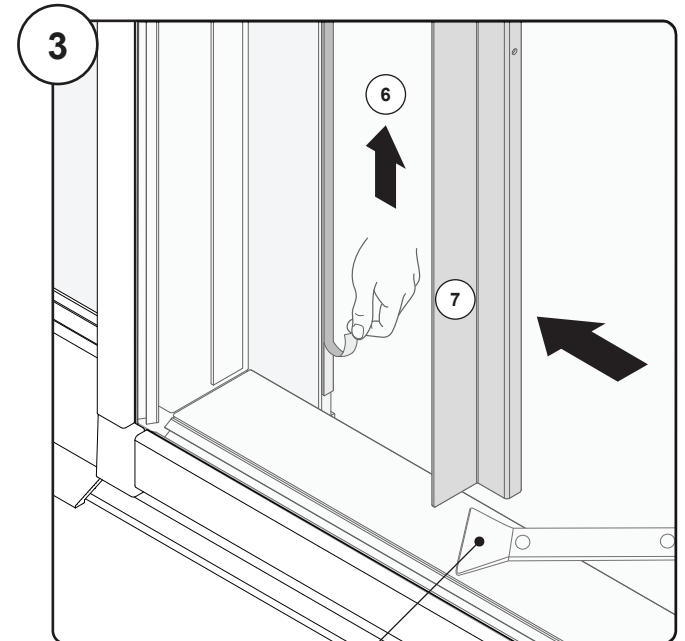
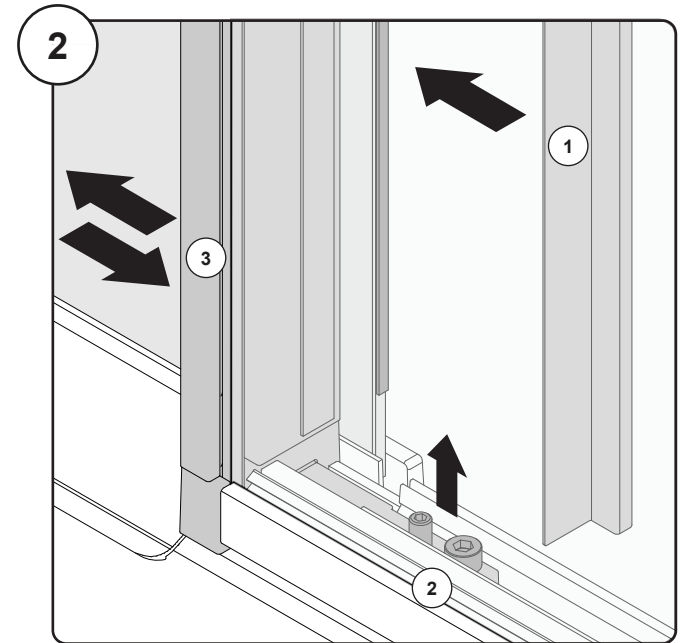
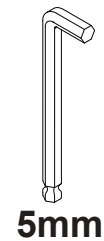
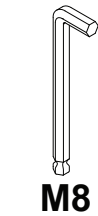
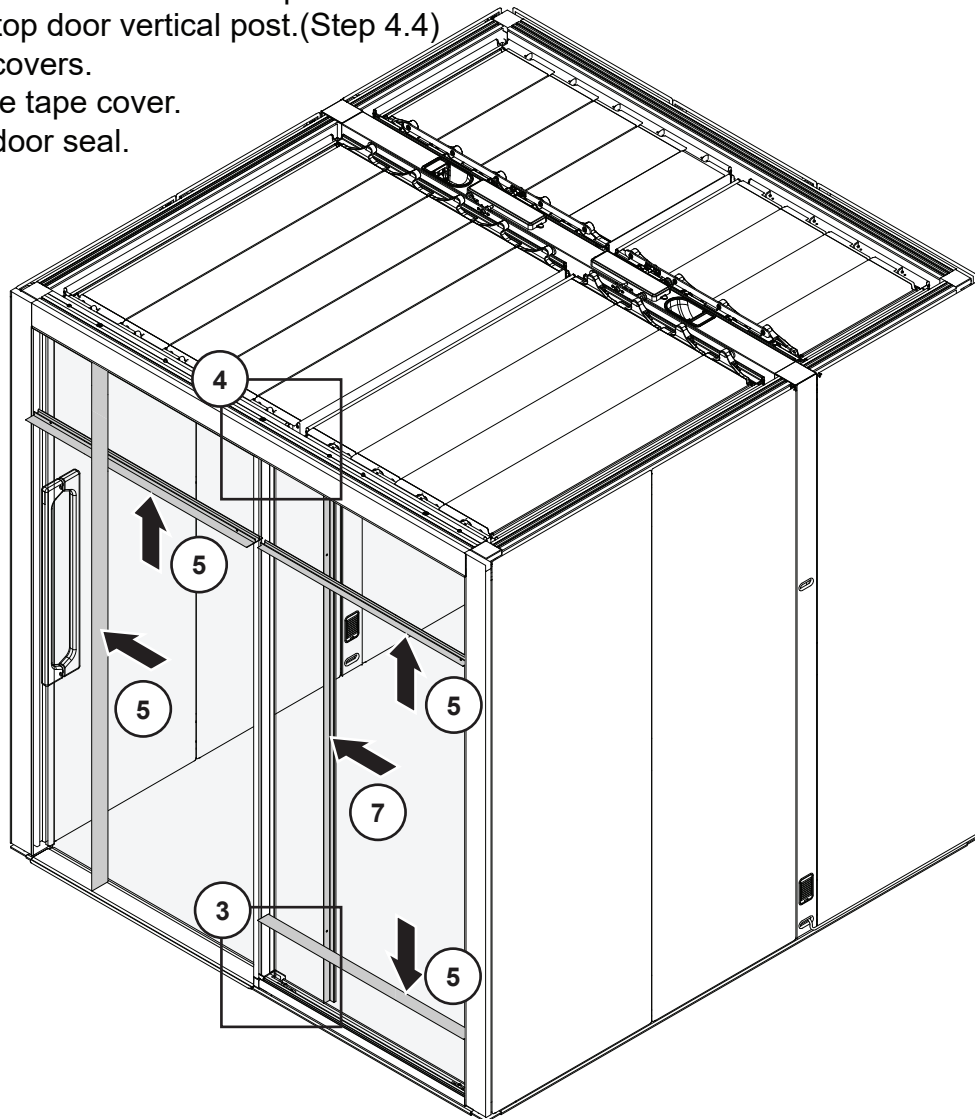
Step 12.1 Trim Cover Assembly



Step 13.1 Door Seal Assembly

If adjustments needed:

1. Dry fit door seal.
2. Loosen track bolts.
3. Adjust bottom door vertical post.
4. Adjust top door vertical post.(Step 4.4)
5. Install covers.
6. Remove tape cover.
7. Install door seal.

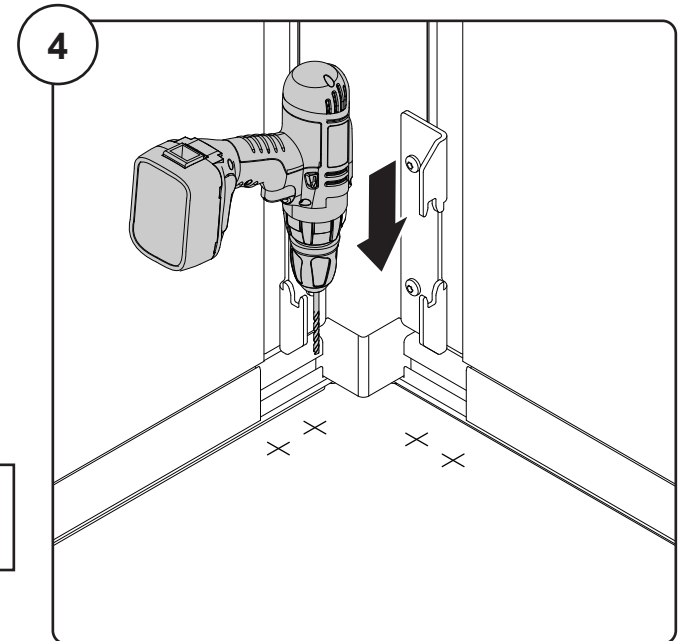
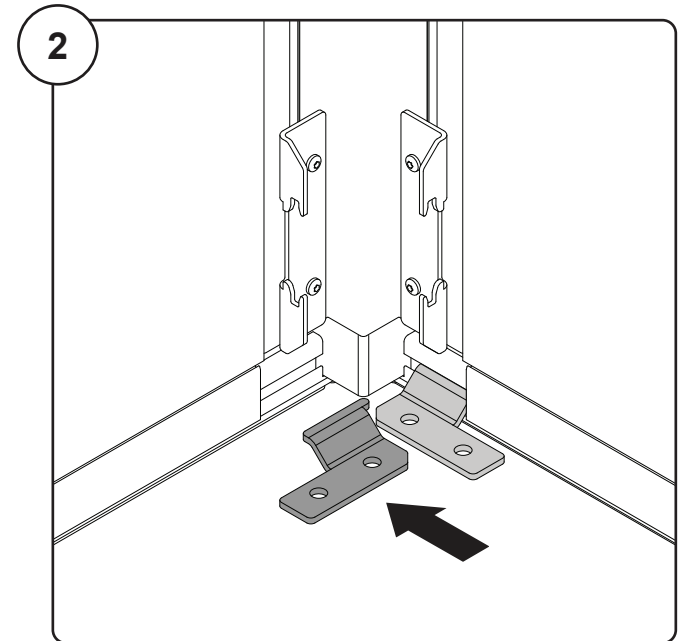
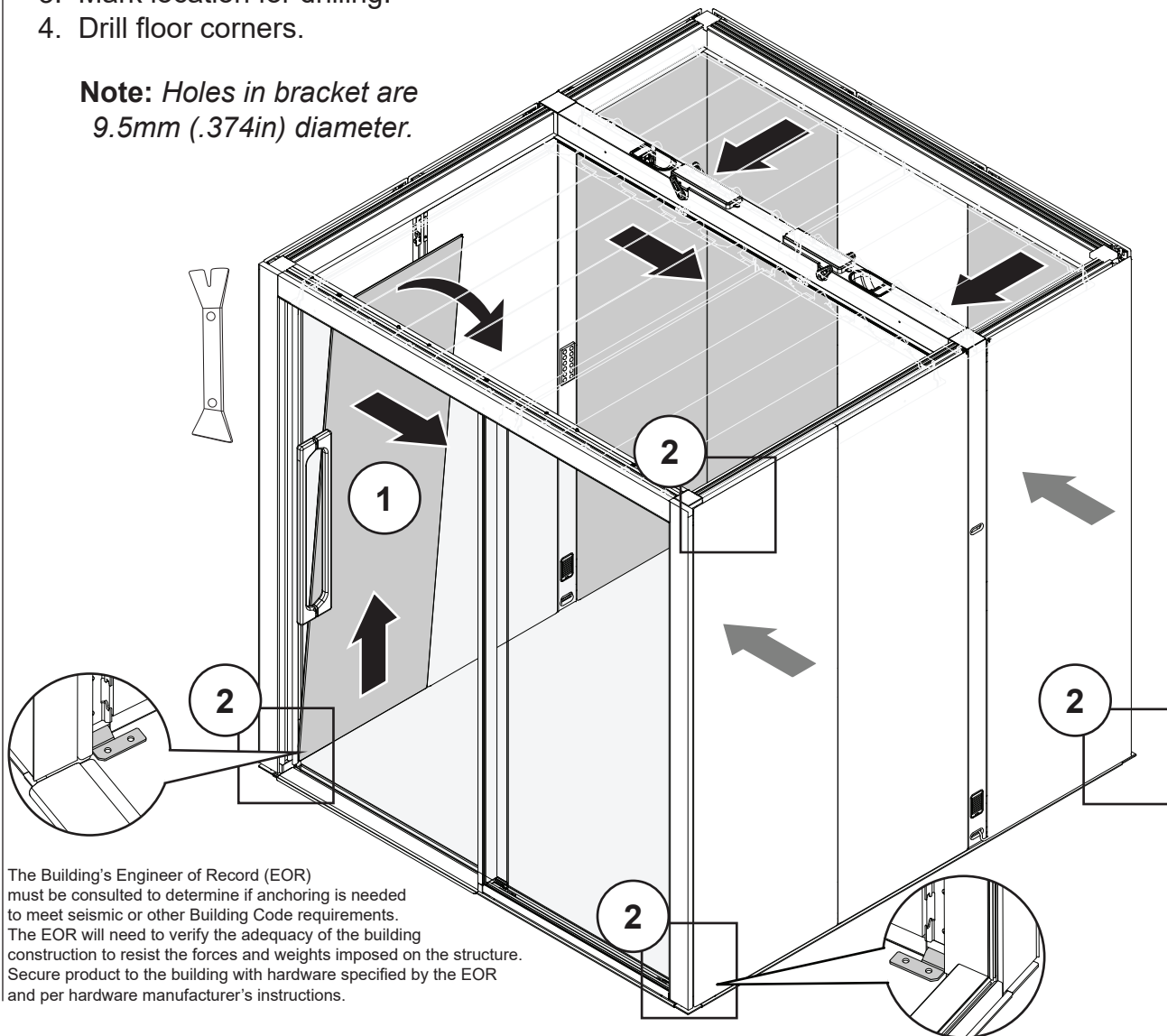


Note: Add a 3 mm spacer under Door Magnet Steel Strip before installing

Optional Seismic Kit Assembly

1. Remove all interior corner panels.
2. Install 6x bracket to corners (2 front 4 rear).
3. Mark location for drilling.
4. Drill floor corners.

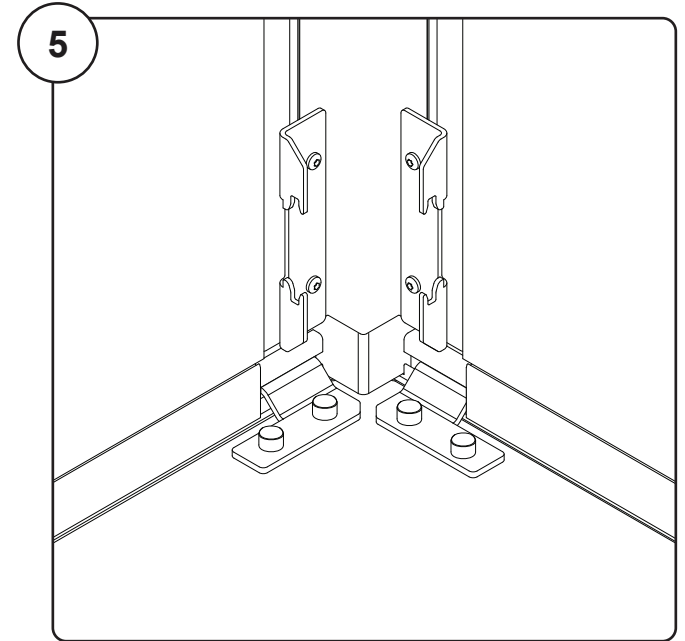
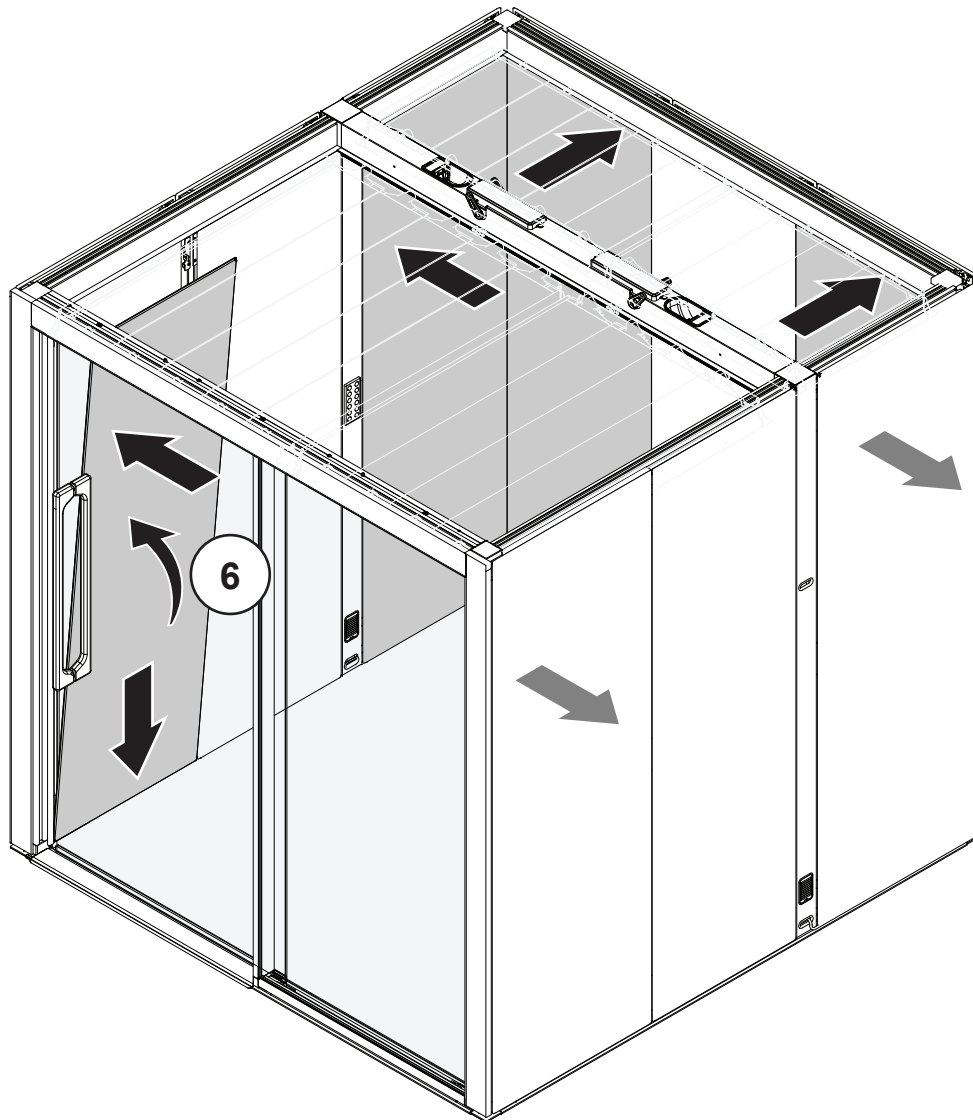
Note: Holes in bracket are 9.5mm (.374in) diameter.



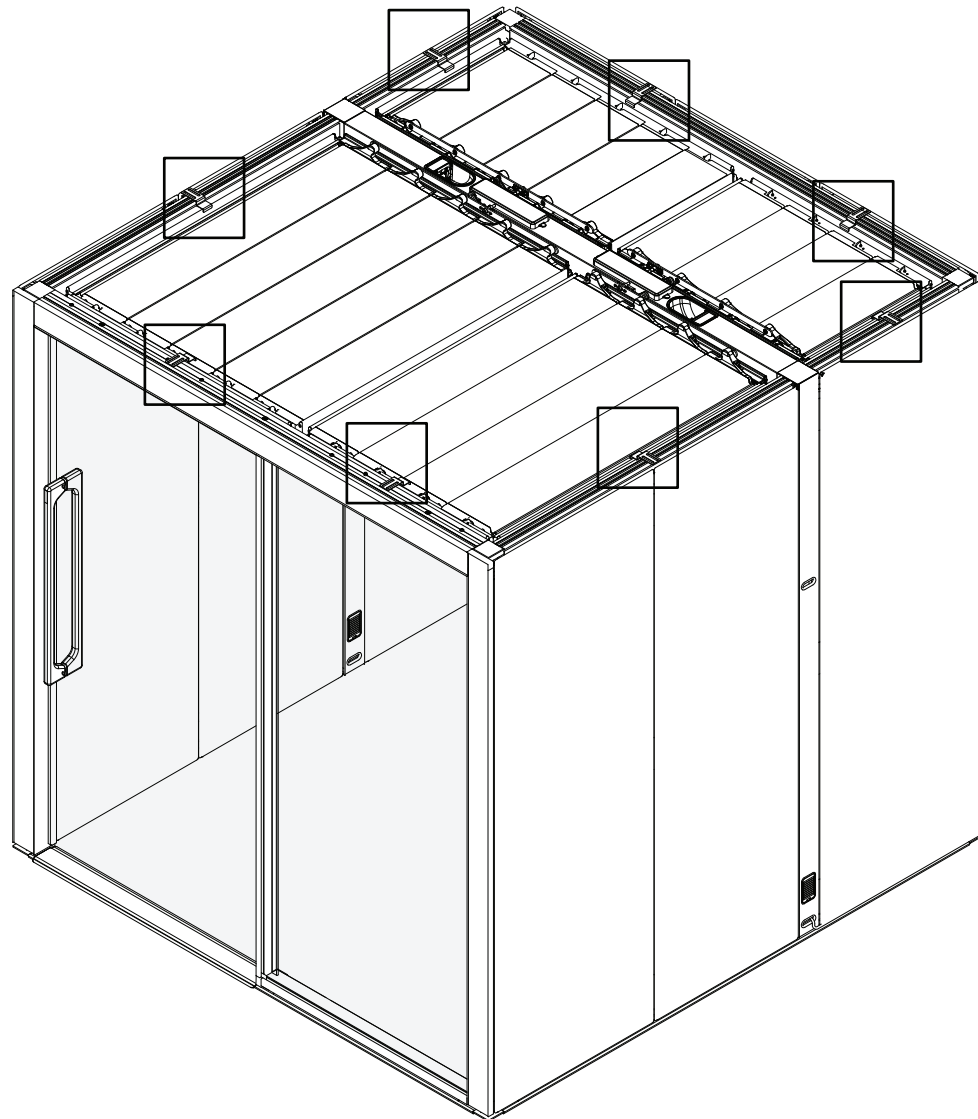
The Building's Engineer of Record (EOR) must be consulted to determine if anchoring is needed to meet seismic or other Building Code requirements. The EOR will need to verify the adequacy of the building construction to resist the forces and weights imposed on the structure. Secure product to the building with hardware specified by the EOR and per hardware manufacturer's instructions.

Optional Seismic Kit Assembly

5. Secure product to the building with hardware specified by the EOR.
6. Install panels.



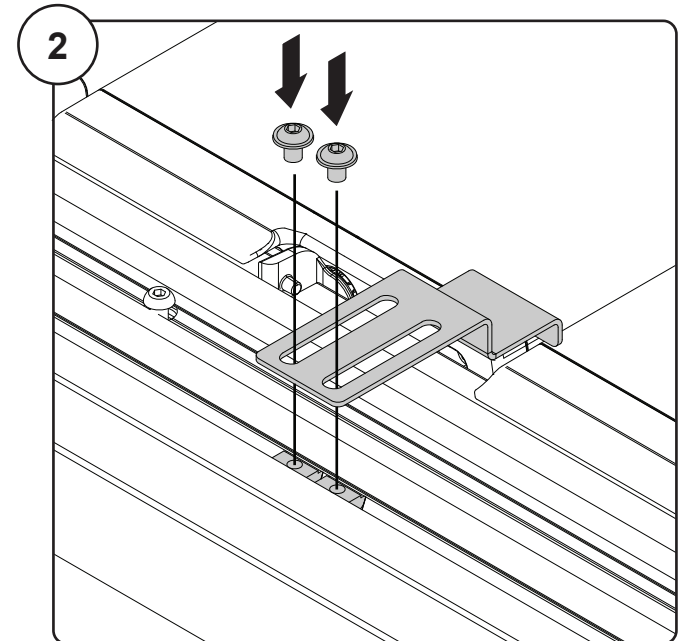
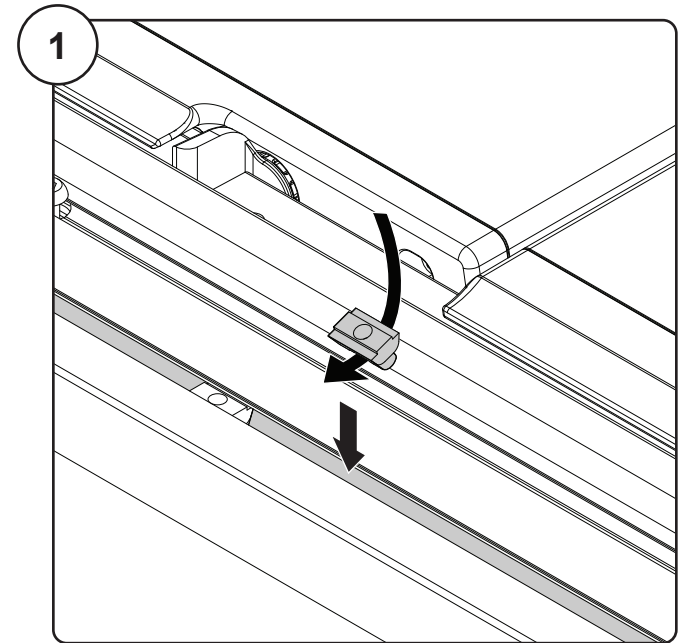
Optional Seismic Kit Assembly



T-Nut
16x

M6x8
16x

4mm



Step 14.1 Cleaning

