

# Sprinkler Head Location Options

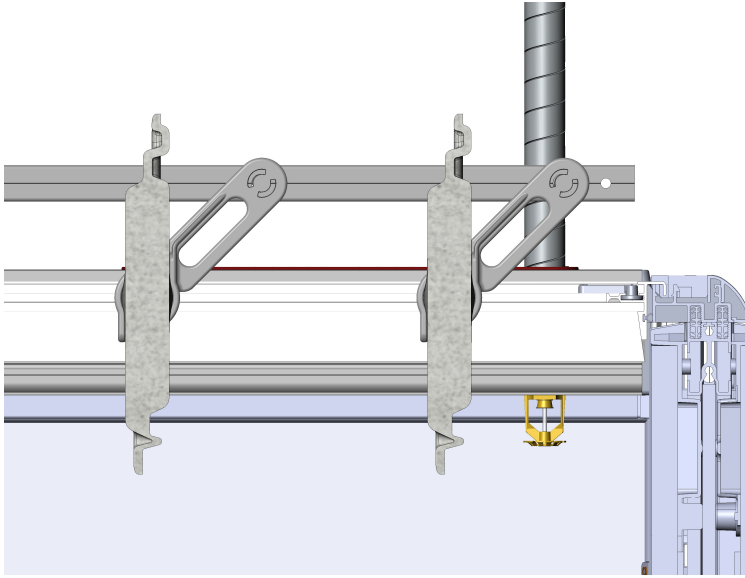
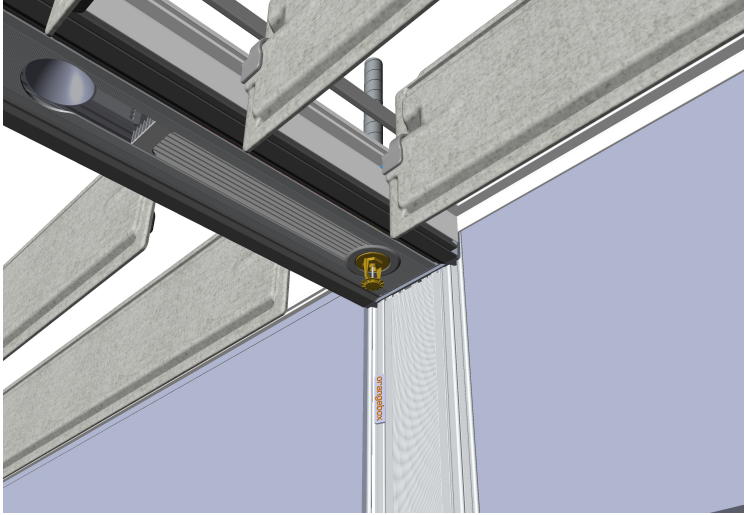
Through Single Roof Blade



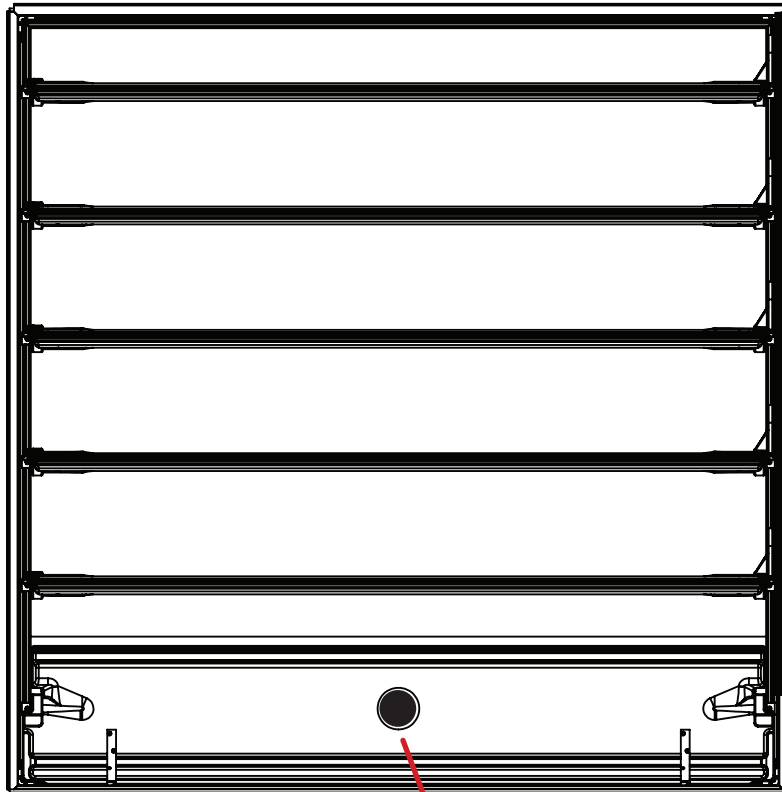
Through Wall Panel



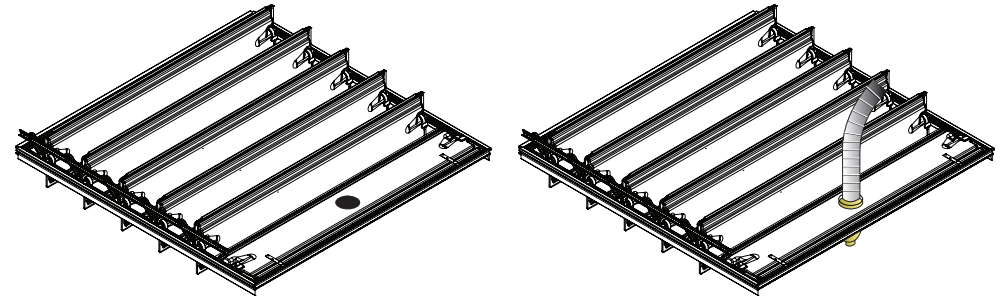
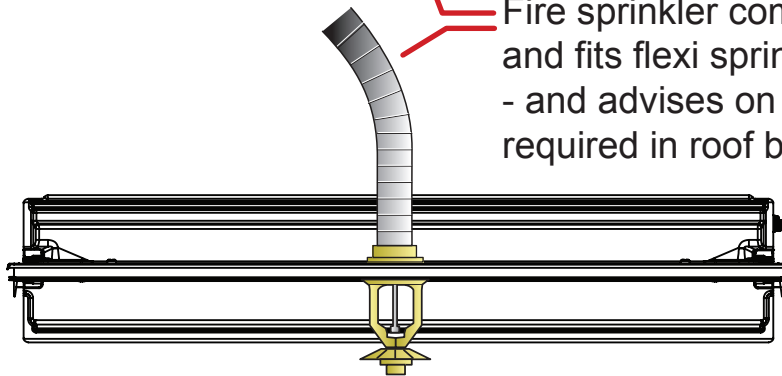
Through Hoop



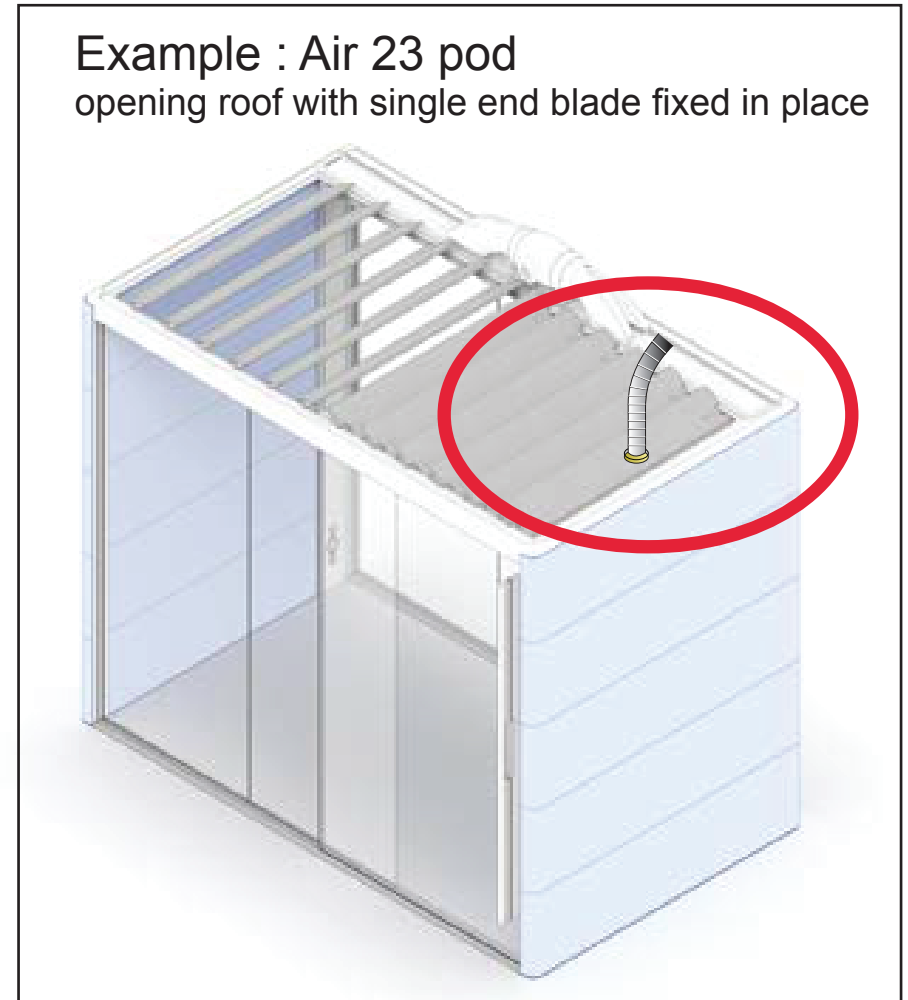
Air pod : sprinklerhead integration  
(end blade fixed)



Fire sprinkler company supplies  
and fits flexi sprinkler head  
- and advises on hole  
required in roof blade

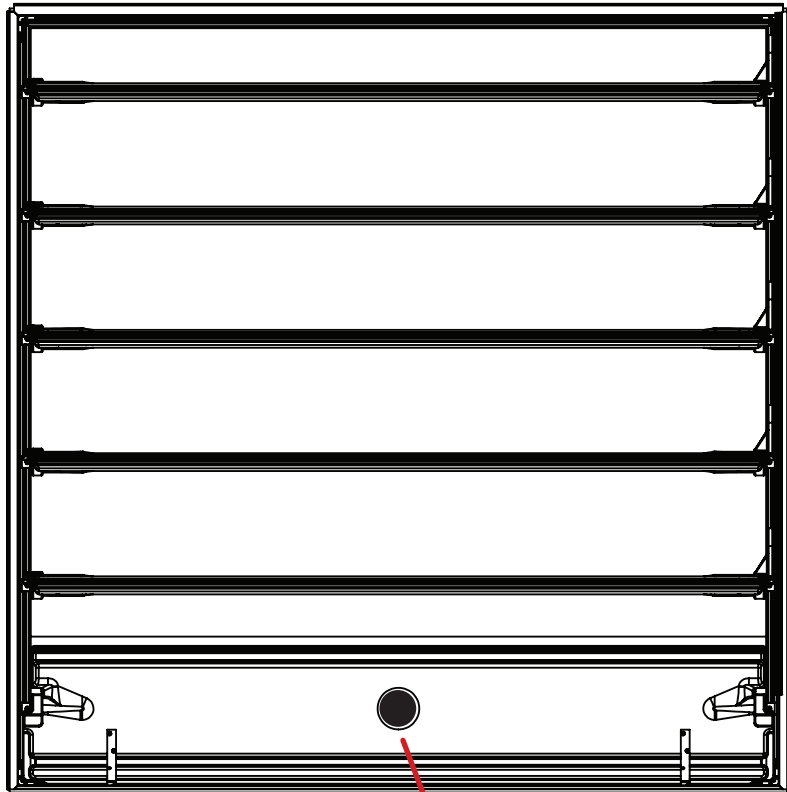


Example : Air 23 pod  
opening roof with single end blade fixed in place

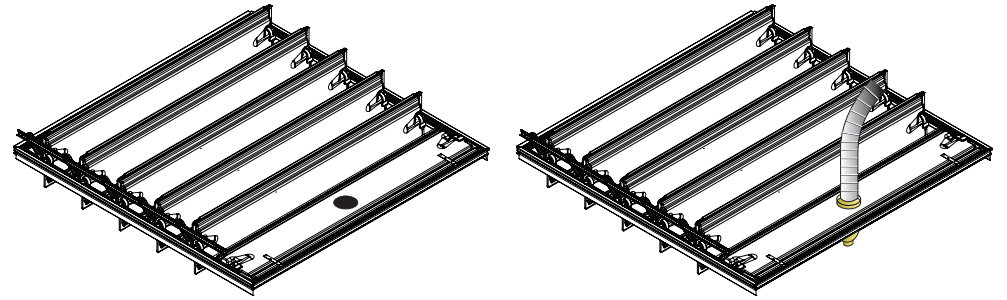
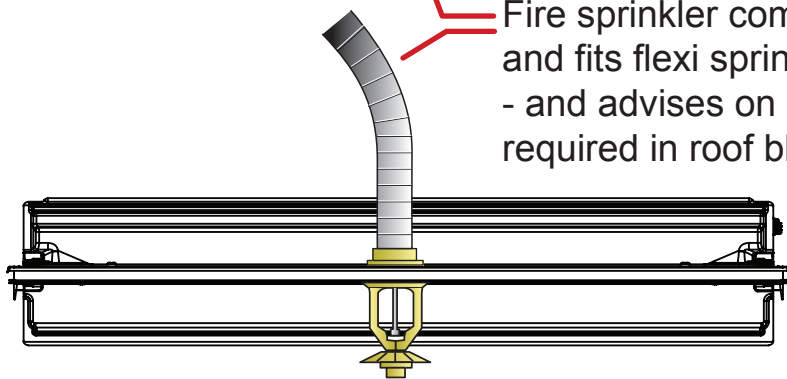


orangebox

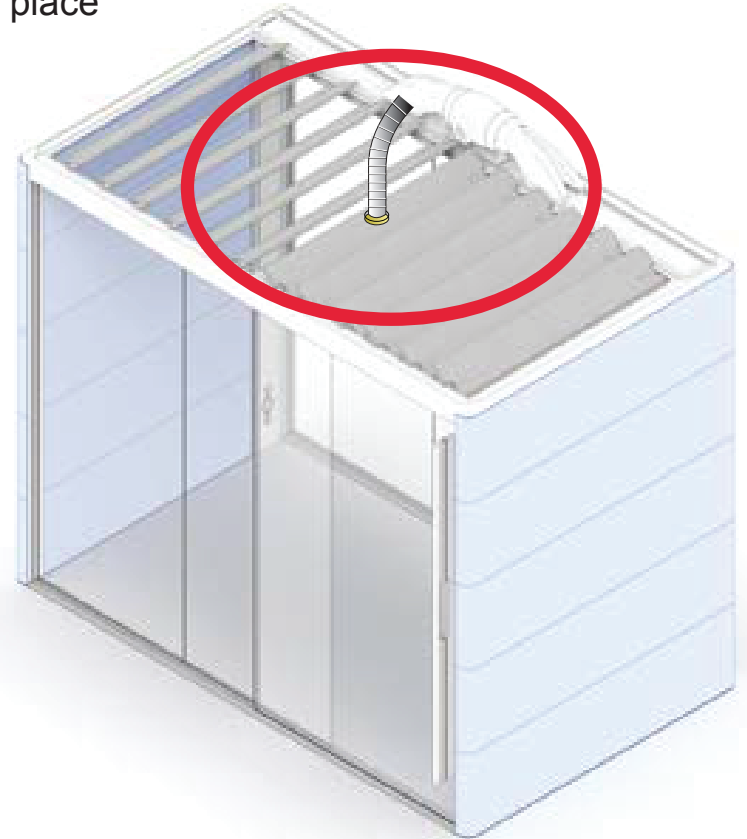
Air pod : sprinklerhead integration  
(center blade fixed)



Fire sprinkler company supplies  
and fits flexi sprinkler head  
- and advises on hole  
required in roof blade



Example : Air 23 pod  
opening roof with single center blade fixed in  
place



orangebox

## Disconnecting Single Roof Blade

Disconnect roof blade from the track that is being controlled by the actuator – this will keep the single roof blade permanently closed

