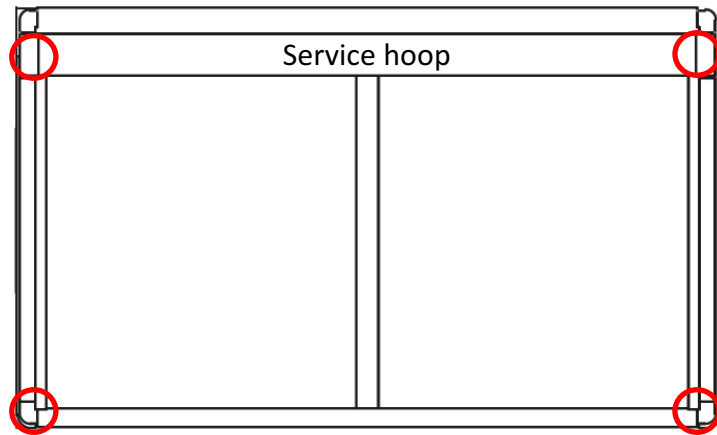


AIR³ SEISMIC BRACKETS

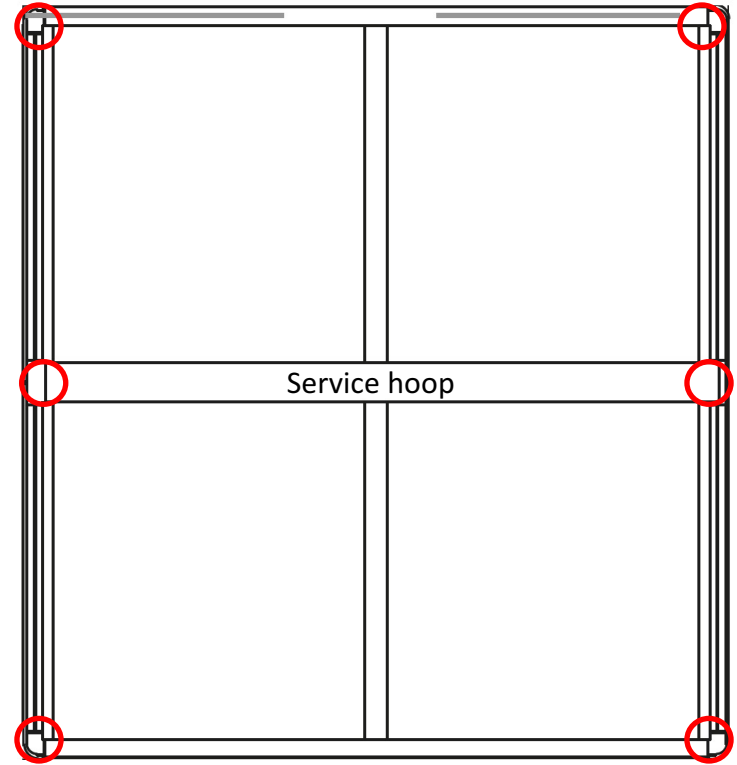
orangebox

Seismic Bracket Locations



Air23

2 Brackets on front exterior corners
2 brackets inside service hoop



Air25/27/29

4 Brackets on exterior corners 2
brackets inside service hoops

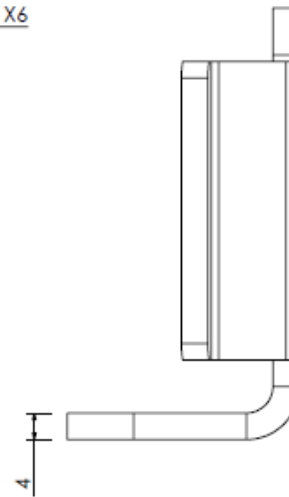
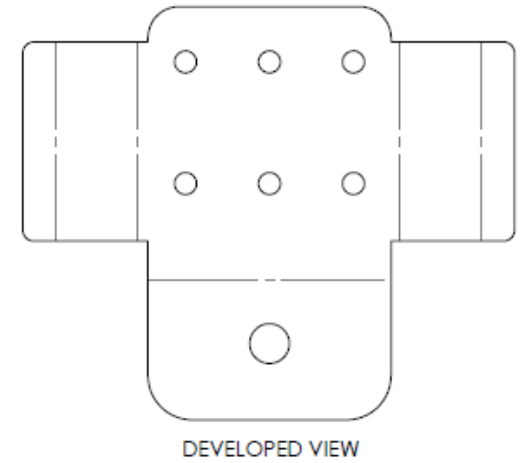
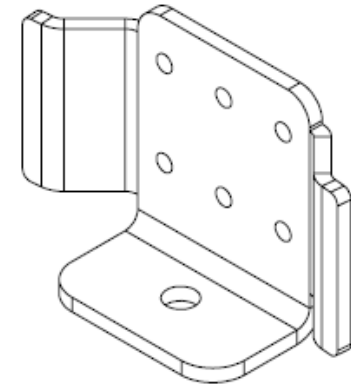
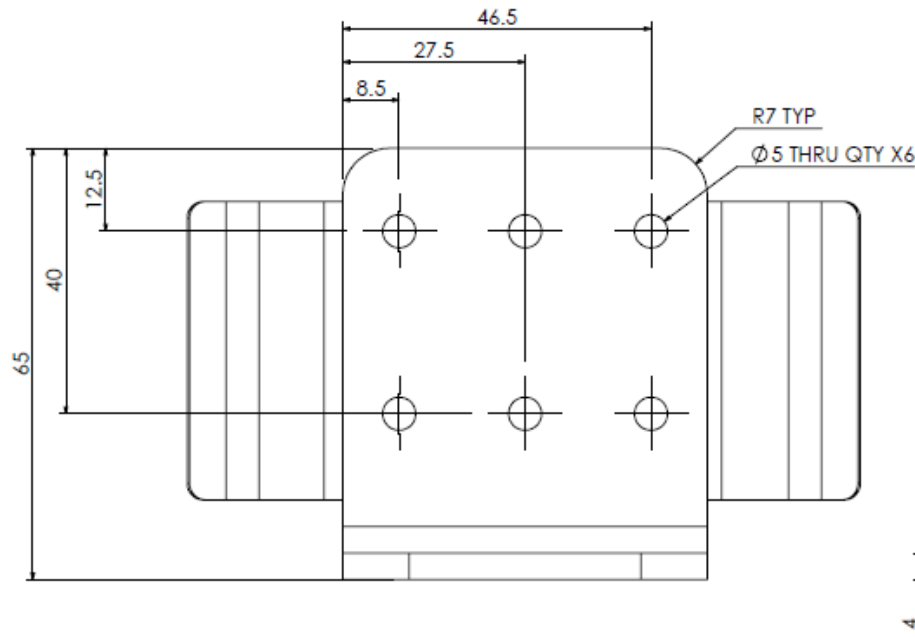
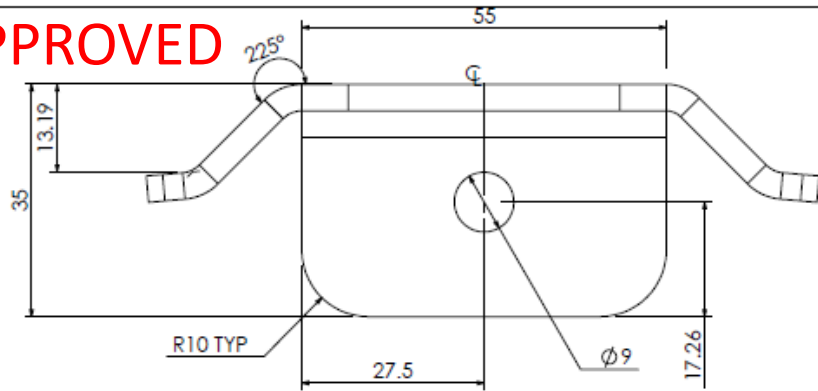
HOOP SAFETY BRACKET.



4MM THICK MILD STEEL BRACKET.
FIXES INSIDE BOTH HOOP
UPRIGHTS (6 FIXINGS).

WHEN FIXED TO THE FLOOR THE
'ARMS' ANCHOR THE HOOP DOWN
SECURELY.

APPROVED



Notes:
4MM MILD STEEL
PAINTED RAL9003 SIGNAL WHITE

Title:
HOOP SAFETY BRACKET

Scale:
NTS

Unless otherwise specified
All dimensions in mm

Checked:

Approved:

REV	DESCRIPTION	DATE	MOD BY
0	FIRST ISSUE	03-Mar-15	NS
1	THICKNESS INCREASED TO 4MM & HEMS REMOVED	18-Mar-15	NS
2	BOLT DOWN SLOT CHANGED TO SINGLE HOLD	30-Apr-15	NS

© ORANGETBOX LTD 2015

Tel: 01484 536400 Fax: 01484 536410

Date:

Drawn:

Drawing No:

Rev:

Bates Mill
Colne Road
Huddersfield
HDT 3AG

Email: richard.drew@orangebox.com

adam.edwards@orangebox.com

March 03, 2015

NS

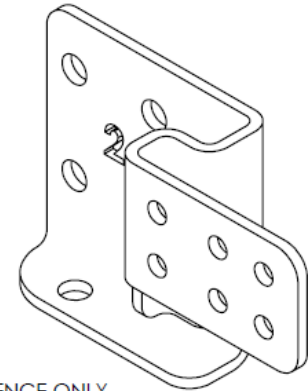
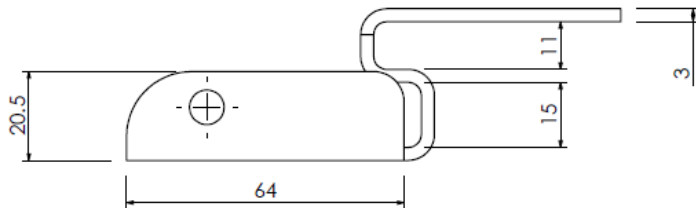
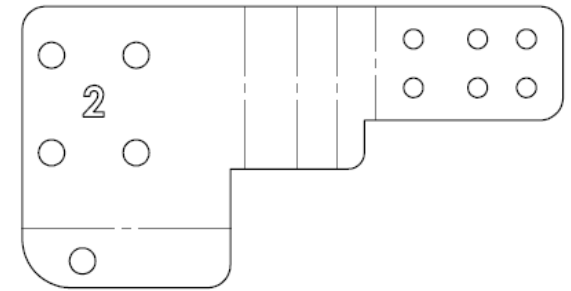
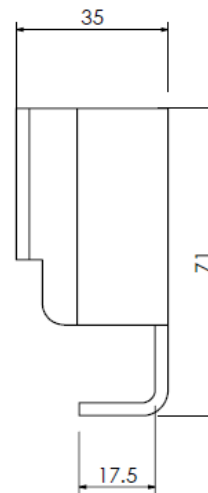
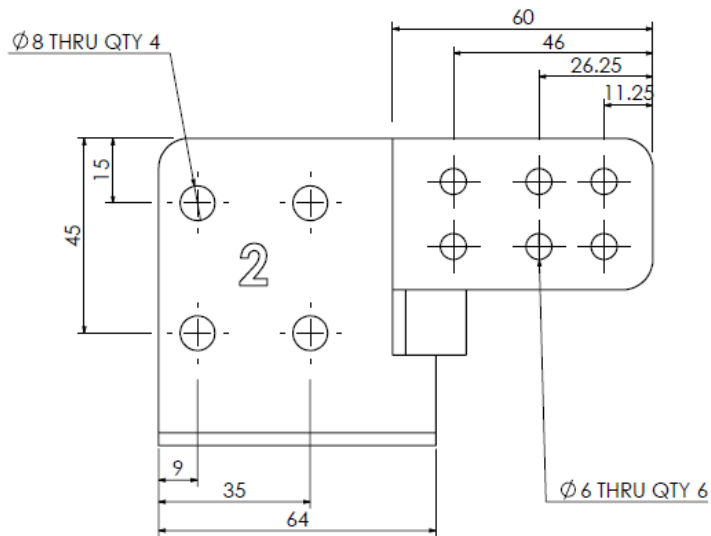
AIR-826-00

2

SQUARE POD FLOOR LEVEL SAFETY BRACKET.



3MM THICK MILD STEEL BRACKET.
FIXES TO THE CORNER JOIN OF THE SCREEN AND DOOR UPRIGHT (6 FIXINGS).
ONE BRACKET PER CORNER ON THE SQUARE POD



AIR-827-01 LH DRAWN
AIR-827-02 RH OPPOSITE

DIMS FOR REFERENCE ONLY
USE 3D CAD DATA FOR TOOLING

Notes: 3MM MILD STEEL PAINTED RAL 9006 WHITE ALUMINIUM		Title: STRAIGHT POD FLOOR LEVEL SAFETY BRACKET LH		Scale: NTS	Unless otherwise specified All dimensions in mm		
© ORANGEBOX LTD 2015		Tel: 01484 536400 Fax: 01484 536410		Checked:		Approved:	
Bates Mill Colne Road Huddersfield HD1 3AG		Email: richard.drew@orangebox.com adam.edwards@orangebox.com		Drawn: NS	Drawing No: AIR-827-01		Rev: 2
REV	DESCRIPTION	DATE	MOD BY	Date:			
1	VARIOUS DESIGN CHANGES	08-Apr-15	NS	April 08, 2015			
2	PAINTED FINISH CHANGED	07-Jul-15	NS				