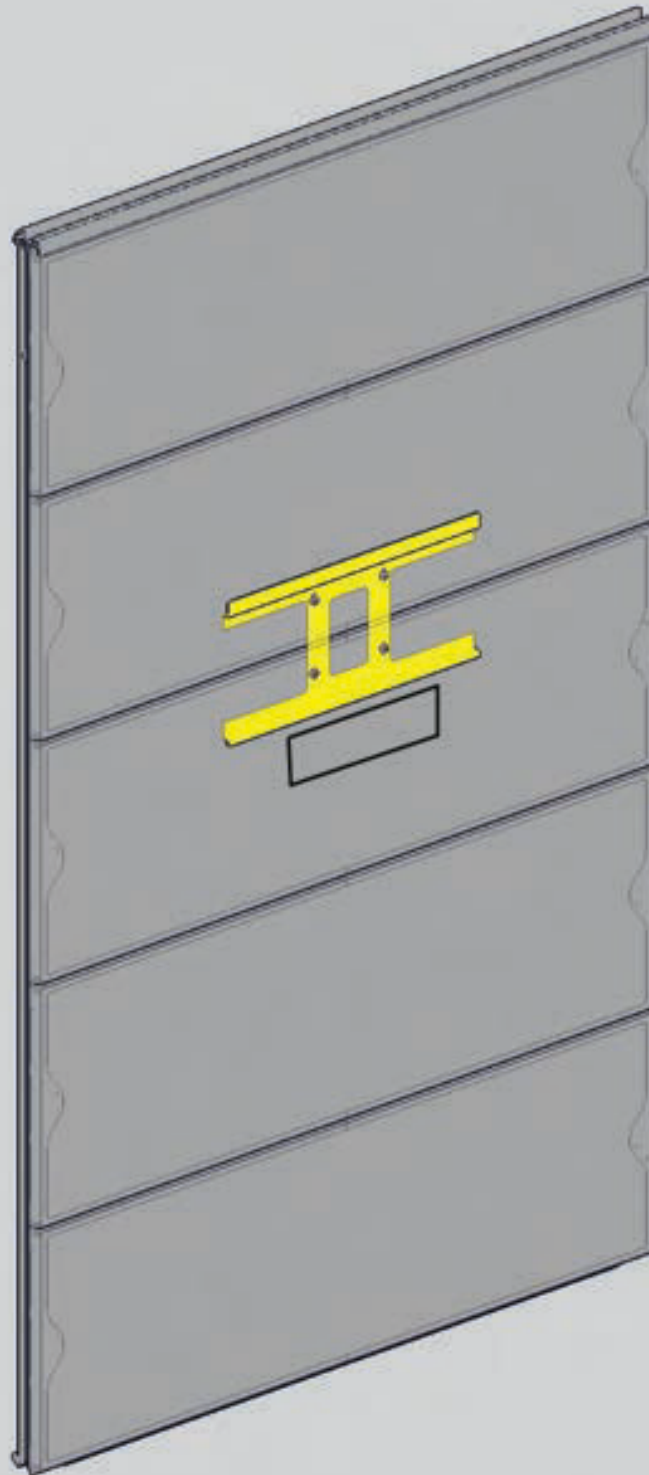


# SCREEN MOUNTED FIXED MONITOR BRACKET

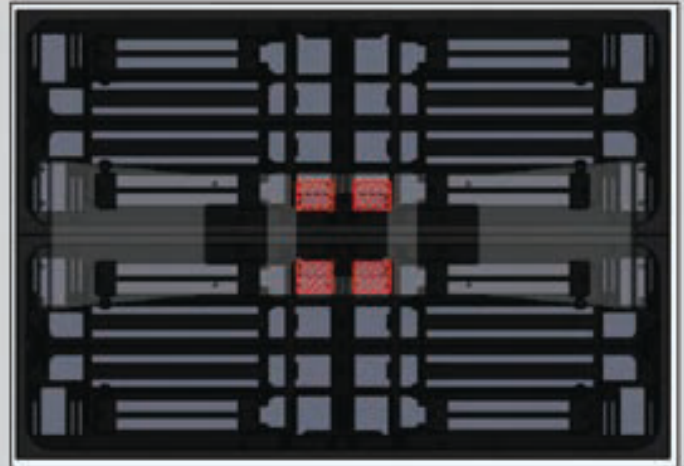
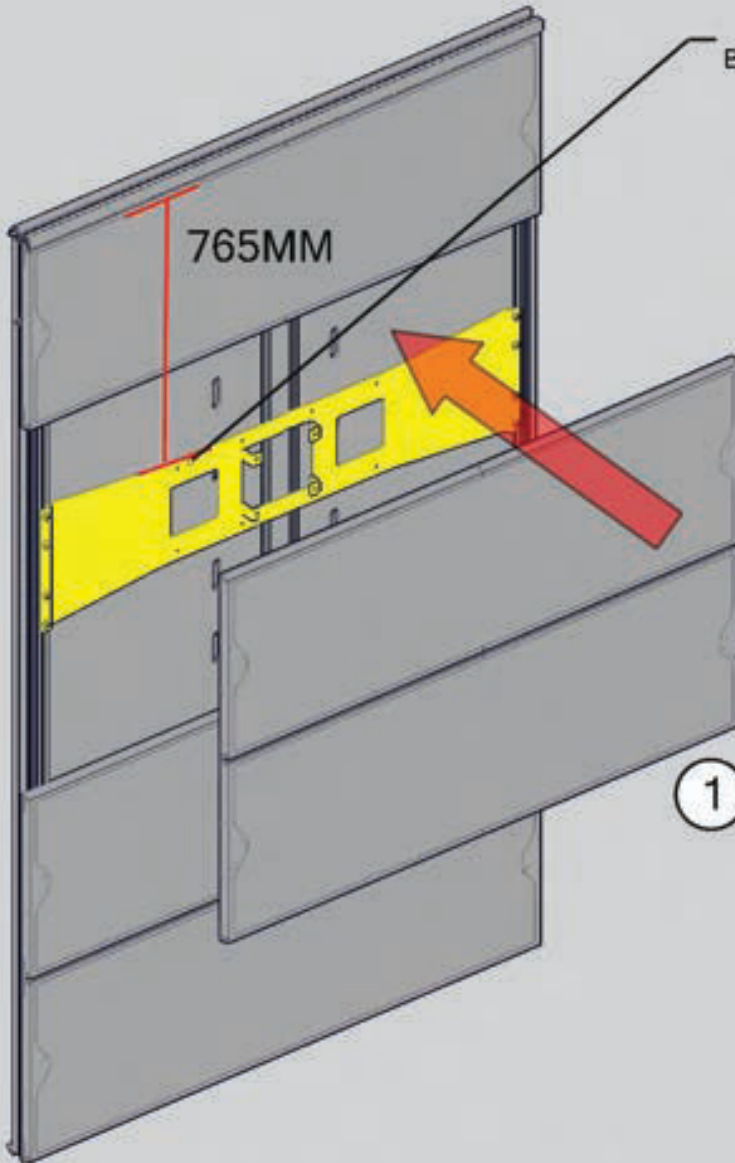


CAUTION:

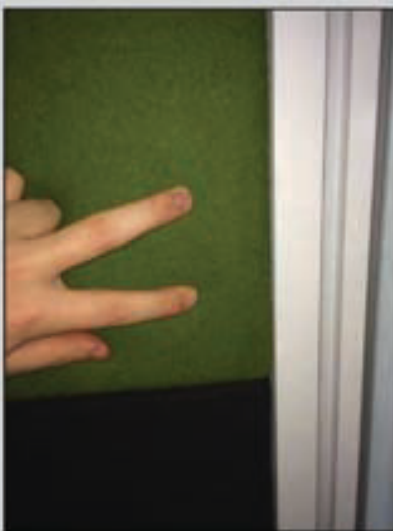


25KG/55LBS LED	25KG/55LBS LCD
<del>PLASMA</del>	

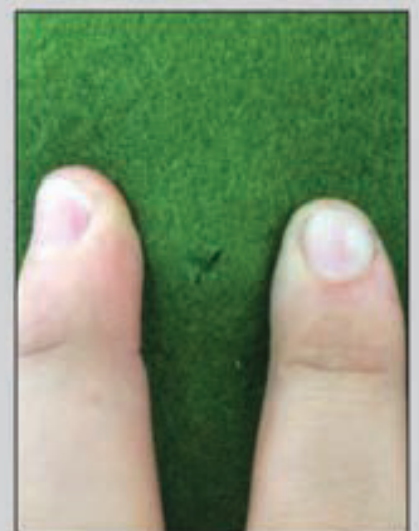
FACTORY FITTED ONTO SCREENS  
BRACKET SHOULD MEASURE 765MM FROM TOP  
OF SCREEN CROSS BAR TO TOP FLAT EDGE OF  
BRACKET (FIXINGS USED: QTY 8 M8 SPRING T-NUTS,  
QTY 8 M8X10 FLANGE BUTTON HEAD SOCKET  
& QTY 8 NUMBER 10 BTN HEAD  
SELF TAP 1/2 INCH WOOD SCREWS.  
NO 5 ALLEN KEY AND POZ I SCREWDRIVER)



- 1 LOCATE THE UPHOLSTERY PANELS OVER THE BRACKET. THERE ARE CUT OUTS IN THE FOAM WHICH WILL FIT OVER THE BRACKET



- 2 LOCATE THE BRACKET FIXING POSITIONS THROUGH THE FABRIC

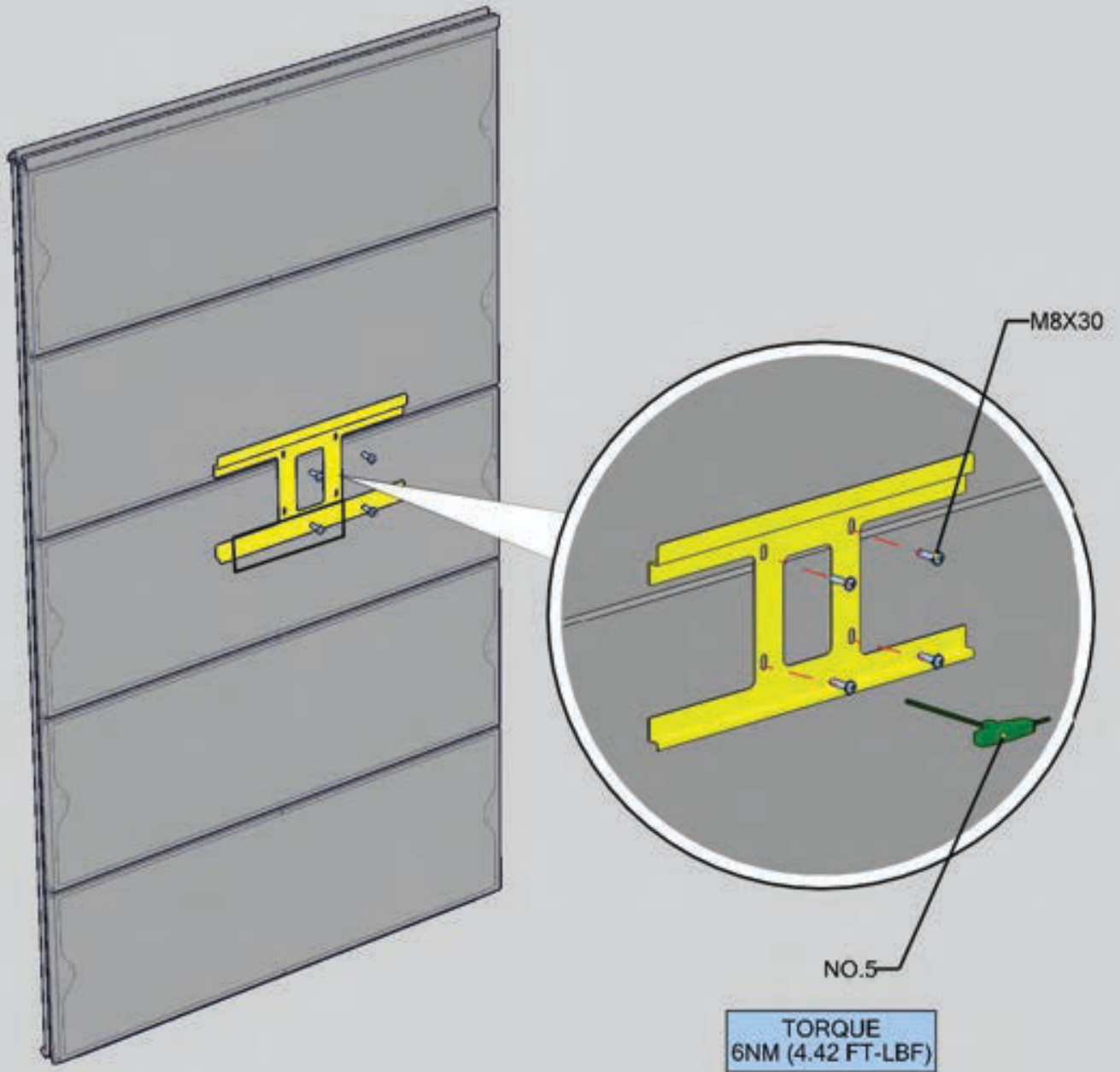


- 3 PIERCE THROUGH THE FABRIC THESE FIXING POSITIONS



ONE PERSON MINIMUM

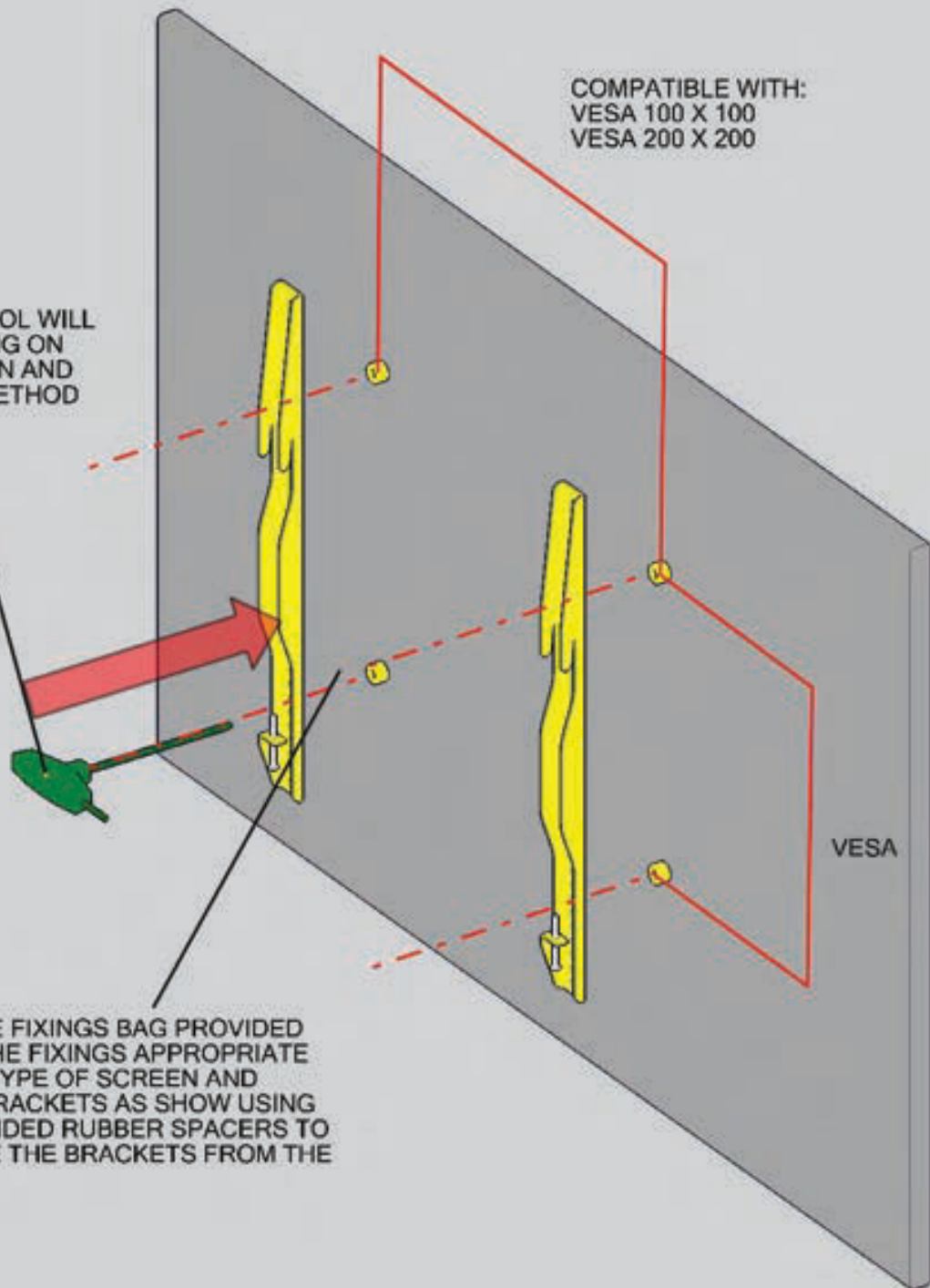
ATTACH THE BRACKETS THROUGH THE PIERCED HOLES IN THE FABRIC INTO THE BRACKET



ONE PERSON MINIMUM

FIXINGS AND TOOL WILL VARY DEPENDING ON TYPE OF SCREEN AND CONNECTION METHOD

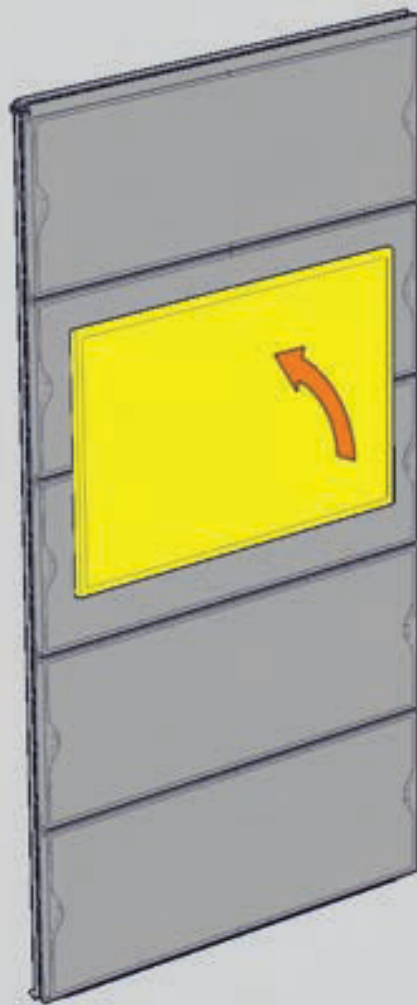
COMPATIBLE WITH:  
VESA 100 X 100  
VESA 200 X 200



USING THE FIXINGS BAG PROVIDED SELECT THE FIXINGS APPROPRIATE FOR THE TYPE OF SCREEN AND ATTACH BRACKETS AS SHOW USING THE PROVIDED RUBBER SPACERS TO SEPARATE THE BRACKETS FROM THE SCREEN

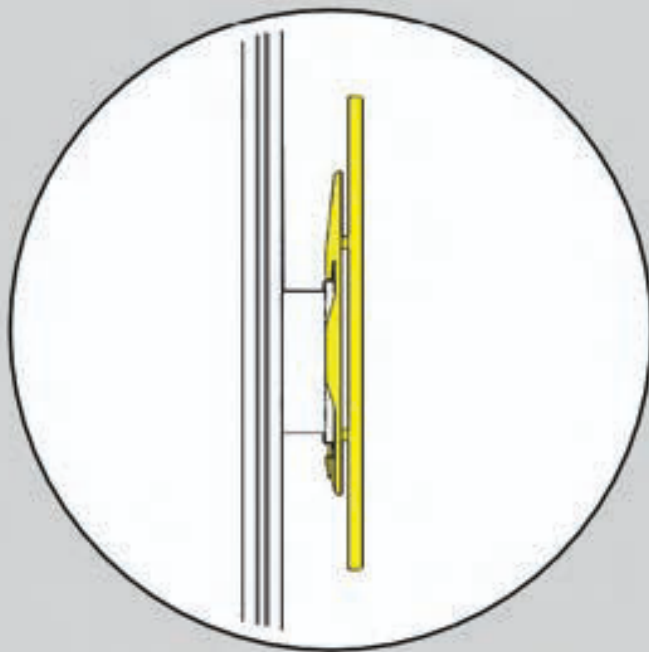


TWO PERSONS MINIMUM

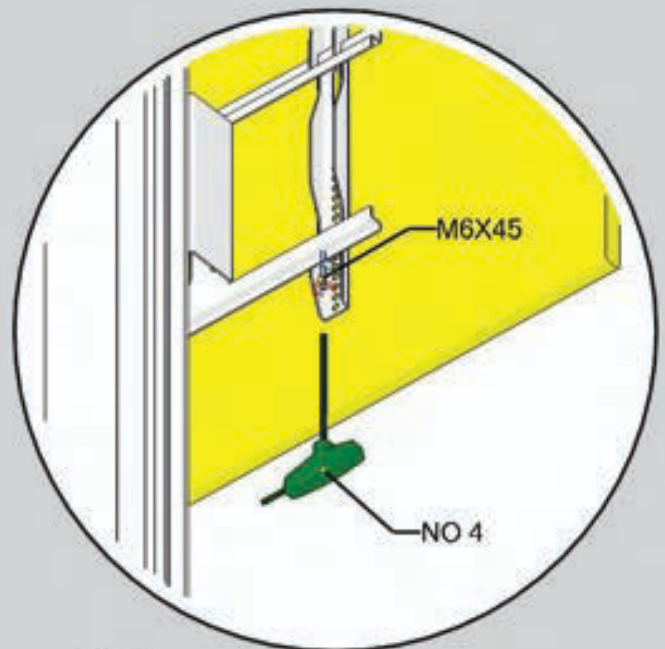


IT IS THE RESPONSIBILITY OF THE CUSTOMER TO MOUNT THE BRACKETS ONTO THE DISPLAY SCREEN

SCREEN MUST BE LOCKED WITH FIXINGS



1 USING 2 PEOPLE, CAREFULLY LIFT THE SCREEN AND HOOK ONTO THE SCREEN MOUNTED BRACKET. ENSURE IT IS FULLY SECURE BEFORE LEAVING



2 LOCK THE BRACKETS TOGETHER USING THE FIXINGS PROVIDED



TWO PERSONS MINIMUM