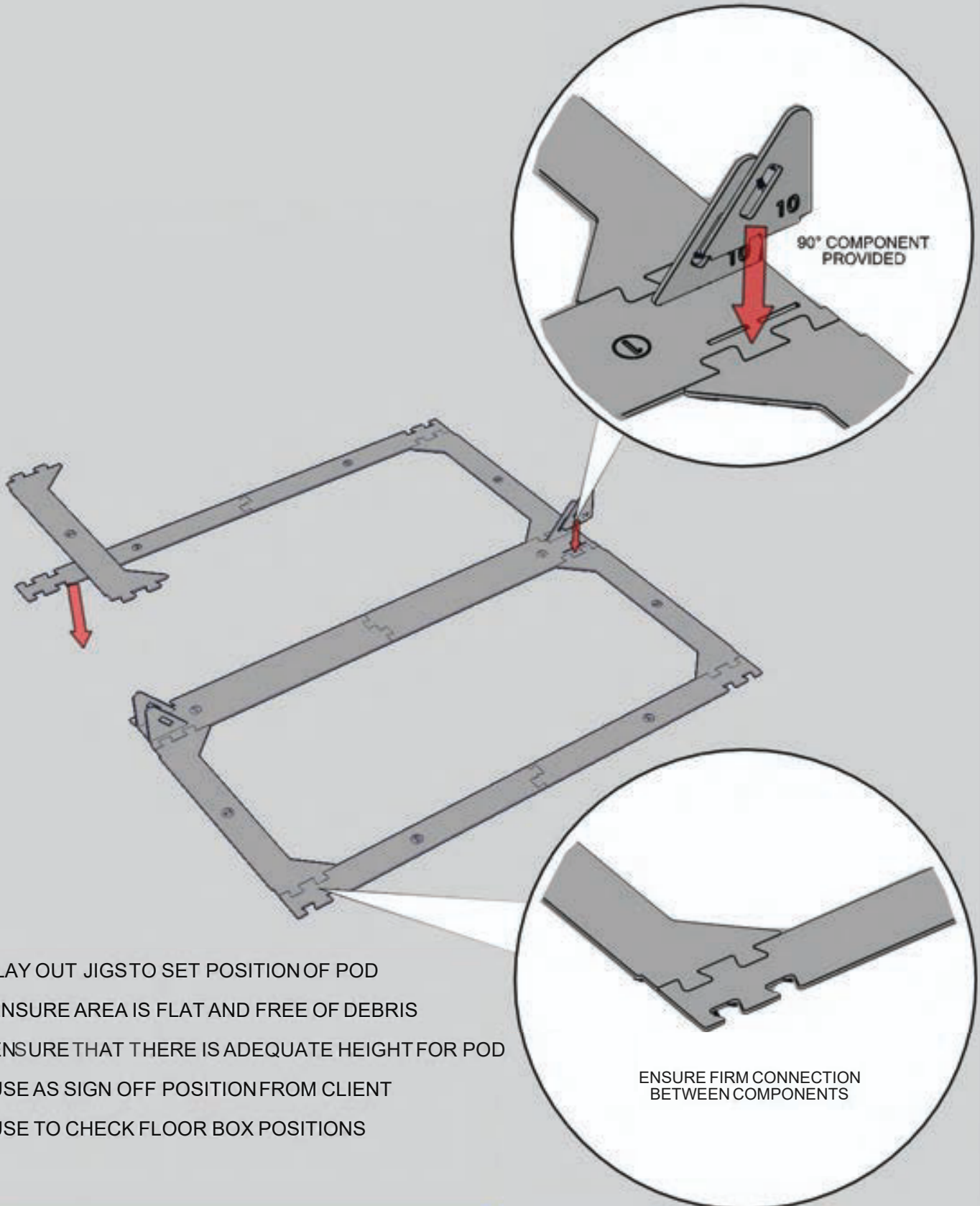


1

ASSEMBLE THE JIGS AS REQUIRED USING THE LAYOUT SHEETS PROVIDED*

*note jig is sold separately to Pod



- LAY OUT JIGS TO SET POSITION OF POD
- ENSURE AREA IS FLAT AND FREE OF DEBRIS
- ENSURE THAT THERE IS ADEQUATE HEIGHT FOR POD
- USE AS SIGN OFF POSITION FROM CLIENT
- USE TO CHECK FLOOR BOX POSITIONS



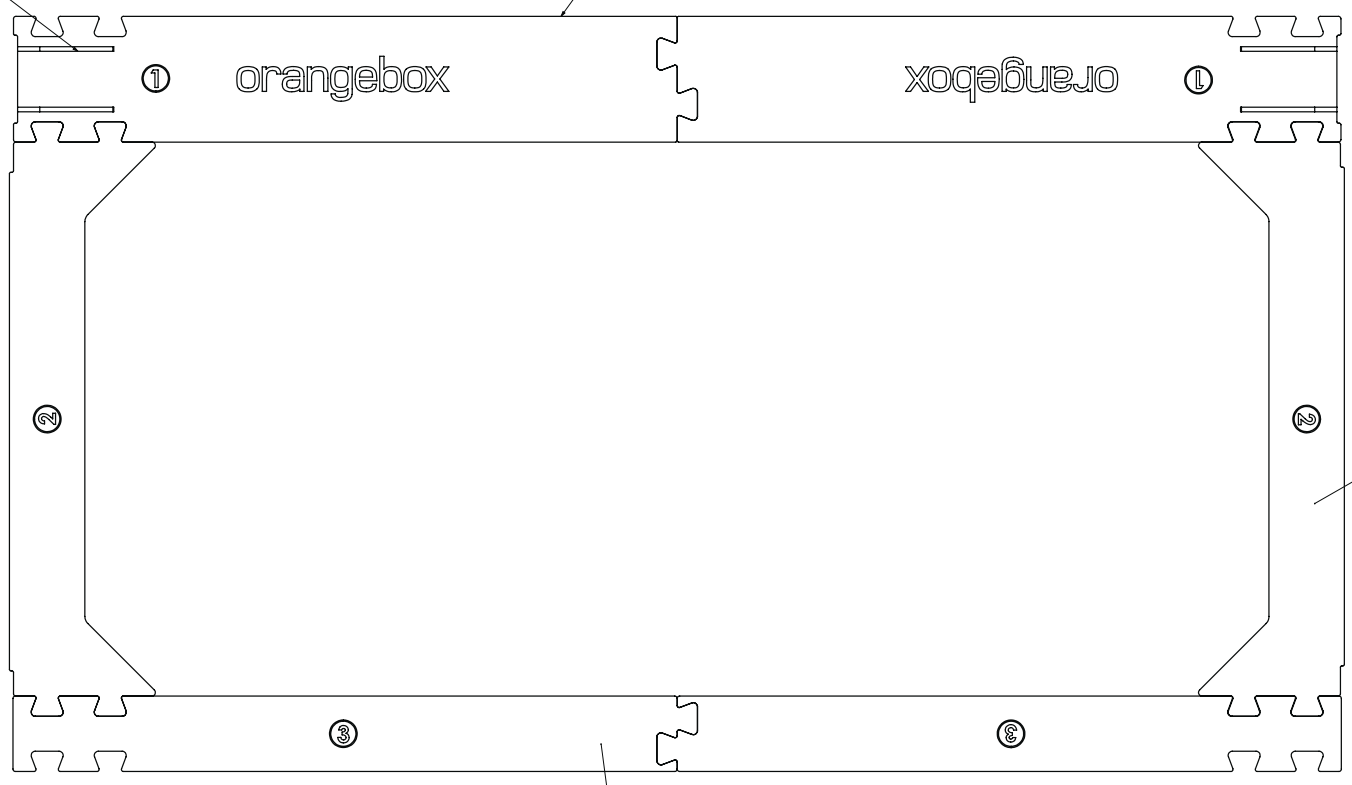
ONE PERSON MINIMUM

SEE THE KNACK PAGE 10.3

FINALLY, USE THE AIR-JIG-008
HOOP SET SQUARE PARTS TO
CHECK THE VERTICAL ANGLE OF THE
HOOP UPRIGHTS

4 4x

1 2x OPEN AND CORRECTLY POSITION
THE HOOP ALIGNMENT JIG
PARTS FIRST (NUMBERED 1)



2 2x BUILD THE STRAIGHT
CONNECTOR PARTS
(NUMBERED 2) AROUND
THE CENTRAL HOOP
ALIGNMENT JIG

3 2x COMPLETE THE OVERALL JIG
BY CONNECTING THE FRONT
ALIGNMENT PARTS (NUMBERED 3)

KIT CONTENTS:
2 X AIR-JIG-001
2 X AIR-JIG-002
2X AIR-JIG-003
2 X AIR-JIG-008

FINALLY, USE THE AIR-JIG-008 HOOP SET SQUARE PARTS TO CHECK THE VERTICAL ANGLE OF THE HOOP UPRIGHTS

4

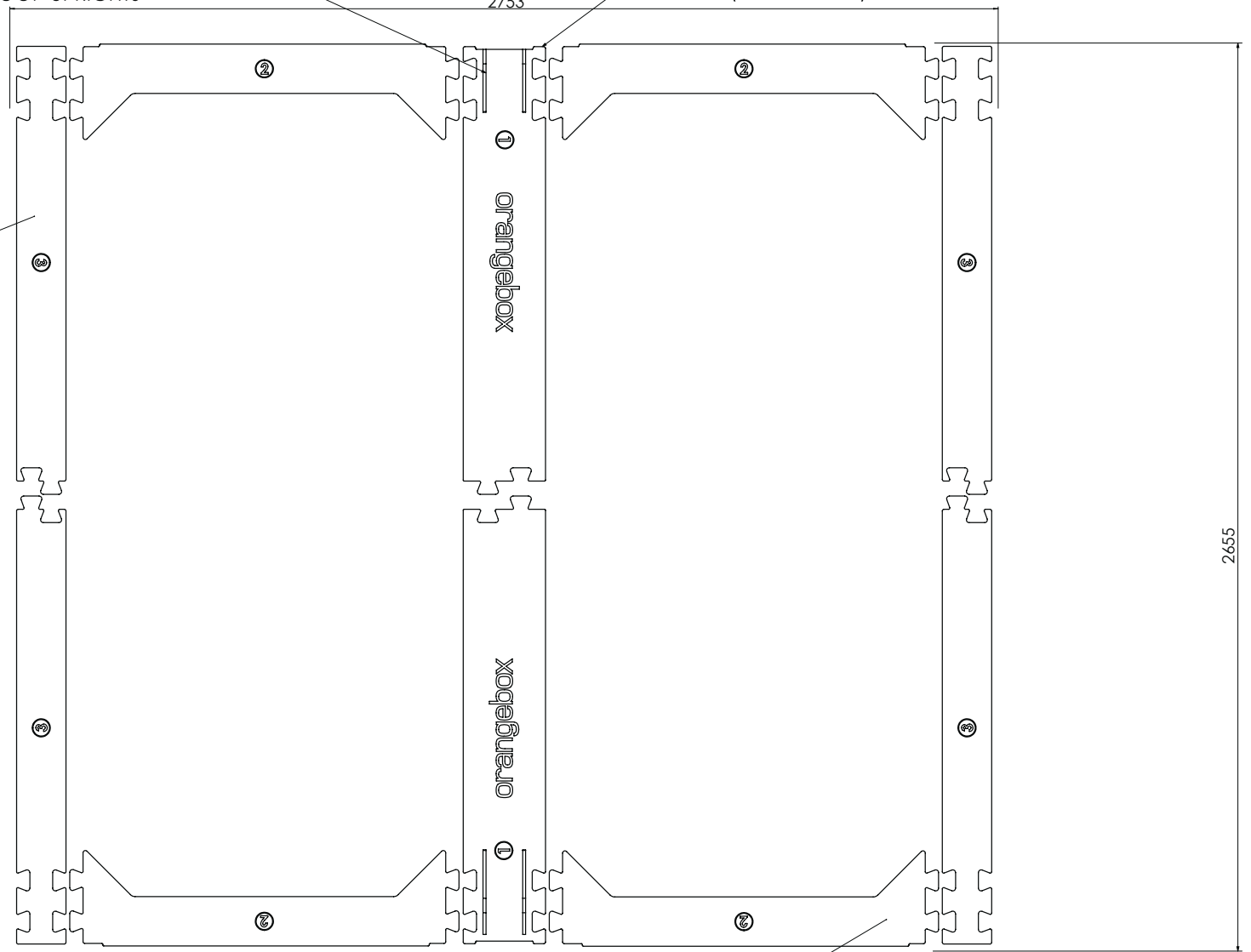
OPEN AND CORRECTLY POSITION THE HOOP ALIGNMENT JIG PARTS FIRST (NUMBERED 1).

1 2x

2753

3 4x

COMPLETE THE OVERALL JIG BY CONNECTING THE FRONT/ REAR ALIGNMENT PARTS (NUMBERED 3).



2655

KIT CONTENTS:
2 X AIR-JIG-001
4 X AIR-JIG-002
4 X AIR-JIG-003
2 X AIR-JIG-008

2 4x

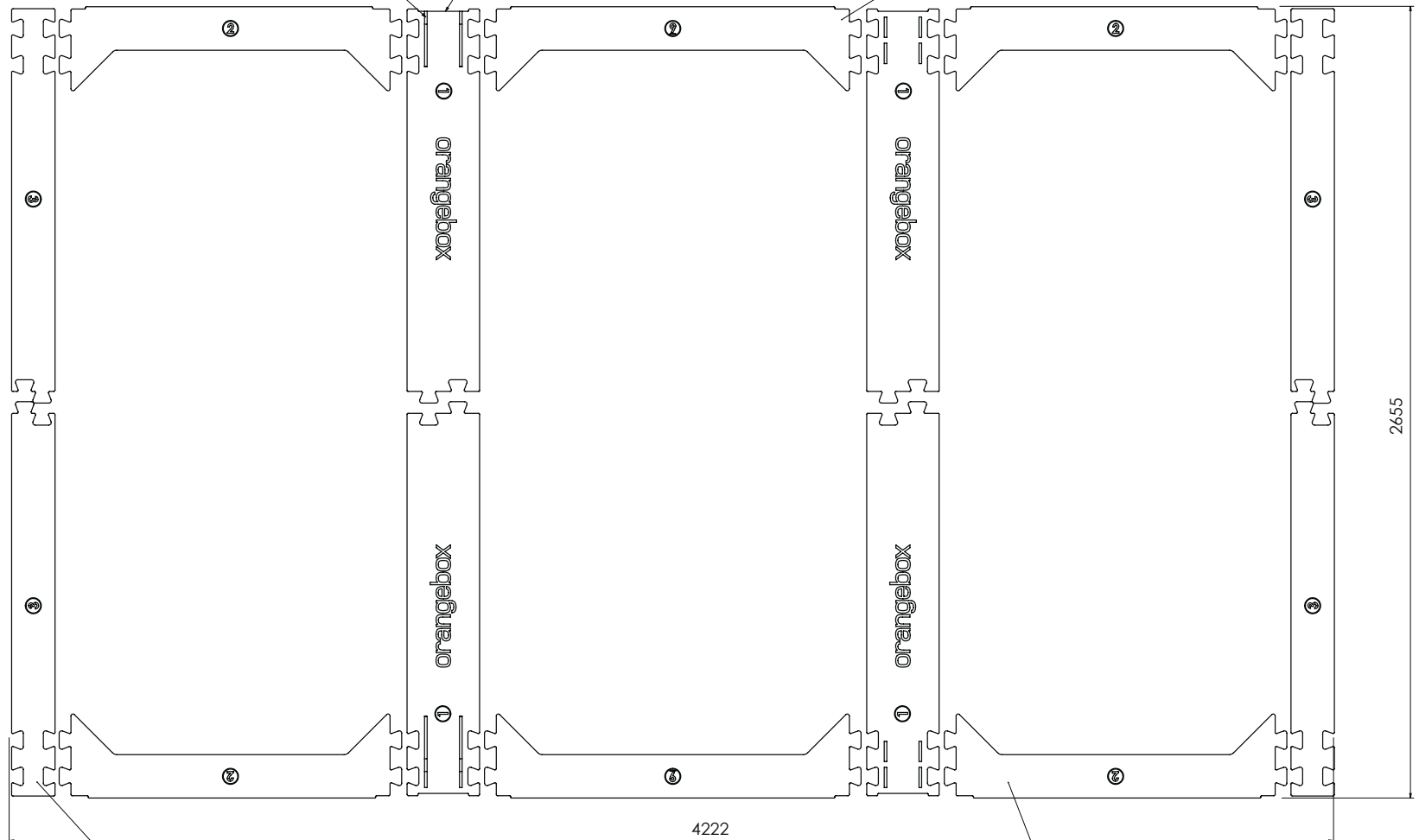
BUILD THE STRAIGHT CONNECTOR PARTS (NUMBERED 2) AROUND THE CENTRAL HOOP ALIGNMENT PART JIG

SQUARE POD ALIGNMENT JIG

FINALLY, USE THE AIR-JIG-008 HOOP SET SQUARE PART TO CHECK THE VERTICAL ANGLE OF THE HOOP UPRIGHTS.

OPEN AND CORRECTLY POSITION THE HOOP ALIGNMENT JIG PARTS FIRST (NUMBERED 1).

CONNECT THE TWO HOOP JIGS TOGETHER BY USING THE INTERMEDIATE CONNECTORS (NUMBERED 9).



KIT CONTENTS:
 4 X AIR-JIG-001
 2 X AIR-JIG-007
 4 X AIR-JIG-002
 4 X AIR-JIG-003
 4 X AIR-JIG-008

CONNECT THE STRAIGHT FRONT/ REAR ALIGNMENT JIGS (NUMBERED 3 & 4).

BUILD THE STRAIGHT CONNECTOR PARTS AROUND THE TWO HOOP JIGS (NUMBERED 2).

FINALLY, USE THE HOOP SET SQUARE PART TO CHECK THE VERTICAL ANGLE OF THE HOOP UPRIGHTS (NUMBERED 10).

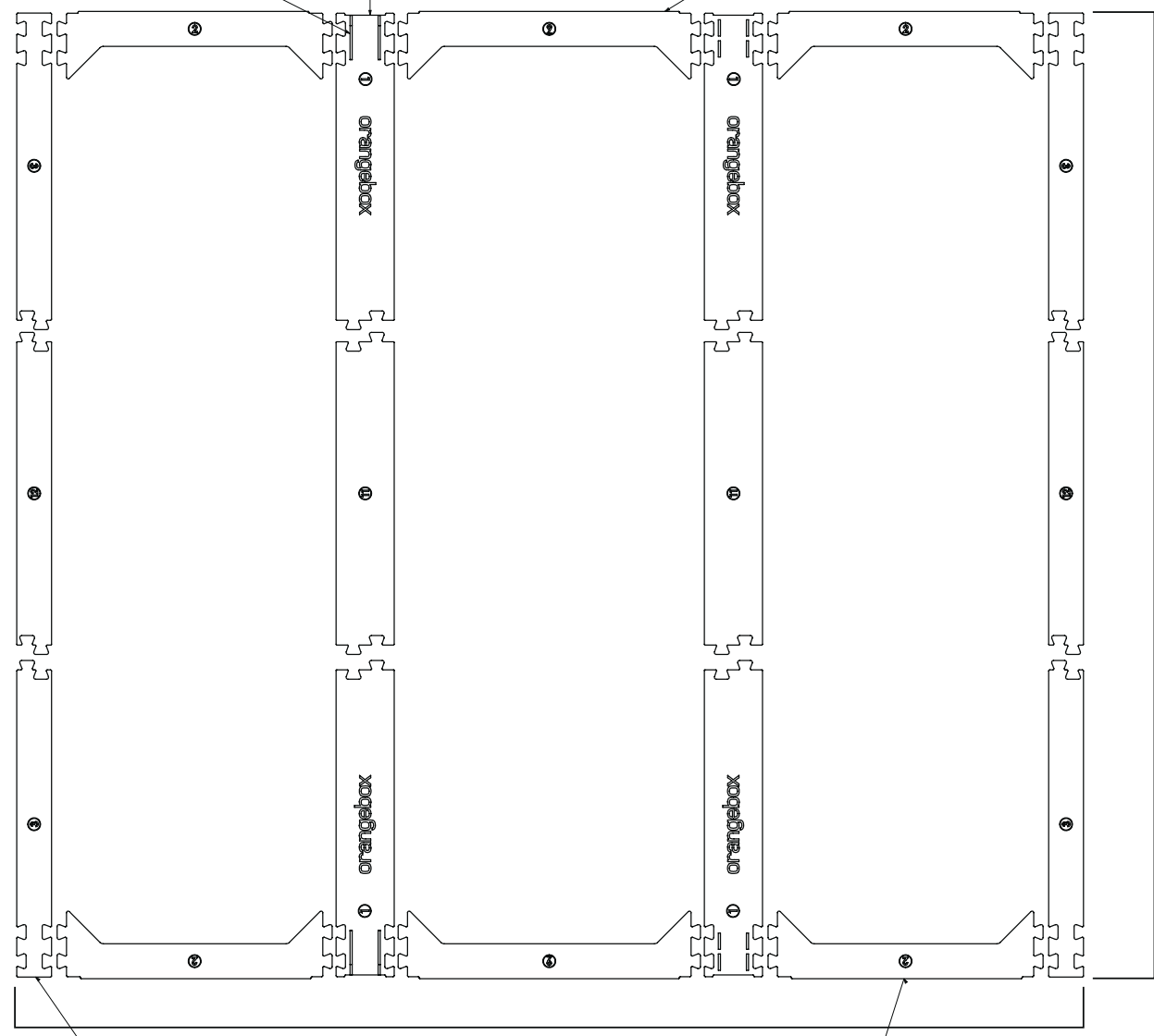
5

1

6x OPEN AND CORRECTLY POSITION THE HOOP ALIGNMENT JIG PARTS FIRST (NUMBERED 1 & 11).

2

2x CONNECT THE TWO HOOP JIGS TOGETHER BY USING THE INTERMEDIATE CONNECTOR PARTS (NUMBERED 9).



3945

4222

4

4x CONNECT THE STRAIGHT FRONT/ REAR ALIGNMENT JIGS (NUMBERED 3 & 12).

3

4x BUILD THE STRAIGHT CONNECTOR PARTS AROUND THE TWO HOOP JIGS (NUMBERED 2).

- KIT CONTENTS:
- 4 X AIR-JIG-001
 - 2 X AIR-JIG-009
 - 2 X AIR-JIG-007
 - 4 X AIR-JIG-002
 - 4 X AIR-JIG-003
 - 2 X AIR-JIG-010
 - 4 X AIR-JIG-008

3X3 SQUARE POD ALIGNMENT JIG

REVO