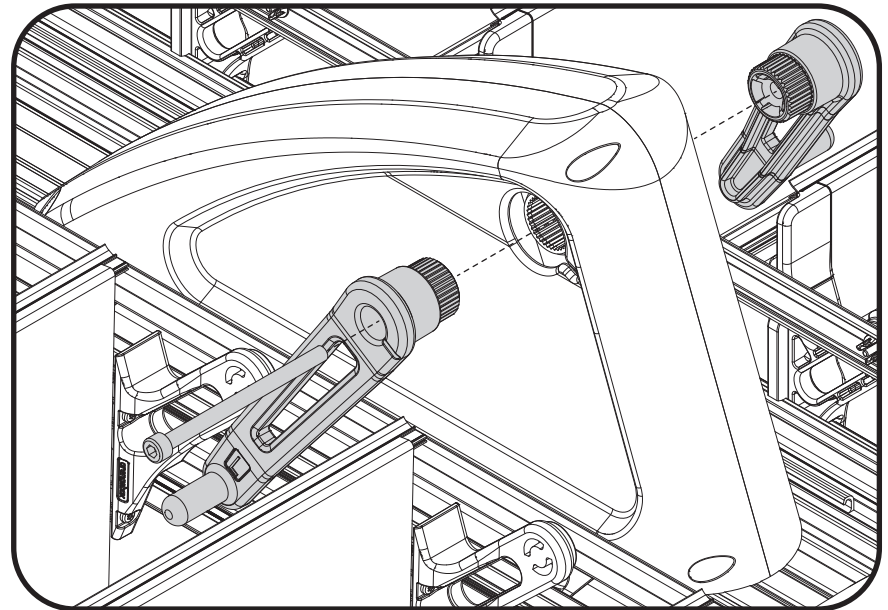


Second Unit (Back Side)



Dual-Sided Mechanism

