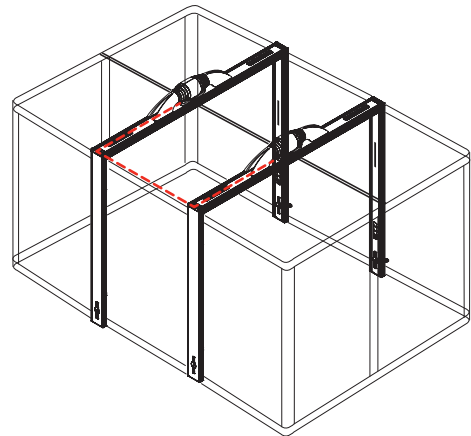


# Data Connection

## Interconnecting Service Hoops

A simple 3.5m RJ45 comms cable can connect hoops together to allow all lights and fans to operate at the same time from one user panel.



## Connecting Service Hoop to the Building

