



## Actuator Set Up: "Y=0" Switch

Switch "Y = 0" when viewed on ORANGE body side of actuator MUST be set to LEFT as shown.

# Actuator Set Up: Manual Switches

- Centre and RH controls on Actuator are for manual operation only and position is irrelevant to set up. These are automatically overridden when operational.





Following Slides are Additional  
Checks for the Field



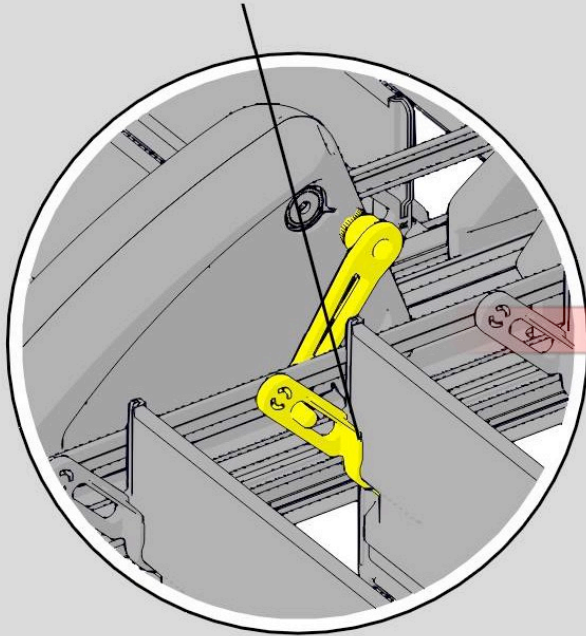
15 Adjusting the Opening Roof.

**When:** Once operational, loosen the actuator bracket and push towards the middle of the pod until all roof blades are firmly closed, then re-tighten.  
**Why:** Gaps may be visible between the roof blades when fully closed

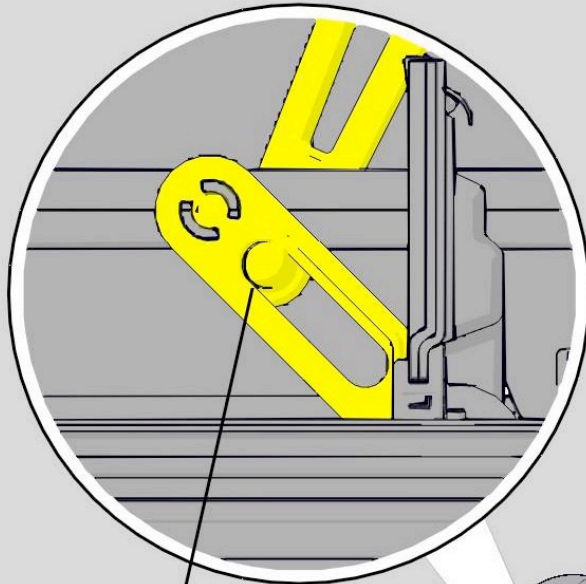
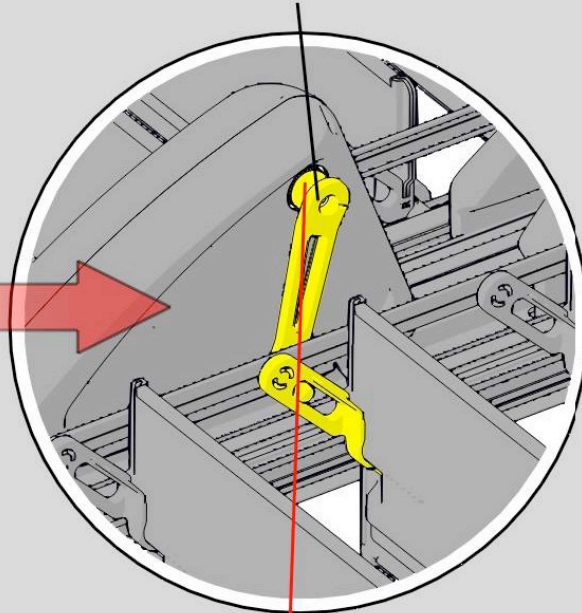


Push into the center of the Pod to reduce the roof blade gaps.

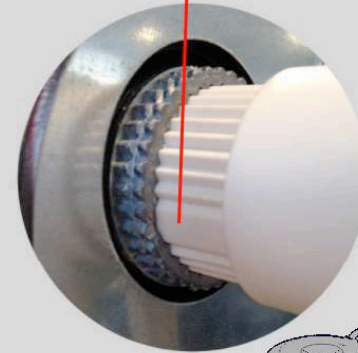
① LOCATE ARM INTO LINKAGE MOULDING FIRST. NOTE THAT THE 'L' OR 'R' MATCH UP ON BOTH THE COWEL AND THE ARM



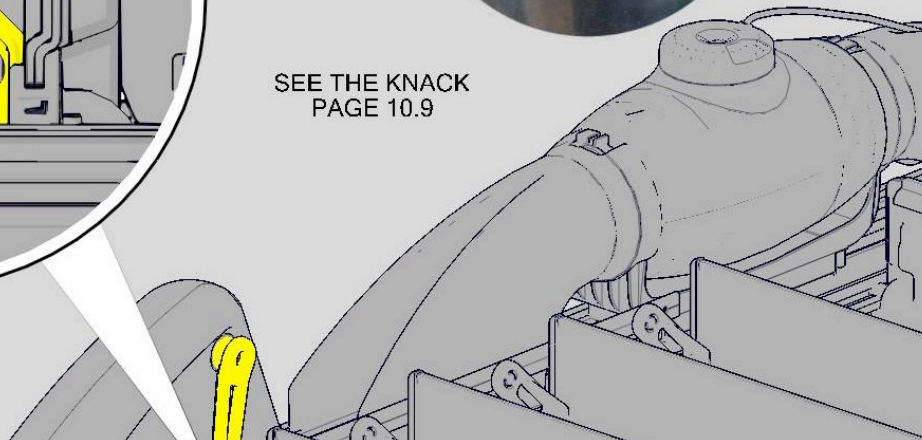
② THEN SWING ARM INTO POSITION AND LOCATE AS SHOWN. ENSURE BOTH FLAT AREAS LOCATE AS PER THE PHOTO BELOW



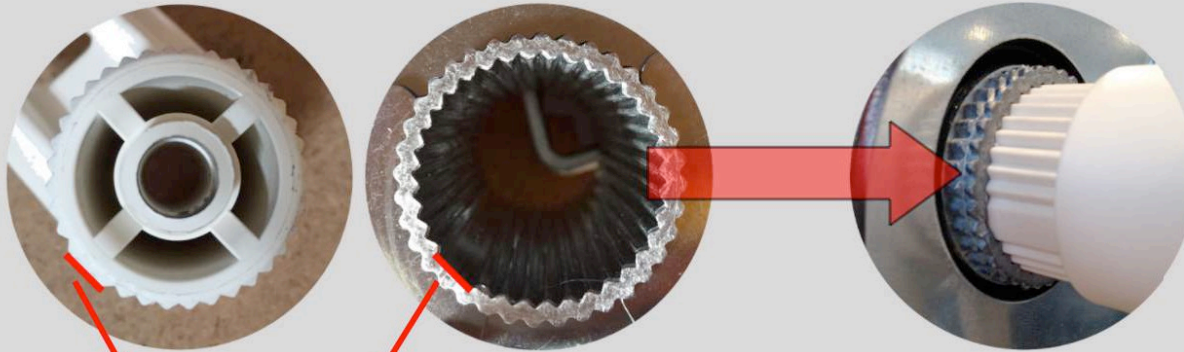
ENSURE ARM IS PUSHED TO TOP OF SLOT



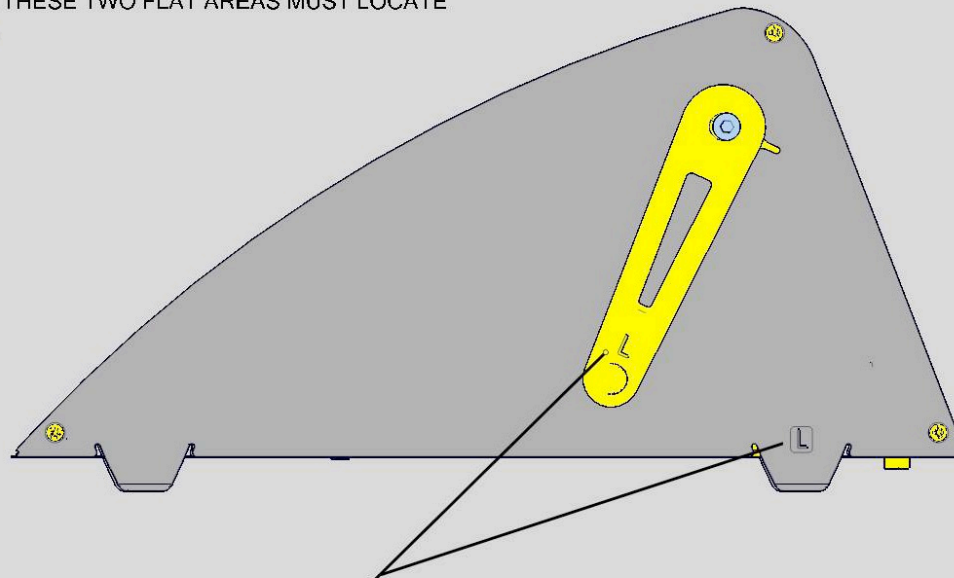
SEE THE KNACK PAGE 10.9



FIT ACTUATOR ARMS TEMPORARILY TO CHECK ROOFS BEFORE ADDING COWLS



THESE TWO FLAT AREAS MUST LOCATE



NOTE THAT THE 'L' OR 'R' MATCH  
UP ON BOTH THE COWL AND  
THE ARM WHEN THE COWLS ARE PUT ON.  
DO NOT PUT COWLS ON UNTIL AFTER NEXT STAGE